

## WHISPER MULTIPLES - WSM-AIC - INSTALLATION INSTRUCTIONS

**READ AND FOLLOW ALL SAFETY INSTRUCTIONS!  
SAVE THESE INSTRUCTIONS AND DELIVER TO OWNER AFTER INSTALLATION.**

### ⚠ WARNING: RISK OF ELECTRIC SHOCK

- Before installation or servicing **DISCONNECT POWER BY SHUTTING OFF THE CIRCUIT** breakers both to the outlet box and to its associated wall switch.
- Installation and service of luminaires should be performed by a qualified licensed electrician in accordance with all local and National Electrical Codes.
- Do not install damaged product.
- Verify that supply voltage is correct by comparing it with the luminaire label information.
- All wiring connections should be capped with UL approved wire connectors.

### ⚠ WARNING: RISK OF INJURY

- Allow luminaire to cool before servicing.
- Follow all manufacturer's warning and restrictions for driver type, mounting locations, replacement and recycling.
- Wear safety glasses and gloves when installing, maintaining or servicing.
- Avoid direct eye exposure to the light source while it is on.

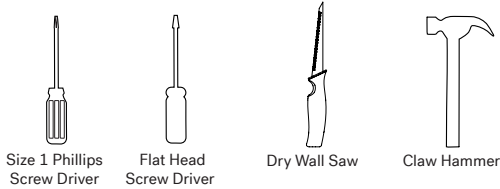
### ⚠ WARNING: RISK OF FIRE

- Do not separate any other wires that may be in the box.
- Do not damage the insulation of existing wiring.
- In regular circumstances the **BLACK** wire will be the "Hot" lead and the **WHITE** wire will be the "Neutral" or "Common" lead. A **GREEN** or **BARE COPPER** wire is the "Ground." In older buildings, it is always good practice to reconfirm the polarity of the wiring.

### ⚠ RISK OF PRODUCT DAMAGE

- Never connect components under load.
- Do not touch the yellow surface of the LED as it may damage the light engine.

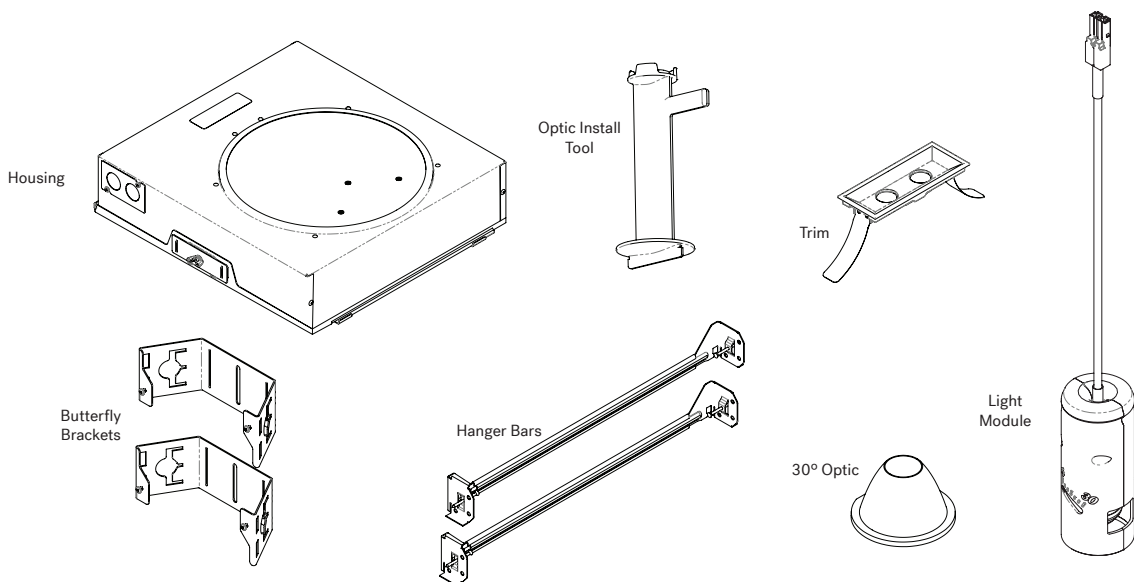
### TOOLS REQUIRED



### ACCESSORIES REQUIRED



### WHAT'S IN THE BOX



## WHISPER MULTIPLES - WSM-AIC - INSTALLATION INSTRUCTIONS

### PREPARATION

#### Measure Before You Cut

Consult the ceiling cutout table below to determine your application ceiling cutout requirements.

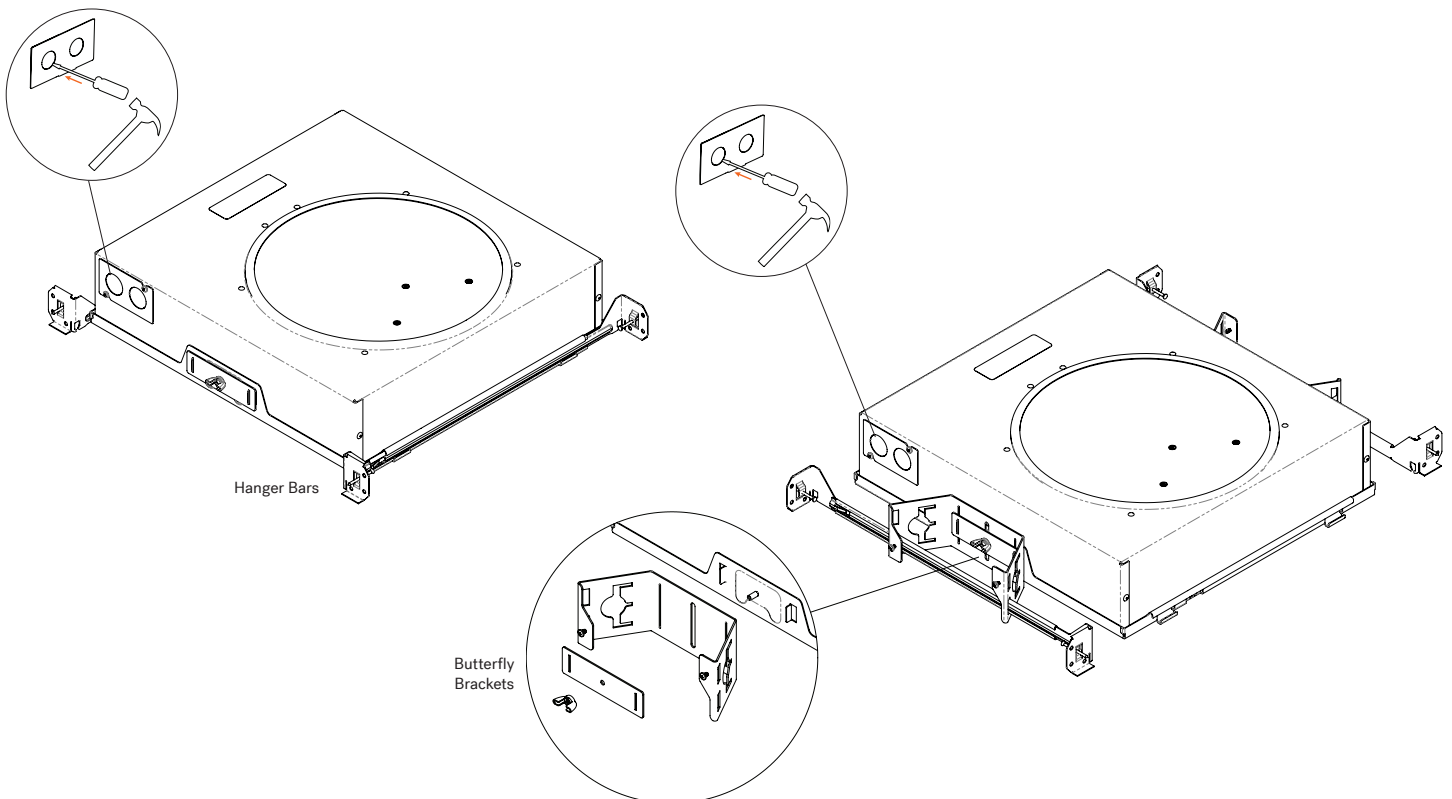
HEAD TYPE	FLANGED/WOOD CEILING	TRIMLESS
2	4-5/8 x 1-11/16	4-7/8 x 2
3	6-3/8 x 1-11/16	6-1/2 x 2
4	8-1/8 x 1-11/16	8-5/16 x 2

#### Determine Housing Mounting Method

- **Standard hanger bars:** Secure the housing to ceiling joists or suspended ceiling frames (T-bars). Install the hanger bars in the frame slots, oriented as shown.
- **Butterfly Brackets:** Secure the housing using C-channel or conduit. To install the brackets, remove the wingnut and lock plate, mount the brackets on the housing, then re-attach the lock plate and wing nut. Adjust the vertical position of the housing by sliding the bracket up or down. Tighten the wingnut to lock the vertical position.

#### Remove Knock-Out(s)

Remove knock-out(s) where needed with a flat-head screwdriver and hammer.

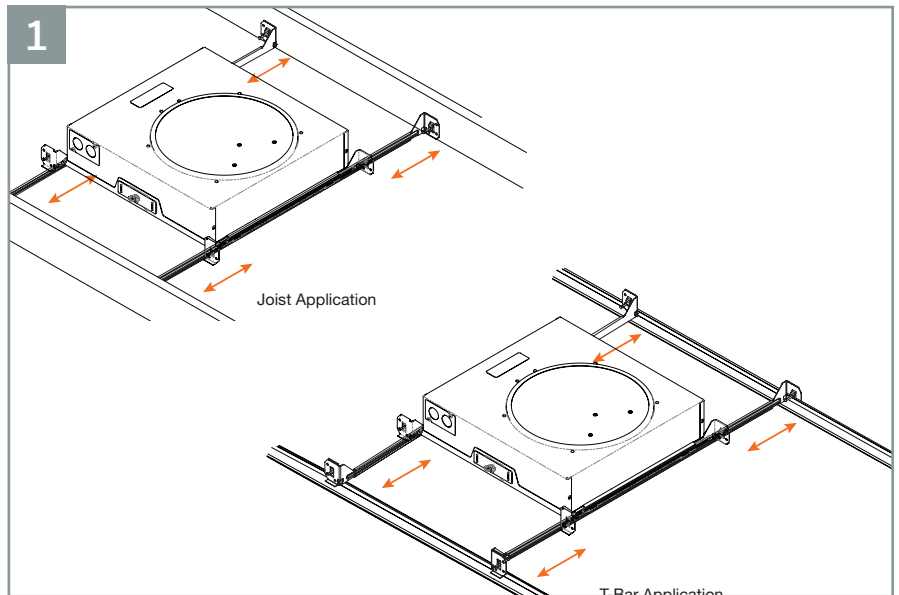


## WHISPER MULTIPLES - WSM-AIC - INSTALLATION INSTRUCTIONS

### INSTALLATION

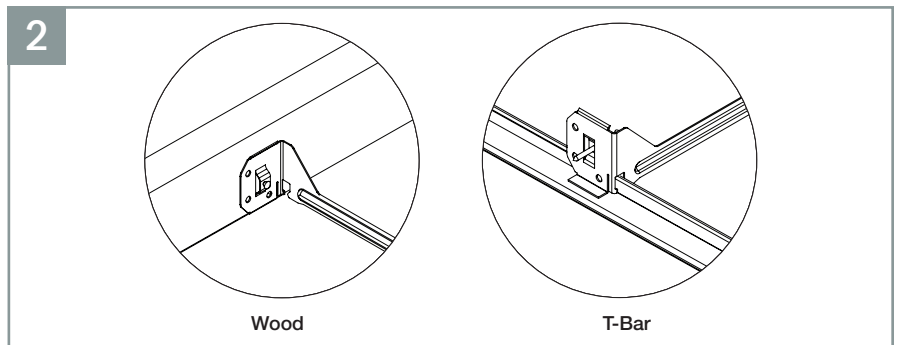
#### STEP 1 - Hanger Bar Adjustment

- Adjust the hanger bars to fit between joists (For suspended ceiling, remove the required tile).



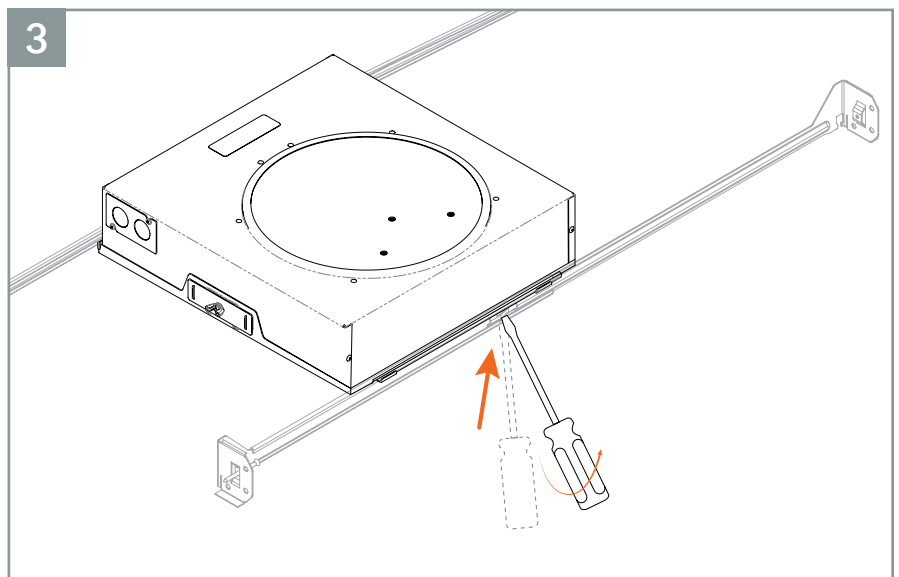
#### STEP 2 - Secure Hanger Bars

- For wood joists, line up the bottom of the hanger bars to the bottom of the joists and nail the ends of the hanger bars to the joists.
- For suspended ceiling (T-Bar), snap the hanger bars in place on the suspended ceiling T-Bar.



#### STEP 3 - Secure System

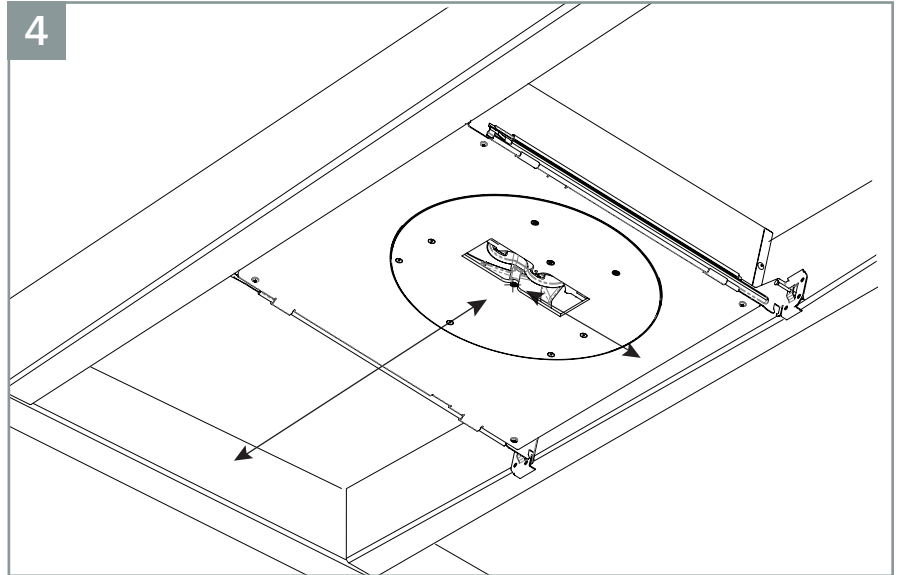
- Slide the housing to the desired position and use a flat head screwdriver to tilt the locking tabs into the hanger bars until system is secure.



## WHISPER MULTIPLES - WSM-AIC - INSTALLATION INSTRUCTIONS

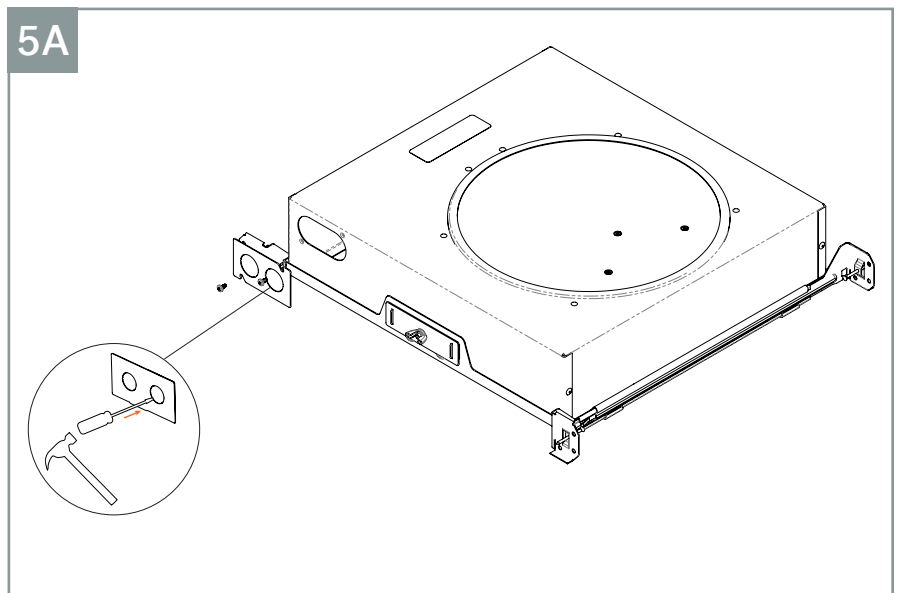
### STEP 4 - Position Measurement

- Measure and mark the location of the pan hole from wood joists/T-Bars.



### STEP 5A - Electrical Connection

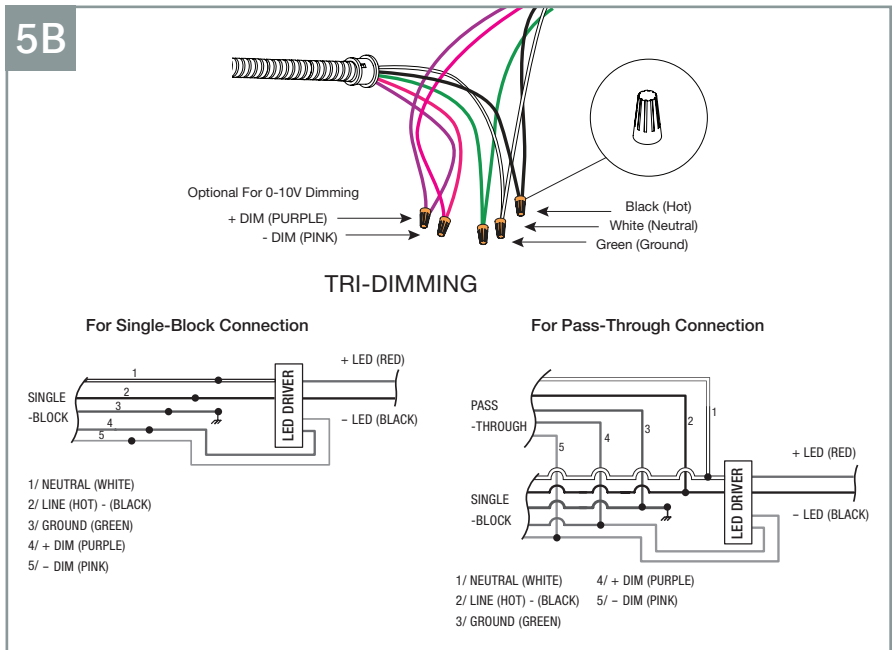
- If not already completed, use a flathead screwdriver and hammer to punch out knock-out(s).
- Remove Access panel using a #1 Phillips screwdriver.
- Using a UL listed conduit connector secure connector to the knock-out opening, passing supply wires through connector.



## WHISPER MULTIPLES - WSM-AIC - INSTALLATION INSTRUCTIONS

### STEP 5B – Wiring Diagrams

- Connect supply wires using approved wire nuts to the Driver using the wiring diagrams shown.
- Reattach access panel.



### For Remote Wiring

**WARNING**

TWO LUMINAIRES SHALL NOT HAVE MORE THAN 19W (500mA @ 38VDC) SUPPLIED

THREE LUMINAIRES SHALL NOT HAVE MORE THAN 28.5W (750mA @ 38VDC) SUPPLIED

FOUR LUMINAIRES SHALL NOT HAVE MORE THAN 28.5W (750mA @ 38VDC) SUPPLIED

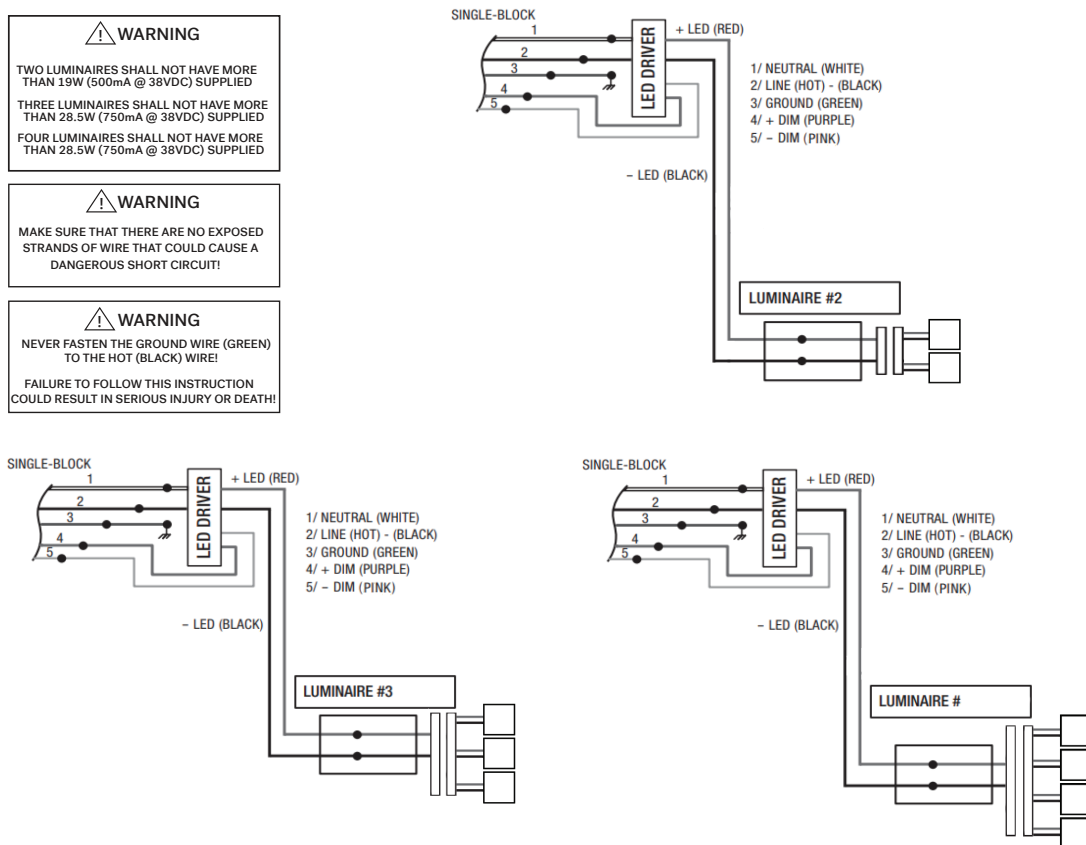
**WARNING**

MAKE SURE THAT THERE ARE NO EXPOSED STRANDS OF WIRE THAT COULD CAUSE A DANGEROUS SHORT CIRCUIT!

**WARNING**

NEVER FASTEN THE GROUND WIRE (GREEN) TO THE HOT (BLACK) WIRE!

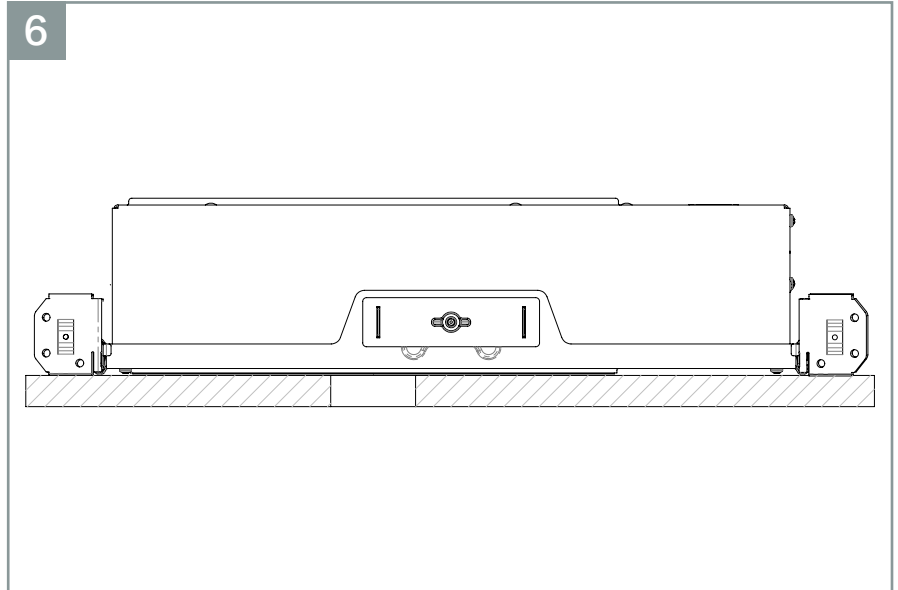
FAILURE TO FOLLOW THIS INSTRUCTION COULD RESULT IN SERIOUS INJURY OR DEATH!



## WHISPER MULTIPLES - WSM-AIC - INSTALLATION INSTRUCTIONS

### STEP 6 – Ceiling Cutout & Installation Ceiling or Tile Installation

- Cut ceiling hole at the pre-measured location using a dry wall saw or speed router to the size indicated within the "Ceiling Cutout Table." on p. 2.
- Attach ceiling or tile ensuring the ceiling hole aligns with the luminaire opening.

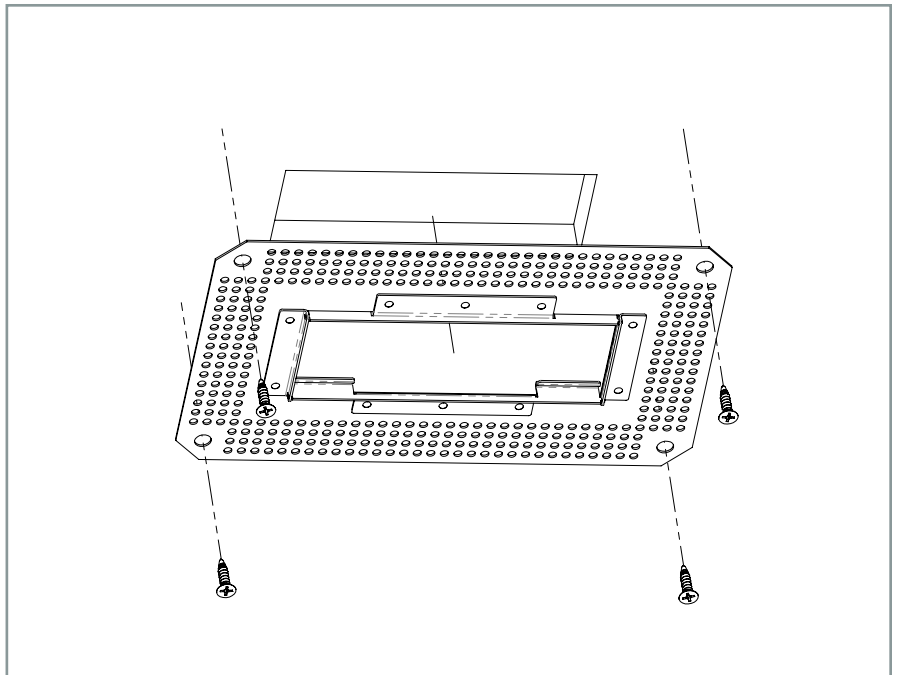


### For Trimless

- Ensure to attach the mud guard before mudding (four screws are supplied).
- With joint knife apply mud to the plate. Ensure no mud goes beyond the center rim.
- With a block sander smooth out bumps or unevenness. Repeat until ceiling is smooth.
- Paint ceiling.

### Wood Ceiling Trimless

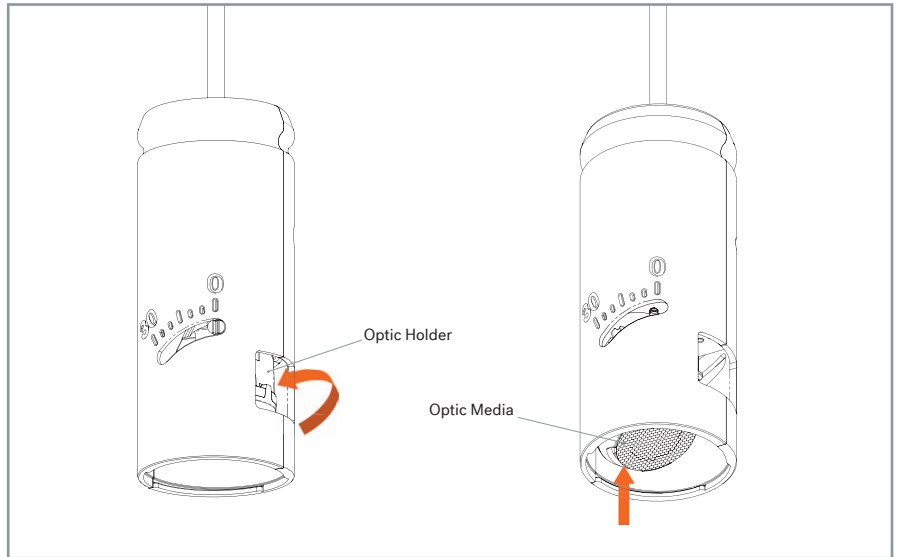
- Wood ceiling trimless uses same installation method as standard ceiling or tile installation - except with just the reflector - no trim.



## WHISPER MULTIPLES - WSM-AIC - INSTALLATION INSTRUCTIONS

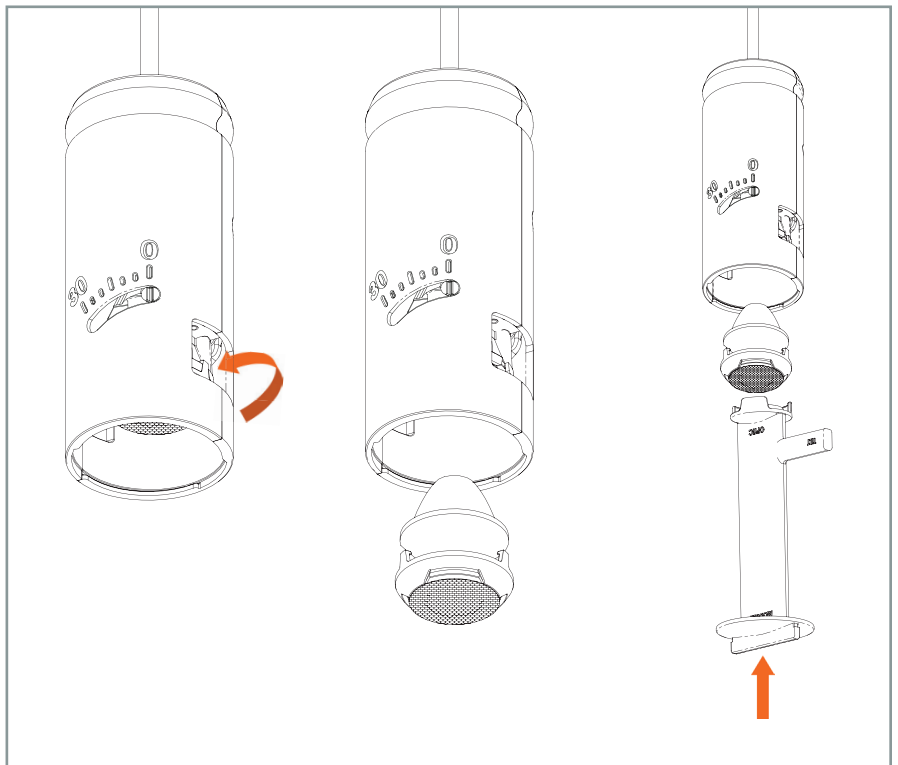
### Adjusting Tilt

- Ensure a Trim is not attached to Light Module.
- To tilt away from 0°, push the optic holder away from the 0° mark.
- To tilt towards 0°, push up on the optic media toward the 0° mark.



### Changing SilentVu™ Optic Lens (Before or After Installation)

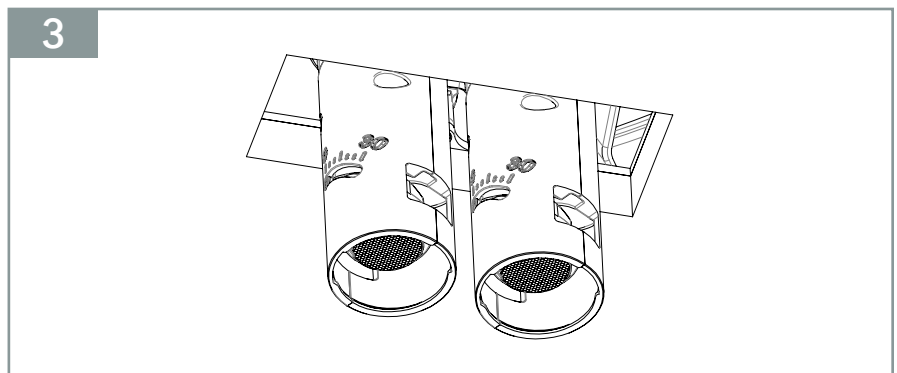
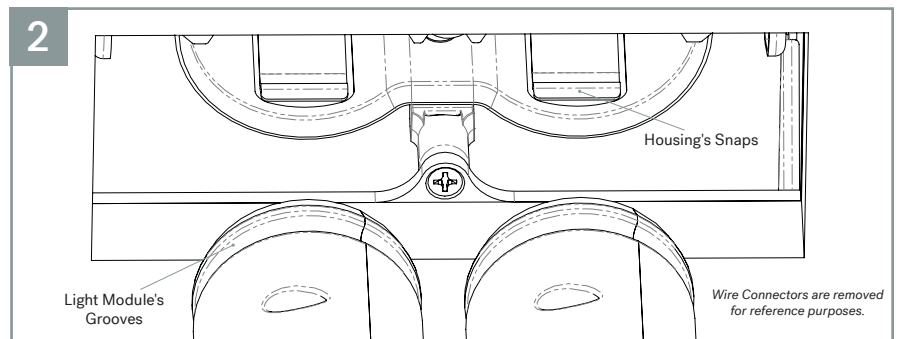
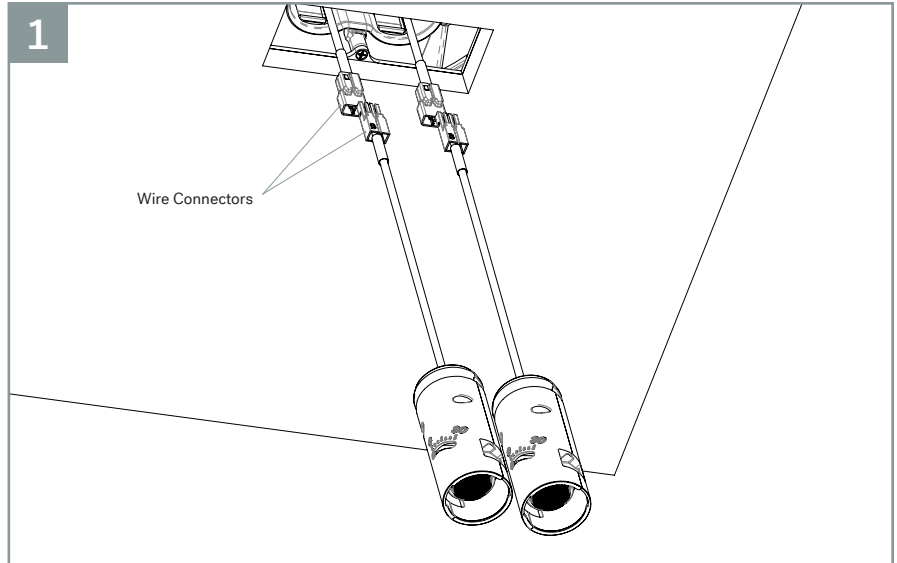
- Clip off optic media holder to remove/replace optic.
- When assembling ensure optic is secured to the media and optic install tool.
- Align the 3x tabs of the optic media to the optic holder and clip on the media holder to the optic holder securing the components.



## WHISPER MULTIPLES - WSM-AIC - INSTALLATION INSTRUCTIONS

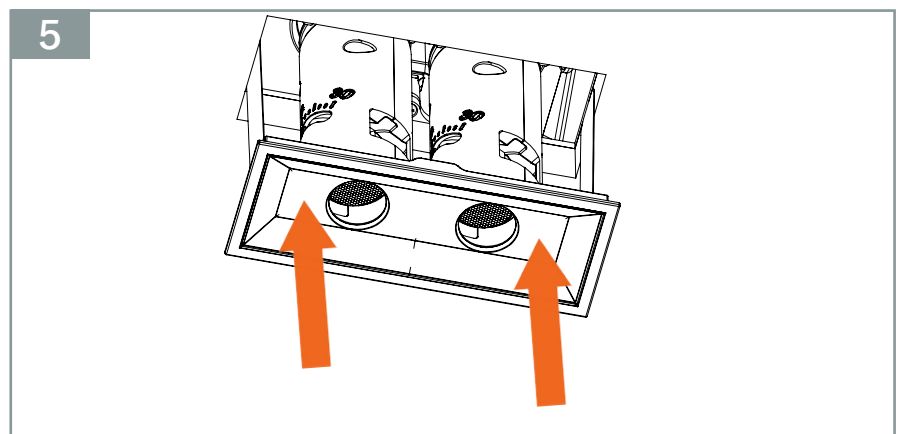
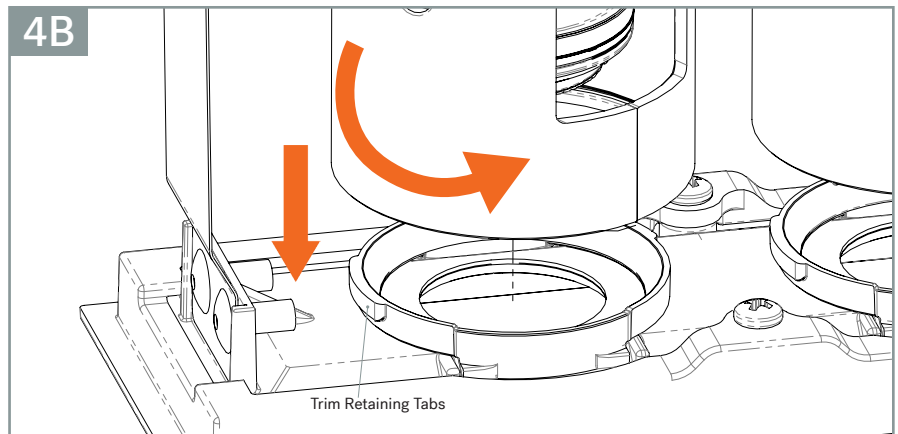
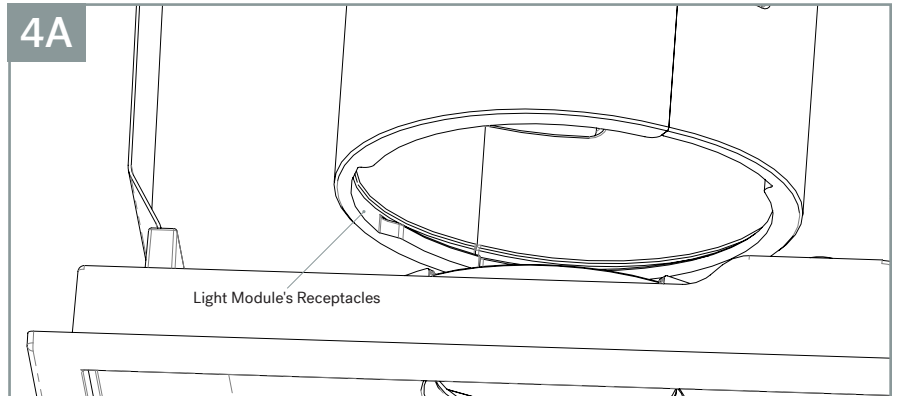
### Module Installation

- Before installing the light module ensure the applicable optic and tilt steps are completed.
- (1) Connect the modules to the wire connectors coming out of the housing.
- (2) Press module into the housing until the Module's Groove lock (3) with housing's snaps.
- (4) Line the Light Module's Receptacles with the Trims Retaining Tabs and twist to lock modules to trim.
- Rotate modules to desired setting.
- (5) Push trim clips inward and insert trim into the housing.





## WHISPER MULTIPLES - WSM-AIC - INSTALLATION INSTRUCTIONS



## WHISPER MULTIPLES - WSM-AIC - INSTALLATION INSTRUCTIONS

### Driver Servicing and Site Review

- Remove the light module and trim.
- Disconnect light modules to make sure wire connector stays between the heatsink and module holder.
- (1) Remove screw and rotate module holder 90° vertically. Driver will come to ceiling opening.
- (2) Rotate drive 90° horizontally.
- (3) Pull the driver out through the ceiling hole
- Reverse the steps to reinstall the driver making sure to:
  - \* Place the driver back into the driver holder.
  - \* Pulling down the module bracket and screwing into place to lock the holding mechanism.

