



CSL | WHISPER
MULTIPLES

RECESSED LIGHTING REDEFINED, AMBIANCE MULTIPLIED.
THERE'S MORE TO WHISPER ABOUT

Whisper Multiples is a revolutionary new concept in overhead lighting. This unobtrusive design features small apertures that provide precise and powerful illumination from an incredibly quiet ceiling. Sharing the same benefits of Whisper Flex, Whisper Multiples level up with the option of 2, 3, or 4 independently adjustable heads for increased flexibility and control. Providing general or accent lighting as needed, each 3/4" round aperture adjustable LED head delivers up to 816 lumens for expansive illumination. Featuring CSL's proprietary SilentVu™ optic technology, Whisper Multiples emit soft, glare-free lighting suitable for a wide variety of applications. A serviceable integral driver and easily removeable light modules make installation and adjustments a snap. Experience why we believe good things come in multiples.

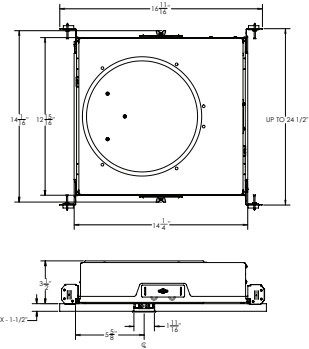
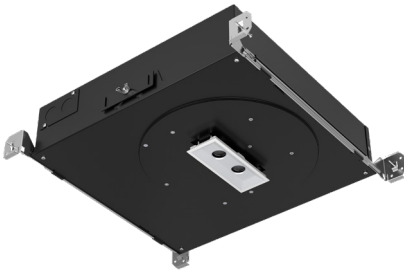
WHISPER MULTIPLES LED DOWNLIGHT (WSM-AIC-2)

SILENT VU™ OPTICS TECHNOLOGY	50° INSTALLED - 30° INCLUDED
RATED WATTAGES	STATIC WHITE: 2-UP = 21W, 3-UP = 31W, 4UP = 30W WARM DIM: 2-UP = 19W, 3UP = 29W, 4UP = 28W
SYSTEM DELIVERED LUMENS	UP TO 816 DELIVERED LUMENS PER HEAD IN A 3/4" ROUND APERTURE @ A 1-3/4" HEAD-TO-HEAD PITCH
MODULE DELIVERED LUMENS	UP TO 816 LM @ 4000K - 2-UP 50° OPTIC
SYSTEM EFFICACY	UP TO 82.9 LPW @ 4000K - 4-UP 50° OPTIC
COLOR QUALITY	90+ CRI, 2-STEP SDCM
CCT @ 90 CRI	2700K, 3000K, 3500K, 4000K, WARM DIM
LED LIFETIME	55,000 HRS @ L90
ADJUSTABILITY	0° TO 30° TILT, 360° PAN
INPUT VOLTAGE	120/277V, 50/60Hz
DIMMING TYPES	TRIAC, ELV AND 0-10VDC AND LUTRON ECOSYSTEM OPTIONS AVAILABLE
SERVICABILITY	ALL OPTIONS: BELOW CEILING ACCESS



Consult spec sheet for full product details.

WHISPER MULTIPLES - WSM-AIC-2



WHISPER MULTIPLES AIC FEATURES

- 3/4" aperture downlight minimizes fixture and light noise at the ceiling
- Delivers up to 2495 lumens of general or accent light using SilentVu™ optical control at 50° or 30°
- 55,000 hr LED lifetime and available integral or remote driver options
- Housing available in 2, 3, and 4 light module options
- Modules pan 90° together as a set
- Integral driver is removeable from below ceiling

TRIM OPTIONS

- Adjustable
- Wet Location
- Round Apertures
- Standard, Trimless, and Wood Ceiling

TRIM & REFLECTOR COLORS

- White
- Black
- Champagne
- Satin Aluminum (Reflector Only)

HOUSING

- Includes (2) galvanized steel adjustable hanger bars and butterfly brackets.
- Ceiling Material: Drywall, T-bar grid, Wood and Millwork
- Steel junction box with four 1/2" knockouts
- All options are Air Tight and CCEA (Chicago Plenum)
- 3 1/2" minimum plenum height above the ceiling required

LISTING/WARRANTY

- cULus Listed
- UL Listed for Damp Location (All Styles) & Wet Location with AL reflector options.
- ASTM E283 Certified Airtight
- IC Rated
- CA Title 24-JA8 Compliant with Static White
- Five (5) years limited warranty
- CCEA (Chicago Plenum) Approved