

Project: _____
Type: _____
Note: _____

GYROSHIFT ARCHITECTURAL PENDANT



Round Pendant

Square Pendant

Hex Pendant

LED LIGHT ENGINE	
RATED WATTAGES	10W-30W
DELIVERED LUMENS	Up to 5" 2005lm
CCT/CRI	2700K 90CRI, 3000K 90CRI, 4000K 80CRI, Warm Dim 98 CRI
COLOR QUALITY	2700K-4000K 90CRI, 2-Step

POWER SUPPLY	
INPUT VOLTAGE	120/277V, 50/60Hz
DIMMING	Multiple Dimming Drivers Available
SERVICABILITY	Light Module and Driver Field Serviceable

DELIVERED LUMENS					
POWER	WITH 50° OPTIC				
	2700K 90CRI	3000K 90CRI	3500K 90CRI	4000K 90CRI	WARM DIM 98 CRI
10W	755lm	800lm	841lm	876lm	608lm
15W	1122lm	1190lm	1251lm	1303lm	N/A
20W	1358lm	1440lm	1514lm	1576lm	N/A
25W	1601lm	1697lm	1784lm	1858lm	N/A
30W	1761lm	1867lm	1963lm	2044lm	N/A

STANDARD FINISH

- WT (Semi Gloss White) MB (Matte Black)
- Specialty Finishes available (see page 2 for options)
 - Max tilt for hang straight stem is 30°

MOUNTING

- 4' of stem included: (1) 6", (2) 12" and (1) 18" (includes couplers)
- 10' field adjustable cord with all standard cord mounts
- Mounts to a 4" x 1-1/2" round junction box (Junction Box not included)

LISTING/WARRANTY

- cULus Listed for Damp Location
- CA Title 24-JA8 Compliant
- Five (5) year limited warranty

GYROSHIFT OPTICS TECHNOLOGY	
OPTICS	10°, 30° & 50° Available
ADJUSTABLE	45° Tilt, Infinite Rotation
MEDIA	Clear, Solite, Frosted, Linear Spread, Hex Louver, Wall Wash



Project: _____
 Type: _____
 Note: _____

GYROSHIFT ARCHITECTURAL PENDANT

ORDER MATRIX

GYROSHIFT ARCHITECTURAL PENDANT (Example: S-RD-CSS-30S279050-MBMBMBMB-NLNL-00)

PRODUCT FAMILY	MOUNTING TYPE	WATTAGE	DRIVER	CCT
S-RD GS Arch. Round	-CSS Conduit Stem Mount	10 10W	S Universal Dim Driver: 1%-100% 0-10V, TRIAC, ELV, 120V/277V	27 2700K
S-SQ GS Arch. Square	-CSC Conduit Cord Mount	15 15W	L3 Lutron Dim Driver: 1%-100% EcoSystem, 120V/277V	30 3000K
S-HEX GS Arch. Hex	-SS Stem Mount	20 20W	EL1 EldoLED DALI Dim: 1%-100% DALI, 120V/277V	35 3500K
	-SC Cord Mount	25 25W	EL2 EldoLED Dim: 0.1%-100% 0-10V, 120V/277V	40 4000K
		30 30W	DMX DMX Dim: 1%-100% DMX, 120V/277V	WD Warm Dim
<small>Forward and reverse phase dimming at 120V only.</small>				<small>Warm Dim max wattage is 10W</small>

CRI	OPTIC	STANDARD HOUSING/REFLECTOR/BEZEL/BALL FINISHES	COASTAL COATING OPTION
90 90 CRI	10 10° Narrow	WTWTWTWT Semi Gloss White	No Coating
	30 30° Narrow Flood	MBMBMBMB Matte Black	C Coastal Coating
	50 50° Flood	Specialty Finish	
<small>See below for Specialty Finish Codes</small>			

MEDIA 1	MEDIA 2	REVISION
NL No Lens	NL No Lens	00 Revision
CL Clear Lens	CL Clear Lens	
FR Frosted	FR Frosted	
MP Solite	MP Solite	
LS Linear Spread	LS Linear Spread	
HEX* Hex Louver	WW Wall Wash	
WW* Wall Wash		
<small>Note: HEX, WW cannot be used with second Media</small>		

Accessories

CUTOUT COVER
SHIFT-RD-1-2-CON-XXX* (1/2" Cutout Cover)
SHIFT-RD-3-4-CON-XXX* (3/4" Cutout Cover)
SHIFT-RD-SOL-CON-XXX* (Solid Cutout Cover)
<small>* Same finish as housing body Contact Sales for additional piece(s).</small>

STANDARD FINISH

SPECIALTY FINISH



WT

Semi Gloss White

MB

Matte Black

FLG

Flannel Gray

PNA

Painted Natural Aluminum

TBZ

Textured Bronze

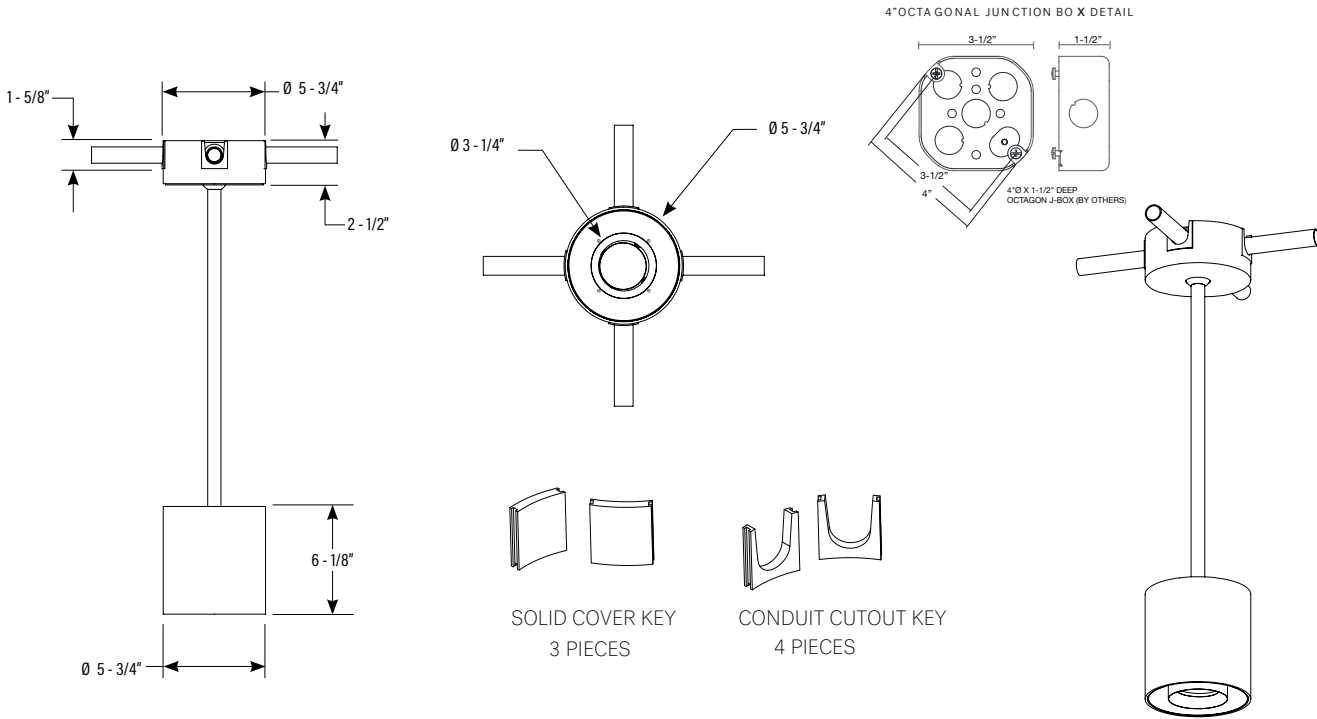
TGP

Textured Graphite

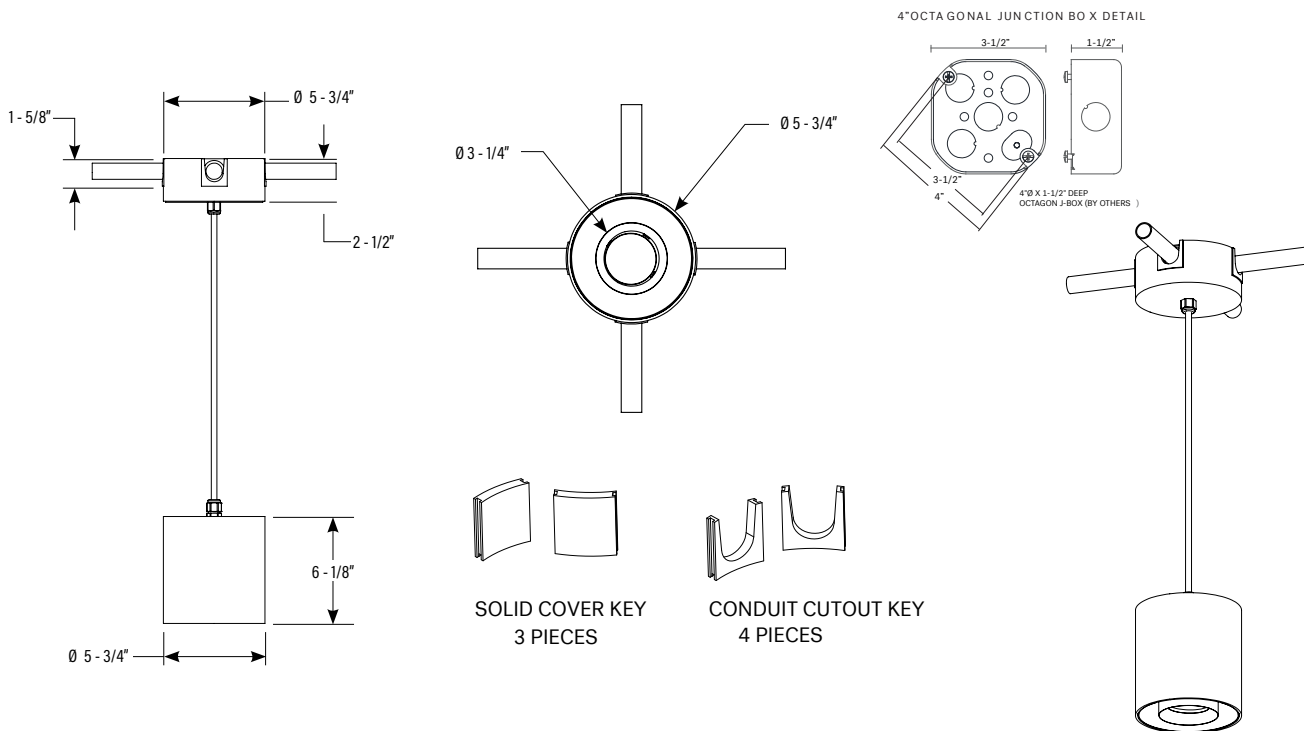
Project: _____
Type: _____
Note: _____

GYROSHIFT ARCHITECTURAL PENDANT

CONDUIT SUSPENDED STEM DIMENSIONS



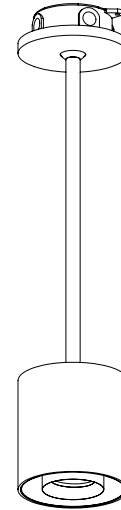
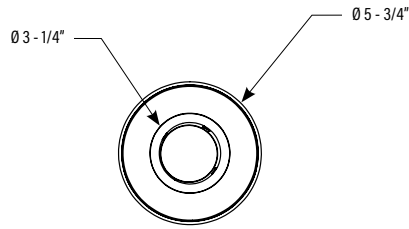
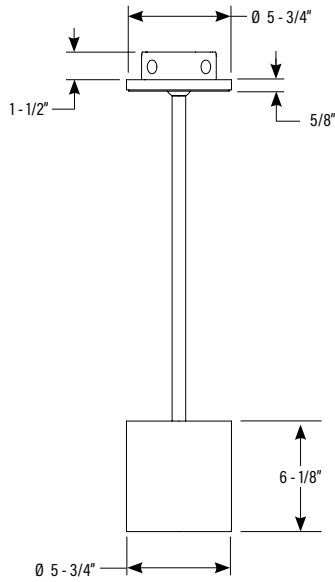
CONDUIT SUSPENDED CABLE DIMENSIONS



Project: _____
Type: _____
Note: _____

GYROSHIFT ARCHITECTURAL PENDANT

SUSPENDED STEM DIMENSIONS

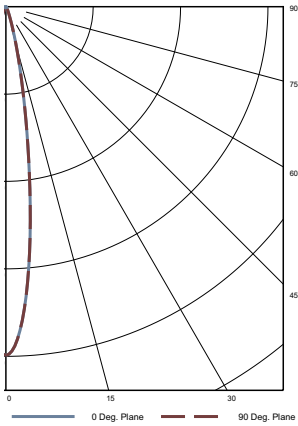


GYROSHIFT ARCHITECTURAL PENDANT

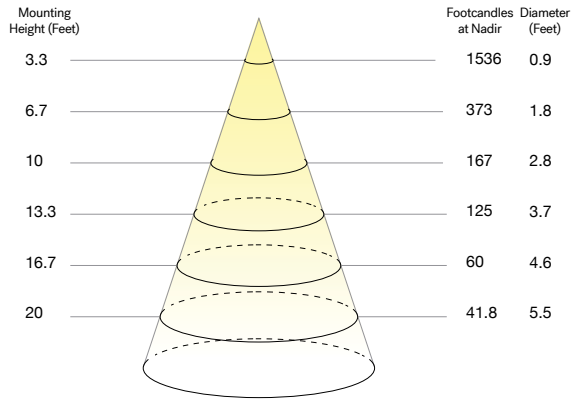
PHOTOMETRICS

GyroShift Architectural (2700K, 90CRI, 10° Optic, 30W)

Polar Plot



Cone of Light Tabulation



VOLTAGE	CURRENT	POWER
120 VAC	0.25A	30W

POWER FACTOR	FREQUENCY	CURRENT THD
0.9	60 Hz	<20%

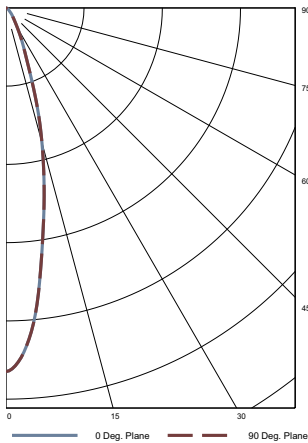
Summary of Results

Spacing Criteria	Total Lumen Output:	1816 lm
0-180: 0.28	Luminaire Efficacy:	61 lpw
90-270: 0.28	Maximum Candela:	16726 cd

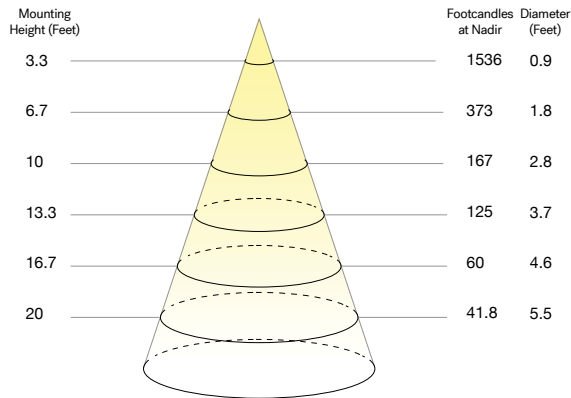
ZONE	LUMENS	% OF LUMINAIRE
0-30	1650	90.9%
0-60	1788	98.5%
0-90	1816	100%

GyroShift Architectural (2700K, 90CRI, 30° Optic, 30W)

Polar Plot



Cone of Light Tabulation



VOLTAGE	CURRENT	POWER
120 VAC	0.25A	30W

POWER FACTOR	FREQUENCY	CURRENT THD
0.9	60 Hz	<20%

Summary of Results

Spacing Criteria	Total Lumen Output:	1655 lm
0-180: 0.42	Luminaire Efficacy:	55 lpw
90-270: 0.42	Maximum Candela:	5844 cd

ZONE	LUMENS	% OF LUMINAIRE
0-40	1344	81.2%
0-60	1627	98.3%
0-90	1655	100%

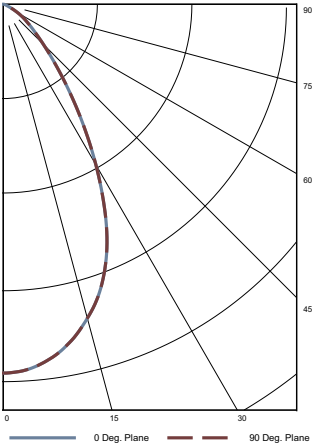
Project: _____
 Type: _____
 Note: _____

GYROSHIFT ARCHITECTURAL PENDANT

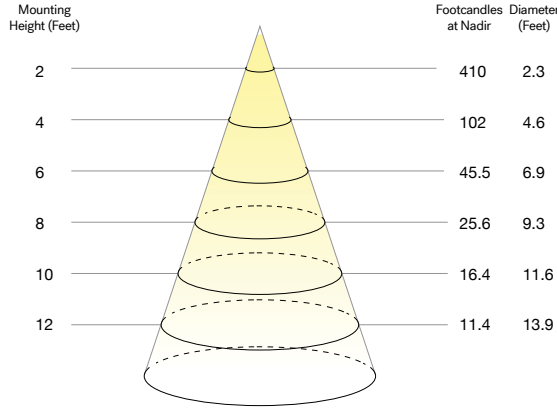
PHOTOMETRICS

**GyroShift Architectural
 (2700K, 90CRI, 50° Optic, 30W)**

Polar Plot



Cone of Light Tabulation



VOLTAGE	CURRENT	POWER
120 VAC	0.25A	30W

POWER FACTOR	FREQUENCY	CURRENT THD
0.9	60 Hz	<20%

Summary of Results

Spacing Criteria	Total Lumen Output: 1762 lm
0-180: 0.94	Luminaire Efficacy: 59 lpw
90-270: 0.94	Maximum Candela: 1639 cd

ZONE	LUMENS	% OF LUMINAIRE
0-40	1410	80.1%
0-60	1714	97.3%
0-90	1762	100%

GYROSHIFT ARCHITECTURAL PENDANT

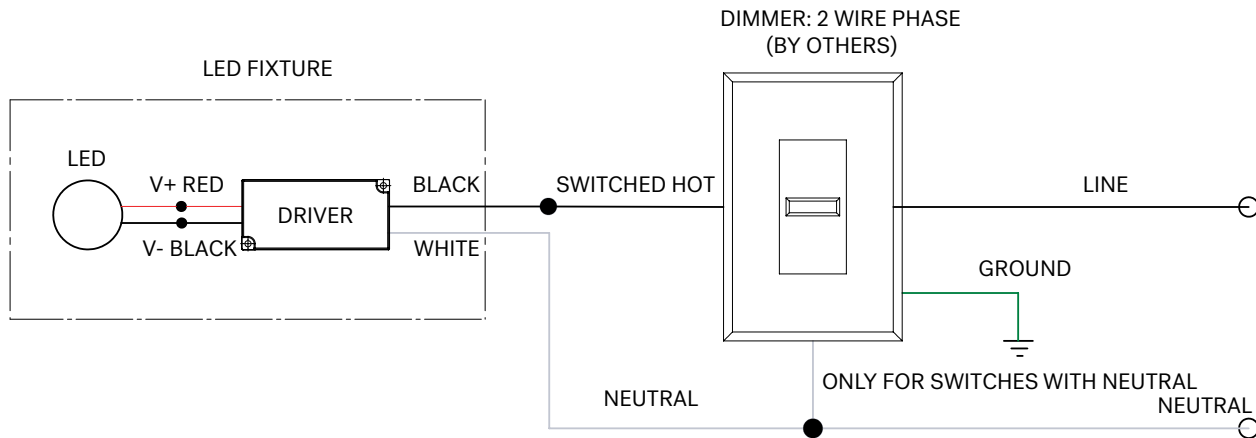
DIMMING DRIVER COMPATIBILITY

DIMMER LIST

"S" STANDARD DRIVER PHASE-CUT DIMMERS

DIMMER INFORMATION			
MANUFACTURER	PRODUCT	MANUFACTURER	PRODUCT
Cooper	DAL06P	Lightolier	ZP260QEW
	DLC03P	Lutron	CT103P
	SLC03P		DV600P
Leviton	6161		DVCL-153P
	6631-2		DVELV303P
	6633-P		FAELV500
	6673-10W		LG600P
	6683-IW		MAELV600
	IPE04		S600P
	IPI06-1LZ		S-603PG
	VPE06		SELV300P
			TG-600P
			TGCL-153P

S- STANDARD DRIVER 2 WIRE PHASE DIMMING



NOTE: Wiring diagrams are examples of typical installations intended to illustrate the number of wires that must be run to fixture. These diagrams are not intended to specify all equipment necessary for a given dimming circuit. Refer to specific dimmer manufacturer's documentation for details.

Project: _____
 Type: _____
 Note: _____

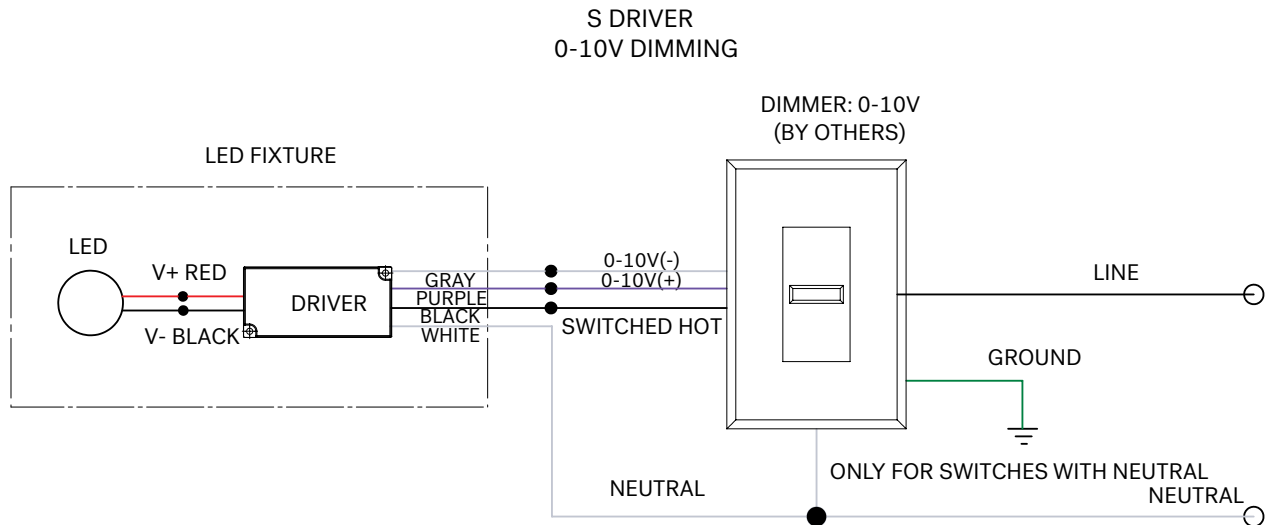
GYROSHIFT ARCHITECTURAL PENDANT

DIMMING DRIVER COMPATIBILITY

DIMMER LIST

"S" STANDARD DRIVER 0-10V

DIMMER INFORMATION	
MANUFACTURER	PRODUCT
Leviton	IP740-DLZ
Lightolier	ZP600FAM120
	V2000FAMU
Lutron	DVTV
	NTFTV
Crestron	CLS-EXP-DIMFLV
	DIN-4DIMFLV4
	DIN-A08
	GLX-DIMFLV8



NOTE: Wiring diagrams are examples of typical installations intended to illustrate the number of wires that must be run to fixture. These diagrams are not intended to specify all equipment necessary for a given dimming circuit. Refer to specific dimmer manufacturer's documentation for details.

Project: _____
Type: _____
Note: _____

GYROSHIFT ARCHITECTURAL PENDANT

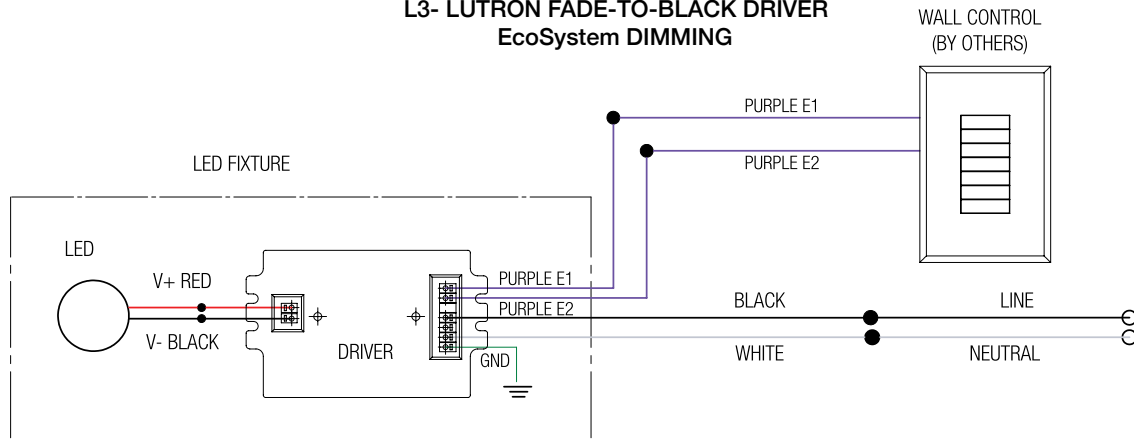
DIMMING DRIVER COMPATIBILITY

DIMMER LIST

"L3" LUTRON FADE-TO-BLACK

DIMMER INFORMATION	
MANUFACTURER	PRODUCT
Lutron	LQSE-2ECO-D
	RMJ-ECO32-DV-B
	FCJ/FCJS-ECO
	QSN-1ECO-S
	QSN-2ECO-S
	EcoSystem ESN
	Grafik Eye QS with EcoSystem
	Quantum

L3- LUTRON FADE-TO-BLACK DRIVER EcoSystem DIMMING

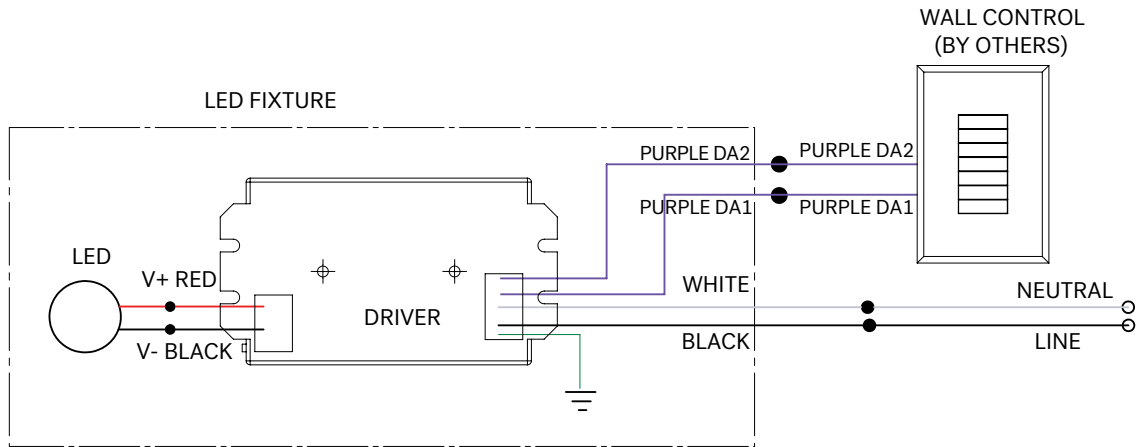


NOTE: Wiring diagrams are examples of typical installations intended to illustrate the number of wires that must be run to fixture. These diagrams are not intended to specify all equipment necessary for a given dimming circuit. Refer to specific dimmer manufacturer's documentation for details.

GYROSHIFT ARCHITECTURAL PENDANT

DIMMING DRIVER COMPATIBILITY

EL1- eldoLED DRIVER
DALI DIMMING



NOTE: Wiring diagrams are examples of typical installations intended to illustrate the number of wires that must be run to fixture. These diagrams are not intended to specify all equipment necessary for a given dimming circuit. Refer to specific dimmer manufacturer's documentation for details.

GYROSHIFT ARCHITECTURAL PENDANT

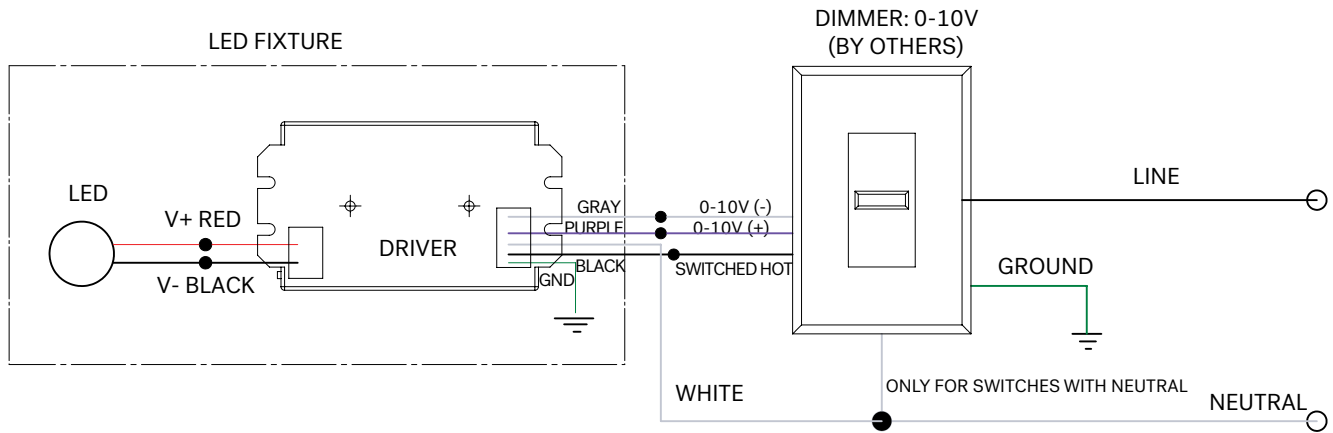
DIMMING DRIVER COMPATIBILITY

DIMMER LIST

"EL2" eIdoLED 0-10V 1%

DIMMER INFORMATION	
MANUFACTURER	PRODUCT
Leviton	IP740-DLZ
Lightolier	ZP600FAM120
Lutron	DVTV
	NTFTV
	NFTV
Crestron	CLS-EXP-DIMFLV
	DIN-4DIMFLV4
	DIN-A08
	GLX-DIMFLV8

EL2- eIdoLED DRIVER 0-10V DIMMING

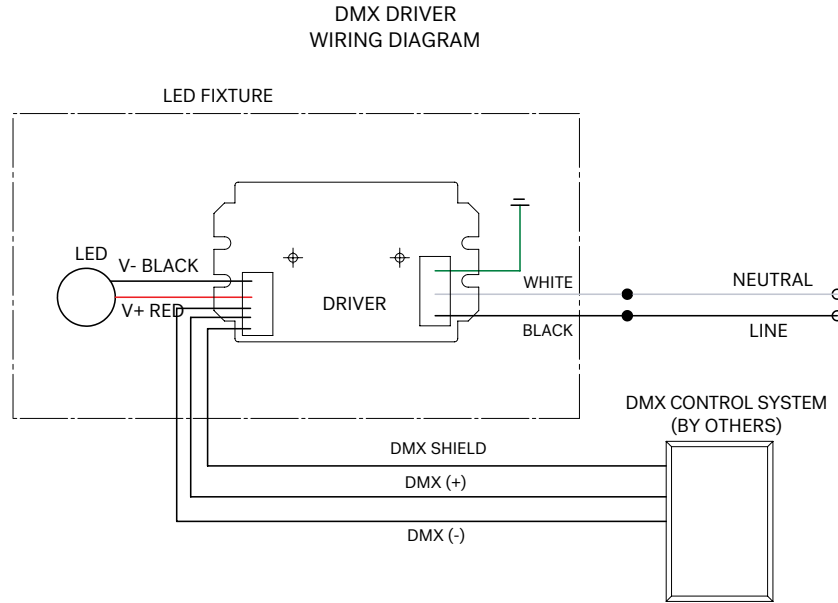


NOTE: Wiring diagrams are examples of typical installations intended to illustrate the number of wires that must be run to fixture. These diagrams are not intended to specify all equipment necessary for a given dimming circuit. Refer to specific dimmer manufacturer's documentation for details.

Project: _____
Type: _____
Note: _____

GYROSHIFT ARCHITECTURAL PENDANT

DIMMING DRIVER COMPATIBILITY



NOTE: Wiring diagrams are examples of typical installations intended to illustrate the number of wires that must be run to fixture. These diagrams are not intended to specify all equipment necessary for a given dimming circuit. Refer to specific dimmer manufacturer's documentation for details.