

Project: \_\_\_\_\_  
Type: \_\_\_\_\_  
Note: \_\_\_\_\_

# GYROSHIFT ARCHITECTURAL FLUSH



Round Flush



Square Flush



Hex Flush

LED LIGHT ENGINE	
RATED WATTAGES	10W-30W
DELIVERED LUMENS	Up to 5" 2005lm
CCT/CRI	2700K 90CRI, 3000K 90CRI, 4000K 98CRI, Warm Dim 98 CRI
COLOR QUALITY	2700K-4000K 90CRI, 2-Step

POWER SUPPLY	
INPUT VOLTAGE	120/277V, 50/60Hz
DIMMING	Multiple Dimming Drivers Available
SERVICABILITY	Light Module and Driver Field Serviceable

DELIVERED LUMENS					
POWER	WITH 50° OPTIC				
	2700K 90CRI	3000K 90CRI	3500K 90CRI	4000K 90CRI	WARM DIM 98 CRI
10W	755lm	800lm	841lm	876lm	608lm
15W	1122lm	1190lm	1251lm	1303lm	N/A
20W	1358lm	1440lm	1514lm	1576lm	N/A
25W	1601lm	1697lm	1784lm	1858lm	N/A
30W	1761lm	1867lm	1963lm	2044lm	N/A

### STANDARD FINISH

- WT (Semi Gloss White)     MB (Matte Black)
- Specialty Finishes available (see page 2 for options)

### MOUNTING

- Mounts to a 4" x 1-1/2" round junction box (Junction Box not included)

### LISTING/WARRANTY

- cULus Listed for Damp Location
- CA Title 24-JA8 Compliant
- Five (5) year limited warranty

GYROSHIFT OPTICS TECHNOLOGY	
OPTICS	10°, 30° & 50° Available
ADJUSTABLE	45° Tilt, Infinite Rotation
MEDIA	Clear, Solite, Frosted, Linear Spread, Hex Louver, Wall Wash



Project: \_\_\_\_\_  
 Type: \_\_\_\_\_  
 Note: \_\_\_\_\_

## GYROSHIFT ARCHITECTURAL FLUSH

### ORDER MATRIX

#### GYROSHIFT ARCHITECTURAL FLUSH (Example: S-RD-CFL-30S279050-MBMBMBMB-NLNL-00)

PRODUCT FAMILY	MOUNTING TYPE	WATTAGE	DRIVER	CCT
<input type="checkbox"/> <b>S-RD</b> GS Arch. Round	<b>-CFL</b> Conduit Flush Mount	<b>10</b> 10W	<b>S</b> Universal Dim Driver: 1%-100% 0-10V, TRIAC, ELV, 120V/277V	<b>27</b> 2700K
<b>S-SQ</b> GS Arch. Square	<b>-FL</b> Flush Mount	<b>15</b> 15W	<b>L3</b> Lutron Dim Driver: 1%-100% EcoSystem, 120V/277V	<b>30</b> 3000K
<input type="checkbox"/> <b>S-HEX</b> GS Arch. Hex		<b>20</b> 20W	<b>EL1</b> EldoLED DALI Dim: 1%-100% DALI, 120V/277V	<b>35</b> 3500K
		<b>25</b> 25W	<b>EL2</b> EldoLED Dim: 0.1%-100% 0-10V, 120V/277V	<b>40</b> 4000K
		<b>30</b> 30W	<b>DMX</b> DMX Dim: 1%-100% DMX, 120V/277V	<b>WD</b> Warm Dim
<small>Forward and reverse phase dimming at 120V only.</small>				<small>Warm Dim max wattage is 10W</small>

CRI	OPTIC	STANDARD HOUSING/REFLECTOR/BEZEL/BALL FINISHES	COASTAL COATING OPTION
<b>90</b> 90 CRI	<b>10</b> 10° Narrow <b>30</b> 30° Narrow Flood <b>50</b> 50° Flood	<b>WTWTWTWT</b> Semi Gloss White <b>MBMBMBMB</b> Matte Black Specialty Finish <small>See below for Specialty Finish Codes</small>	No Coating <b>C</b> Coastal Coating

MEDIA 1	MEDIA 2	REVISION
<b>NL</b> No Lens	<b>NL</b> No Lens	<b>00</b> Revision
<b>CL</b> Clear Lens	<b>CL</b> Clear Lens	
<b>FR</b> Frosted	<b>FR</b> Frosted	
<input type="checkbox"/> <b>MP</b> Solite	<b>MP</b> Solite	
<b>LS</b> Linear Spread	<b>LS</b> Linear Spread	
<b>HEX*</b> Hex Louver	<b>WW</b> Wall Wash	
<b>WW*</b> Wall Wash		
<small>Note: HEX, WW cannot be used with second Media</small>		

#### Accessories

CUTOUT COVER
<b>SHIFT-RD-1-2-CON-XXX*</b> (1/2" Cutout Cover)
<b>SHIFT-RD-3-4-CON-XXX*</b> (3/4" Cutout Cover)
<b>SHIFT-RD-SOL-CON-XXX*</b> (Solid Cutout Cover)
<small>* Same finish as housing body Contact Sales for additional piece(s).</small>

#### STANDARD FINISH

#### SPECIALTY FINISH



**WT**

Semi Gloss White



**MB**

Matte Black



**FLG**

Flannel Gray



**PNA**

Painted Natural Aluminum



**TBZ**

Textured Bronze



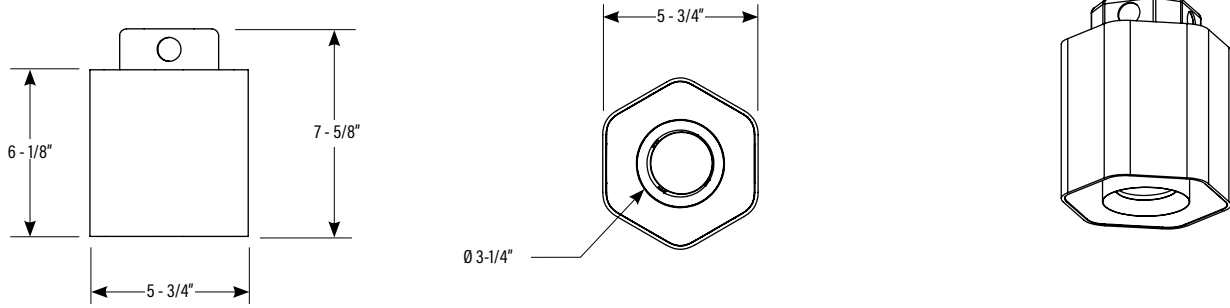
**TGP**

Textured Graphite

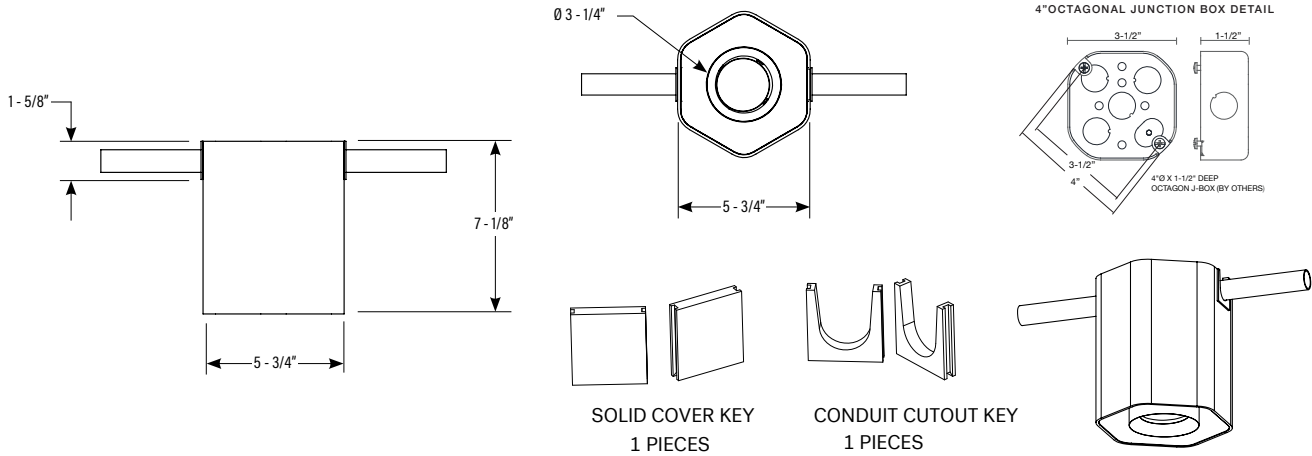
Project: \_\_\_\_\_  
Type: \_\_\_\_\_  
Note: \_\_\_\_\_

# GYROSHIFT ARCHITECTURAL FLUSH

## FLUSH MOUNT DIMENSIONS



## CONDUIT FLUSH MOUNT DIMENSIONS

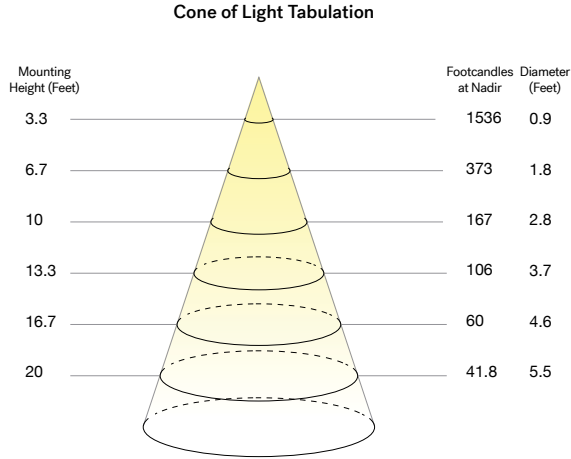
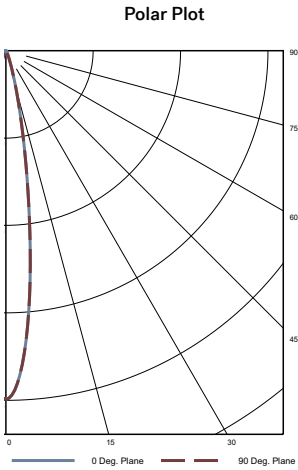


Project: \_\_\_\_\_  
 Type: \_\_\_\_\_  
 Note: \_\_\_\_\_

# GYROSHIFT ARCHITECTURAL FLUSH

## PHOTOMETRICS

### GyroShift Architectural (2700K, 90CRI, 10° Optic, 30W)



VOLTAGE	CURRENT	POWER
120 VAC	0.25A	30W

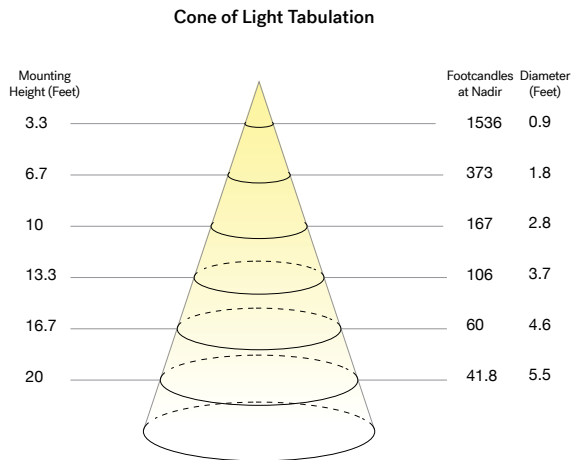
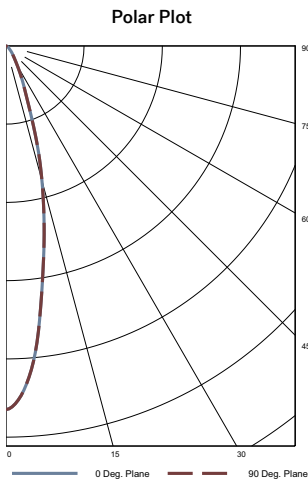
POWER FACTOR	FREQUENCY	CURRENT THD
0.9	60 Hz	<20%

#### Summary of Results

Spacing Criteria	Total Lumen Output:	1816 lm
0-180: 0.28	Luminaire Efficacy:	61 lpw
90-270: 0.28	Maximum Candela:	16726 cd

ZONE	LUMENS	% OF LUMINAIRE
0-30	1650	90.9%
0-60	1788	98.5%
0-90	1816	100%

### GyroShift Architectural (2700K, 90CRI, 30° Optic, 30W)



VOLTAGE	CURRENT	POWER
120 VAC	0.25A	30W

POWER FACTOR	FREQUENCY	CURRENT THD
0.9	60 Hz	<20%

#### Summary of Results

Spacing Criteria	Total Lumen Output:	1655 lm
0-180: 0.42	Luminaire Efficacy:	55 lpw
90-270: 0.42	Maximum Candela:	5844 cd

ZONE	LUMENS	% OF LUMINAIRE
0-40	1344	81.2%
0-60	1627	98.3%
0-90	1655	100%

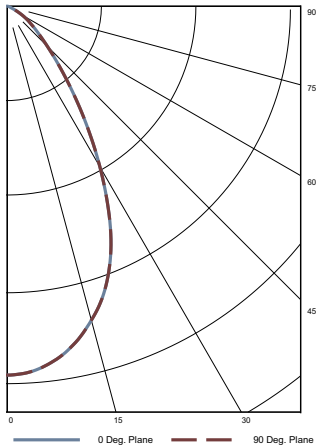
Project: \_\_\_\_\_  
Type: \_\_\_\_\_  
Note: \_\_\_\_\_

# GYROSHIFT ARCHITECTURAL FLUSH

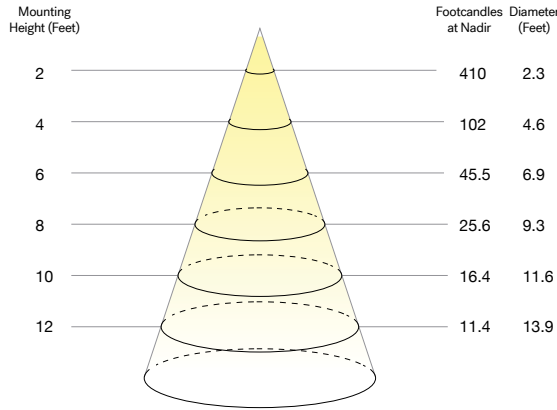
## PHOTOMETRICS

**GyroShift Architectural  
(2700K, 90CRI, 50° Optic, 30W)**

Polar Plot



Cone of Light Tabulation



VOLTAGE	CURRENT	POWER
120 VAC	0.25A	30W

POWER FACTOR	FREQUENCY	CURRENT THD
0.9	60 Hz	<20%

**Summary of Results**

<b>Spacing Criteria</b>	<b>Total Lumen Output:</b> 1762 lm
0-180: 0.94	Luminaire Efficacy: 59 lpw
90-270: 0.94	Maximum Candela: 1639 cd

ZONE	LUMENS	% OF LUMINAIRE
0-40	1410	80.1%
0-60	1714	97.3%
0-90	1762	100%

Project: \_\_\_\_\_  
 Type: \_\_\_\_\_  
 Note: \_\_\_\_\_

# GYROSHIFT ARCHITECTURAL FLUSH

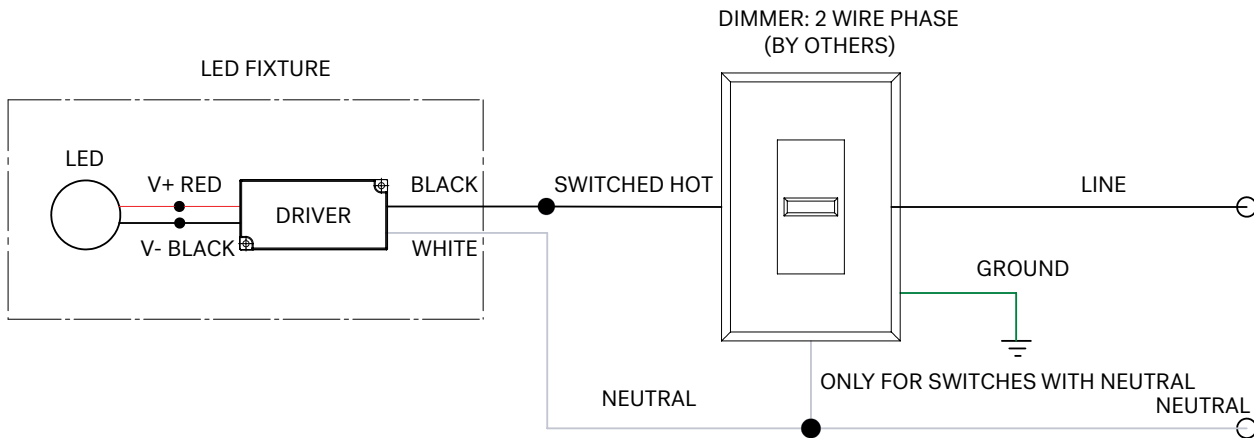
**DIMMING DRIVER COMPATIBILITY**

**DIMMER LIST**

**"S" STANDARD DRIVER PHASE-CUT DIMMERS**

DIMMER INFORMATION			
MANUFACTURER	PRODUCT	MANUFACTURER	PRODUCT
Cooper	DAL06P	Lightolier	ZP260QEW
	DLC03P	Lutron	CT103P
	SLC03P		DV600P
Leviton	6161		DVCL-153P
	6631-2		DVELV303P
	6633-P		FAELV500
	6673-10W		LG600P
	6683-IW		MAELV600
	IPE04		S600P
	IPI06-1LZ		S-603PG
	VPE06		SELV300P
			TG-600P
			TGCL-153P

**S- STANDARD DRIVER  
 2 WIRE PHASE DIMMING**



NOTE: Wiring diagrams are examples of typical installations intended to illustrate the number of wires that must be run to fixture. These diagrams are not intended to specify all equipment necessary for a given dimming circuit. Refer to specific dimmer manufacturer's documentation for details.

Project: \_\_\_\_\_  
 Type: \_\_\_\_\_  
 Note: \_\_\_\_\_

# GYROSHIFT ARCHITECTURAL FLUSH

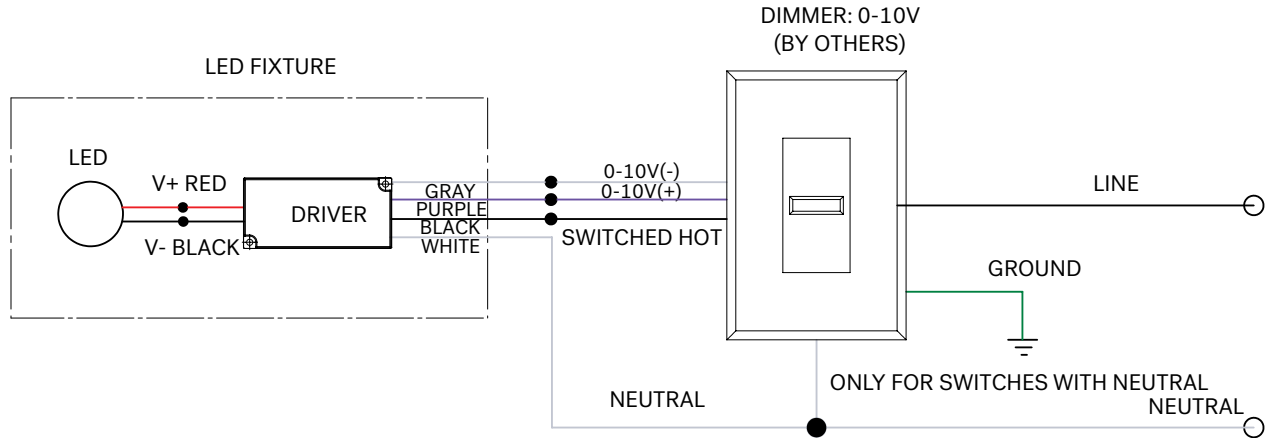
## DIMMING DRIVER COMPATIBILITY

### DIMMER LIST

"S" STANDARD DRIVER 0-10V

DIMMER INFORMATION	
MANUFACTURER	PRODUCT
Leviton	IP740-DLZ
Lightolier	ZP600FAM120
	V2000FAMU
Lutron	DVTV
	NTFTV
Crestron	CLS-EXP-DIMFLV
	DIN-4DIMFLV4
	DIN-A08
	GLX-DIMFLV8

### S DRIVER 0-10V DIMMING



NOTE: Wiring diagrams are examples of typical installations intended to illustrate the number of wires that must be run to fixture. These diagrams are not intended to specify all equipment necessary for a given dimming circuit. Refer to specific dimmer manufacturer's documentation for details.

Project: \_\_\_\_\_  
 Type: \_\_\_\_\_  
 Note: \_\_\_\_\_

# GYROSHIFT ARCHITECTURAL FLUSH

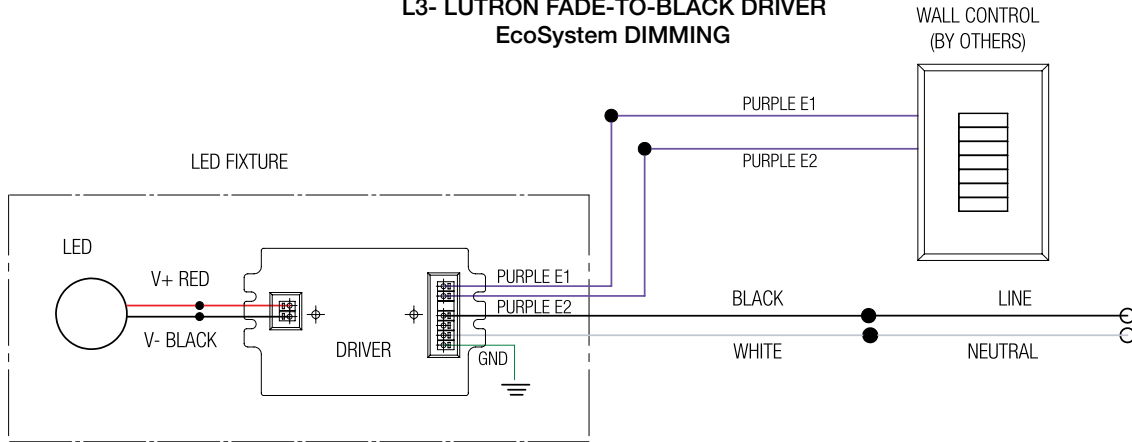
## DIMMING DRIVER COMPATIBILITY

### DIMMER LIST

#### "L3" LUTRON FADE-TO-BLACK

DIMMER INFORMATION	
MANUFACTURER	PRODUCT
Lutron	LQSE-2ECO-D
	RMJ-ECO32-DV-B
	FCJ/FCJS-ECO
	QSN-1ECO-S
	QSN-2ECO-S
	EcoSystem ESN
	Grafik Eye QS with EcoSystem
	Quantum

#### L3- LUTRON FADE-TO-BLACK DRIVER EcoSystem DIMMING

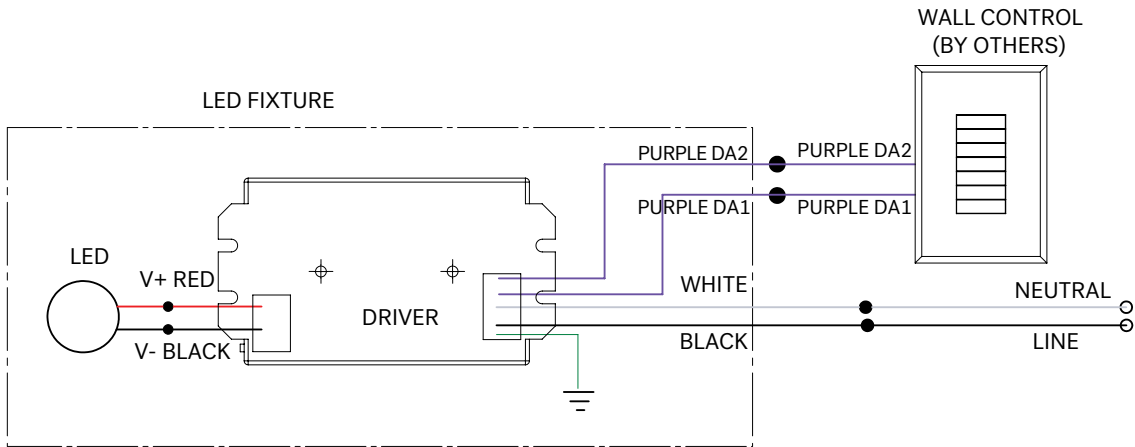


NOTE: Wiring diagrams are examples of typical installations intended to illustrate the number of wires that must be run to fixture. These diagrams are not intended to specify all equipment necessary for a given dimming circuit. Refer to specific dimmer manufacturer's documentation for details.

# GYROSHIFT ARCHITECTURAL FLUSH

## DIMMING DRIVER COMPATIBILITY

EL1- eldoLED DRIVER  
DALI DIMMING



NOTE: Wiring diagrams are examples of typical installations intended to illustrate the number of wires that must be run to fixture. These diagrams are not intended to specify all equipment necessary for a given dimming circuit. Refer to specific dimmer manufacturer's documentation for details.

# GYROSHIFT ARCHITECTURAL FLUSH

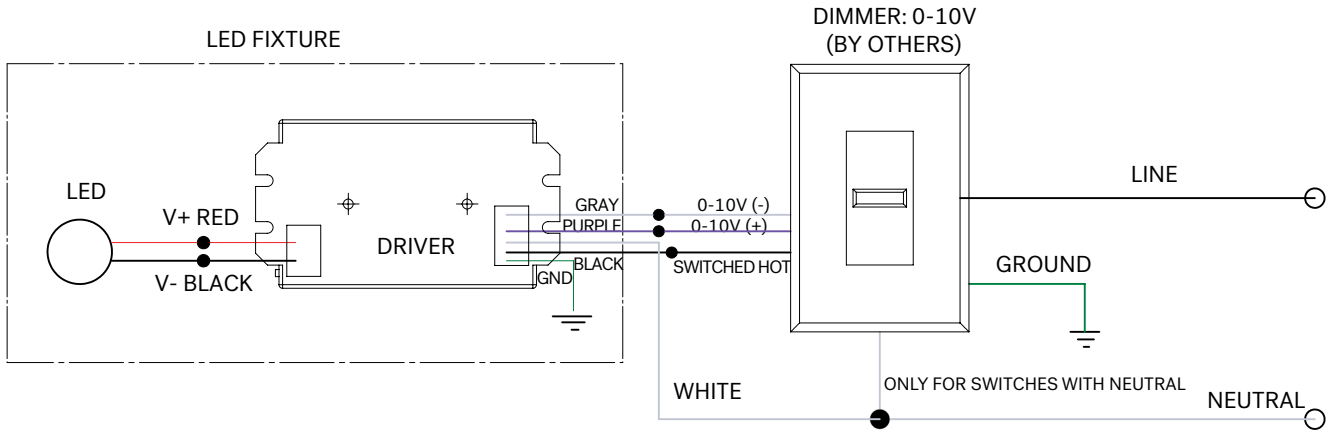
## DIMMING DRIVER COMPATIBILITY

### DIMMER LIST

"EL2" eIdoLED 0-10V 1%

DIMMER INFORMATION	
MANUFACTURER	PRODUCT
Leviton	IP740-DLZ
Lightolier	ZP600FAM120
Lutron	DVTV
	NTFTV
	NFTV
Crestron	CLS-EXP-DIMFLV
	DIN-4DIMFLV4
	DIN-A08
	GLX-DIMFLV8

### EL2- eIdoLED DRIVER 0-10V DIMMING

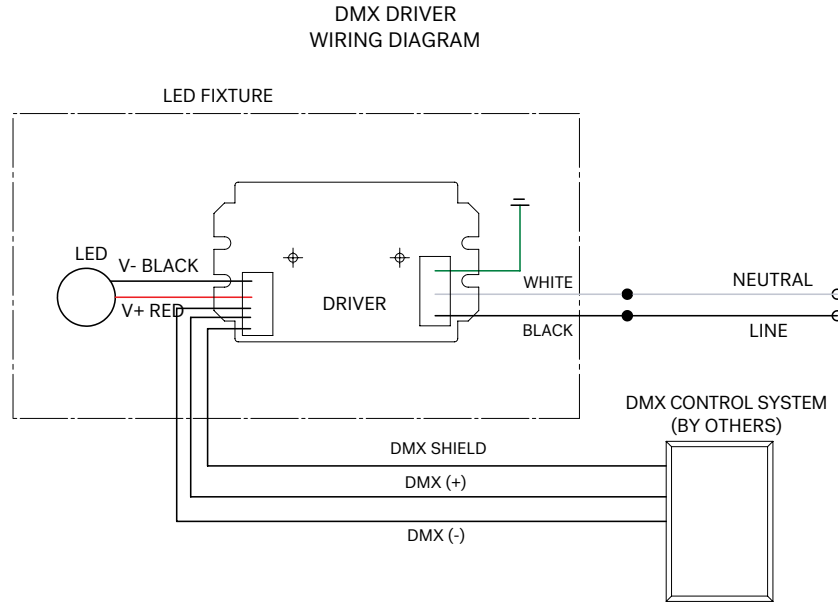


NOTE: Wiring diagrams are examples of typical installations intended to illustrate the number of wires that must be run to fixture. These diagrams are not intended to specify all equipment necessary for a given dimming circuit. Refer to specific dimmer manufacturer's documentation for details.

Project: \_\_\_\_\_  
 Type: \_\_\_\_\_  
 Note: \_\_\_\_\_

# GYROSHIFT ARCHITECTURAL FLUSH

## DIMMING DRIVER COMPATIBILITY



NOTE: Wiring diagrams are examples of typical installations intended to illustrate the number of wires that must be run to fixture. These diagrams are not intended to specify all equipment necessary for a given dimming circuit. Refer to specific dimmer manufacturer's documentation for details.