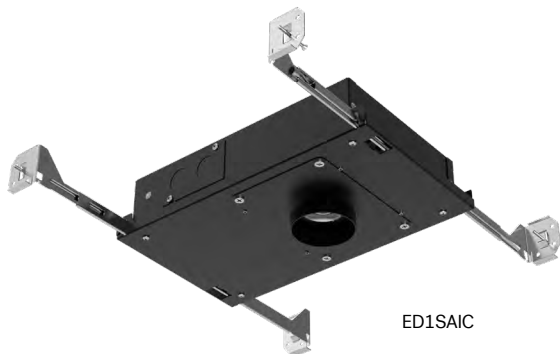


Project: \_\_\_\_\_

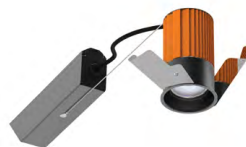
Type: \_\_\_\_\_

Note: \_\_\_\_\_

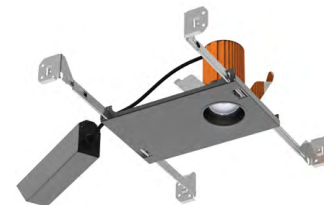
## ECO 1" LED DOWNLIGHT



ED1SAIC



ED1RM, ED1LRIC



ED1NC, ED1LNIC

LED LIGHT ENGINE	
<b>RATED WATTAGES</b>	14W (Warm Dim only), 12W, 10W
<b>DELIVERED LUMENS</b>	Up to 1005 lm
<b>EFFICACY</b>	Up to 99 LPW
<b>CCT @ 90CRI</b>	2700K, 3000K, 3500K, 4000K, Warm Dim
<b>COLOR QUALITY</b>	90+ CRI, 2-Step SDCM
<b>LED LIFETIME</b>	>55,000 hours @ L80

SILENT VU™ OPTICS TECHNOLOGY	
<b>OPTICS</b>	50° Installed, 10°, 30°, 80° available
<b>ADJUSTABLE</b>	0° to 30° tilt (Adjustable housings only)
<b>MEDIA</b>	Clear, Solite, Frosted, Linear Spread, Hex Louver

POWER SUPPLY	
<b>INPUT VOLTAGE</b>	120/277V 50/60Hz
<b>DIMMING</b>	TRIAC, ELV and 0-10V, dims to 1%
<b>SERVICABILITY</b>	Below ceiling access

DELIVERED LUMENS MATRIX				
ED1 (10.2W)	10° OPTIC	30° OPTIC	50° OPTIC	80° OPTIC
2700K (90CRI)	776 lm	896 lm	851 lm	644 lm
3000K (90CRI)	826 lm	954 lm	906 lm	686 lm
3500K (90CRI)	850 lm	982 lm	932 lm	705 lm
4000K (90CRI)	870 lm	1005 lm	954 lm	723 lm

### TRIM OPTIONS

- Fixed
- Round or Square
- Standard or Trimless
- Wet Location Regressed

### TRIM COLORS

- White
- Black
- Champagne
- Champagne w/White Flange
- Black w/White Flange
- Silver w/White Flange

ED1 NIC, RIC (8.7W)	10° OPTIC	30° OPTIC	50° OPTIC	80° OPTIC
Warm Dim (98 CRI, R9>90)	383 lm	466 lm	466 lm	386 lm

### HOUSING

- New Construction includes (2) galvanized steel adjustable hanger bars
- Remodel option available
- 5/8"-2" ceiling thickness SAIC, 1/2"-2" ceiling thickness NC and RM
- Min Plenum Height: 2 3/8"
- Ceiling Material: Drywall, T-bar grid
- Steel junction box with up to (4) 1/2" knockouts
- ASTM E283 Air Tight compliant
- SAIC models are CCEA compliant. (Note: polycell spray-in foam insulation must be kept 3" from housing)

ED1 SAIC (12.5W)	10° OPTIC	30° OPTIC	50° OPTIC	80° OPTIC
Warm Dim (98 CRI, R9>90)	525 lm	639 lm	639 lm	530 lm

### LISTING/WARRANTY

- cULus Listed
- IC Rated and Non IC Rated Available
- CCEA Approved (SAIC Models)
- Five (5) years limited warranty
- UL Listed for Damp/Wet Location (Wet Location Trim Style)
- CA Title 24-JA8 Compliant (SAIC, NIC & RIC Models)
- ASTM E283 Certified Airtight
- Compliant with CEC Title 24 - JA10 flicker requirements

ED1L (9.0W)	10° OPTIC	30° OPTIC	50° OPTIC	80° OPTIC
2700K (90CRI)	688 lm	794 lm	754 lm	559 lm
3000K (90CRI)	732 lm	846 lm	803 lm	608 lm
3500K (90CRI)	753 lm	870 lm	826 lm	625 lm
4000K (90CRI)	771 lm	891 lm	846 lm	640 lm



Project: \_\_\_\_\_

Type: \_\_\_\_\_

Note: \_\_\_\_\_

## ECO 1" LED DOWNLIGHT

### ORDER MATRIX

#### ED1

#### ECO 1" HOUSING + LIGHT ENGINE ORDER MATRIX (Example: ED1SAIC-309050-12S)

HOUSING BASE		LED PERFORMANCE			DRIVER ASSEMBLY	
FAMILY APERTURE	INSTALLATION TYPE	CCT	CRI	OPTIC	WATTAGE	LED DIMMING DRIVER
<b>ED1</b> ECO 1"	<b>SAIC</b> Shallow Plenum Adjustable IC	<b>-27</b> 2700K	<b>90</b> 90 CRI	<b>50</b> 50° Flood Installed  10°, 30°, 80° optics available from the Additional Optics Accessories table below	<b>-12</b> 10.2W	<b>S<sup>3</sup></b> Universal Dimming Driver (1%-100% 0-10V, TRIAC, ELV, 120V/277V)
	<b>NC</b> New Construction Fixed	<b>-30</b> 3000K				
	<b>RM</b> Remodel Fixed	<b>-35</b> 3500K				
		<b>-40</b> 4000K				

FAMILY APERTURE	INSTALLATION TYPE	CCT	CRI	OPTIC	WATTAGE	LED DIMMING DRIVER	
<b>ED1</b> ECO 1"  <b>Warm Dim</b>	<b>SAIC</b> Shallow Plenum Adjustable IC	<b>-WD</b> 1800K-3000K  <b>Warm Dim</b>	<b>98</b> 98 CRI  <b>Warm Dim</b>	<b>50</b> 50° Flood Installed  10°, 30°, 80° optics available from the Additional Optics Accessories table below	<b>-10<sup>1</sup></b> 8.7W  <b>-14<sup>1,2</sup></b> 12.5W	<b>S<sup>3</sup></b> Universal Dimming Driver (1%-100% 0-10V, TRIAC, ELV, 120V/277V)	
	<b>NIC</b> New Construction Fixed IC						NIC or RIC Installation Type Only
	<b>RIC</b> Remodel Fixed IC						SAIC Installation Type Only

1. SAIC Installation Type and Wattage Code -14, NIC or RIC Installation Type and Wattage Code -10.

2. Wattage Code -14 Title 24 JA-8 compliant only with 30° or 50° optic installed.  
3. TRIAC, ELV dimming for 120V only.

#### ED1L

#### ECO 1" HOUSING + LIGHT ENGINE ORDER MATRIX (Example: ED1LSAIC-309050-10S)

HOUSING BASE		LED PERFORMANCE			DRIVER ASSEMBLY	
FAMILY APERTURE	INSTALLATION TYPE	CCT	CRI	OPTIC	WATTAGE	LED DIMMING DRIVER
<b>ED1L</b> ECO 1" LPD	<b>SAIC</b> Shallow Plenum Adjustable IC	<b>-27</b> 2700K	<b>90</b> 90 CRI	<b>50</b> 50° Flood Installed  10°, 30°, 80° optics available from the Additional Optics Accessories table below	<b>-10</b> 9W	<b>S<sup>1</sup></b> Universal Dimming Driver (1%-100% 0-10V, TRIAC, ELV, 120V/277V)
	<b>NC</b> New Construction Fixed IC	<b>-30</b> 3000K				
	<b>RIC</b> Remodel Fixed IC	<b>-35</b> 3500K				
		<b>-40</b> 4000K				

1. TRIAC, ELV dimming for 120V only.

Project: \_\_\_\_\_

Type: \_\_\_\_\_

Note: \_\_\_\_\_

## ECO 1" LED DOWNLIGHT

### ORDER MATRIX

#### TRIMMED (FLANGED)

##### ECO 1" DOWNLIGHT TRIM ORDER MATRIX (Example: ED1-RSTWT)

FAMILY APERTURE	TRIM SHAPE	TRIM STYLE	TRIM FINISH	
<b>ED1-</b> ECO 1" Flanged	<b>R</b> Round	<b>ST</b> Standard	<b>WT</b> White	<b>BW<sup>1</sup></b> Black w/White Flange
	<b>S</b> Square	<b>WR</b> Wet Location Regressed	<b>BK</b> Black	<b>SW<sup>1</sup></b> Silver w/White Flange
			<b>CN</b> Champagne	<b>CW<sup>1</sup></b> Champagne w/White Flange

1. Color option available in ST (Standard) style only

#### TRIMLESS KIT (REFLECTOR + MUD PLATE)

##### ECO 1" DOWNLIGHT TRIMLESS ORDER MATRIX (Example: ED1-KRSTWT)

FAMILY APERTURE	KIT	REFLECTOR SHAPE	REFLECTOR STYLE	TRIM FINISH
<b>ED1-</b> ECO 1" Trimless	<b>K</b> (Reflector and Mudplate Kit)	<b>R</b> Round	<b>ST</b> SAIC (Shallow Plenum Adjustable housing types only)	<b>WT</b> White
		<b>S<sup>1</sup></b> Square	<b>RM</b> NC (Fixed), RM (Remodel) housing types only	<b>BK</b> Black
				<b>CN</b> Champagne

1. S (Square) not available for RM Reflector Style.

#### TRIMLESS REFLECTOR

##### ECO 1" DOWNLIGHT TRIMLESS ORDER MATRIX (Example: ED1-RTLWT or ED1-RRMTLWT)

FAMILY APERTURE	UNKITTED	TRIM SHAPE	TRIM STYLE	TRIM FINISH
<b>ED1-</b> ECO 1" Trimless	(Blank)	<b>R</b> Round	<b>TL</b> SAIC (Shallow Plenum Adjustable housing types only)	<b>WT</b> White
		<b>S<sup>1</sup></b> Square	<b>RM<sup>1</sup></b> NC (Fixed), RM (Remodel)	<b>BK</b> Black
				<b>CN</b> Champagne

1. S (Square) not available for RM Reflector Style.

\* Trimless Reflector Only. Order corresponding Trimless Mud Plate.

#### TRIMLESS MUD PLATE

##### ECO 1" DOWNLIGHT MUD PLATE ORDER MATRIX (Example: ED1-R-TL or ED1-RRMTL)

FAMILY APERTURE	UNKITTED	TRIM SHAPE	TRIM STYLE
<b>ED1-</b> ECO 1" Trimless	(Blank)	<b>R</b> Round	<b>TL</b> SAIC (Shallow Plenum Adjustable housing types only)
		<b>S<sup>1</sup></b> Square	<b>RM<sup>1</sup></b> NC (Fixed), RM (Remodel)

1. S (Square) not available for RM<sup>1</sup> Mud Plate.

\* Trimless Mud Plate Only. Order corresponding Trimless Reflector

Project: \_\_\_\_\_

Type: \_\_\_\_\_

Note: \_\_\_\_\_

## ECO 1" LED DOWNLIGHT

### ORDER MATRIX

### ACCESSORIES

#### ECO 1" ACCESSORIES FOR ECO, ED1, ED1L, ED1S

ADDITIONAL OPTICS	OPTICAL MEDIA	EMERGENCY OPTIONS
Used with Static White	<b>ED1-CL</b> Clear Lens	<b>EM-1000</b> 25W Remote Inverter
<b>ED1-10-OPTIC</b> 10° Spot	<b>ED1-MP</b> Solite Lens	<b>EM-1002</b> 10W Remote EM Driver, Title 20
<b>ED1-30-OPTIC</b> 30° Narrow Flood	<b>ED1-FR</b> Frosted Lens	<b>EM-1003-CA</b> 35W Remote Inverter, Title 20
<b>ED1-50-OPTIC</b> 50° Flood	<b>ED1-LS</b> Linear Spread Lens	<b>EM-1004</b> 50W Remote Inverter
<b>ED1-80-OPTIC</b> 80° Wide Flood	<b>ED1-HEX<sup>1,3</sup></b> Hex Louver	<b>EM-1006</b> 25W Remote Inverter, Title 20
Used with Warm Dim	<b>ED1-MHLDR<sup>2</sup></b> Media Holder	
<b>ED1-10-OPTIC-WD</b> 10° Spot		
<b>ED1-30-OPTIC-WD</b> 30° Narrow Flood		
<b>ED1-50-OPTIC-WD</b> 50° Flood		
<b>ED1-80-OPTIC-WD</b> 80° Wide Flood		

1. MHLDR required when using a Hex Louver.

2. MHLDR required when ordering any optical media and only compatible with SAIC & LSAIC.

3. Cannot be used with a second media

### TRIM ACCESSORIES

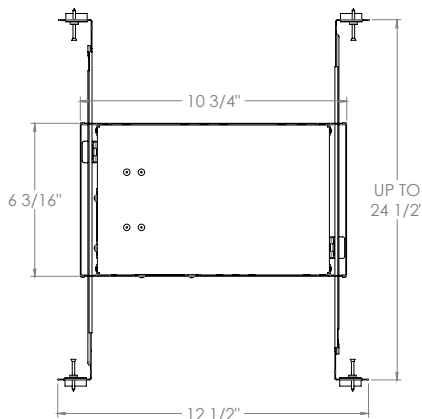
#### ECO 1" TRIM ACCESSORIES ORDER MATRIX (Example: ED1-R-FMA)

FAMILY APERTURE	STYLE
<b>ED1-</b> ECO 1"	<b>R-FMA</b> Round Flush Mount Adapter
	<b>S-FMA</b> Square Flush Mount Adapter
	<b>TC1</b> Thick Ceiling Adapter for ceilings 11/16" to 1-1/4"
	<b>TC2</b> Thick Ceiling Adapter for ceilings 1-5/16" to 2"

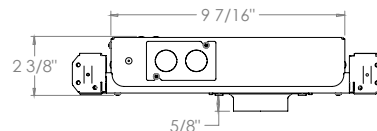
## ECO 1" LED DOWNLIGHT

### HOUSING AND LIGHT ENGINE LINE DRAWINGS

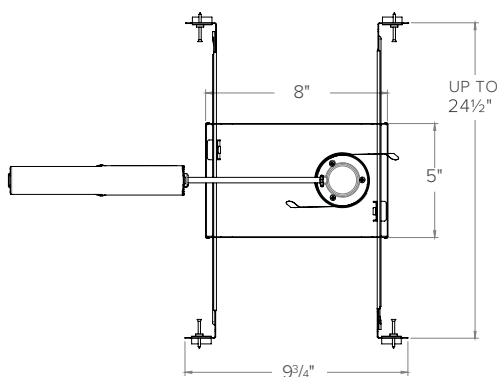
#### ED1SAIC, ED1LSAIC



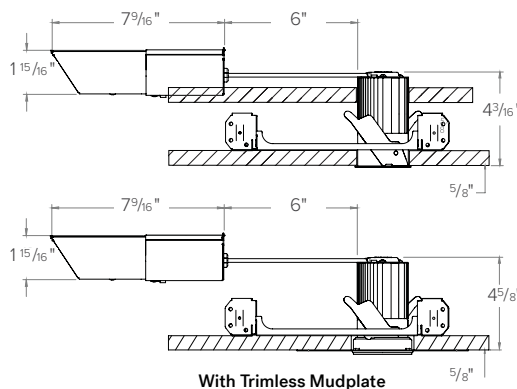
Minimum plenum height 2 3/8"



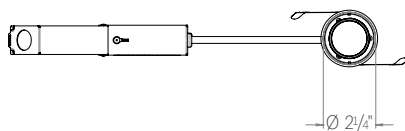
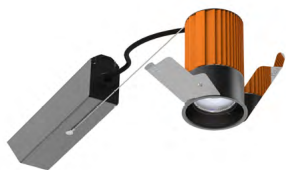
#### ED1NC, ED1LNIC



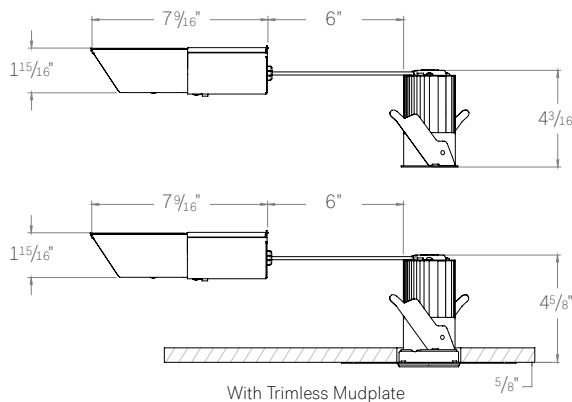
Minimum plenum height 5 1/2" at 5/8" ceiling thickness



#### ED1RM, ED1LRIC

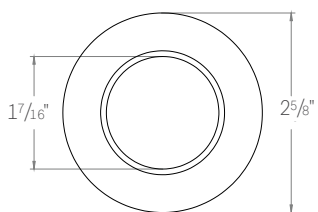
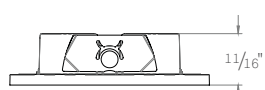
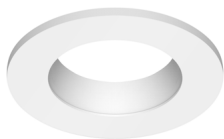


Minimum plenum height 5 1/2" at 5/8" ceiling thickness

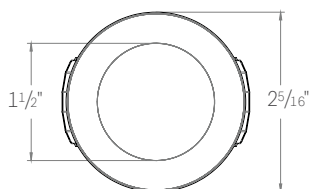


## ECO 1" LED DOWNLIGHT

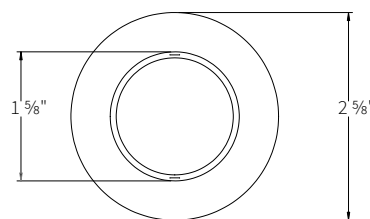
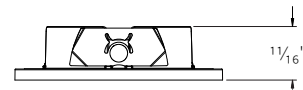
### TRIM STYLES



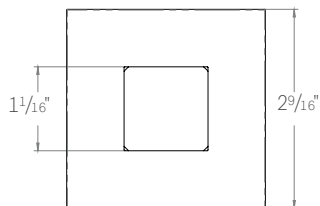
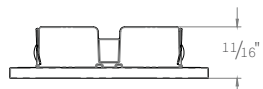
**ED1-RST**  
ROUND STANDARD TRIM



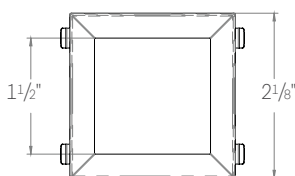
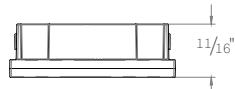
**ED1-RTL**  
ROUND TRIMLESS  
Trimless Style for use with SAIC models only.



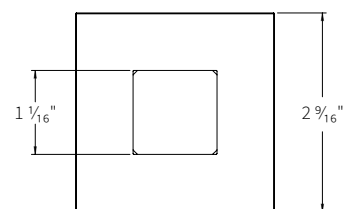
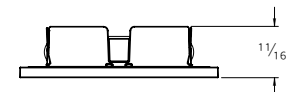
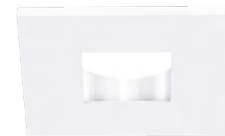
**ED1-RWR**  
ROUND WET LOCATION REGRESSED



**ED1-SST**  
SQUARE STANDARD TRIM



**ED1-STL**  
SQUARE TRIMLESS  
Trimless Style for use with SAIC models only.



**ED1-SWR**  
SQUARE WET LOCATION REGRESSED

**ECO 1" LED DOWNLIGHT**

**TRIM FINISHES**



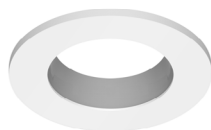
**ED1-RSTWT**  
WT White Reflector with White Trim



**ED1-RSTBK**  
BK Black Reflector with Black Trim



**ED1-RSTCN**  
CN Champagne Reflector with Champagne Trim



**ED1-RSTSW**  
SW Silver Reflector with White Trim



**ED1-RSTBW**  
BW Black Reflector with White Trim



**ED1-RSTCW**  
CW Champagne Reflector with White Trim



**ED1-SSTWT**  
WT White Reflector with White Trim



**ED1-SSTBK**  
BK Black Reflector with Black Trim



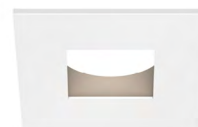
**ED1-SSTCN**  
CN Champagne Reflector with Champagne Trim



**ED1-SSTSW**  
SW Silver Reflector with White Trim



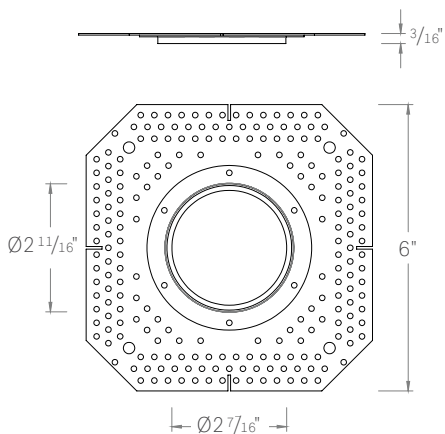
**ED1-SSTBW**  
BW Black Reflector with White Trim



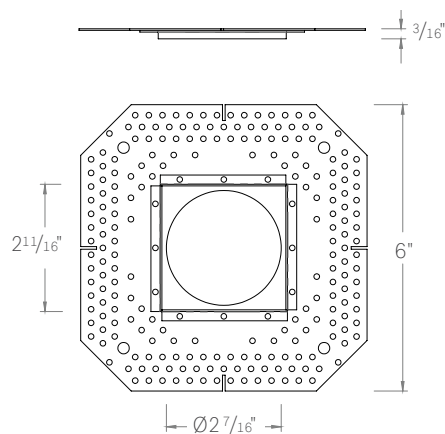
**ED1-SSTCW**  
CW Champagne Reflector with White Trim

## ECO 1" LED DOWNLIGHT

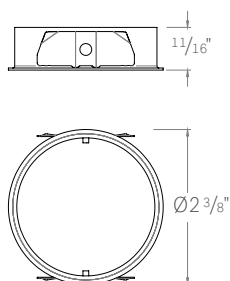
### ACCESSORIES



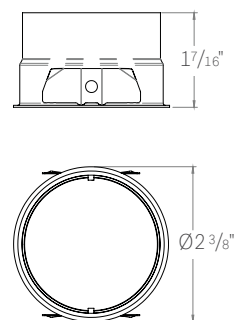
**ED1-R-FMA**  
ROUND FLUSH MOUNT ADAPTER



**ED1-S-FMA**  
SQUARE FLUSH MOUNT ADAPTER



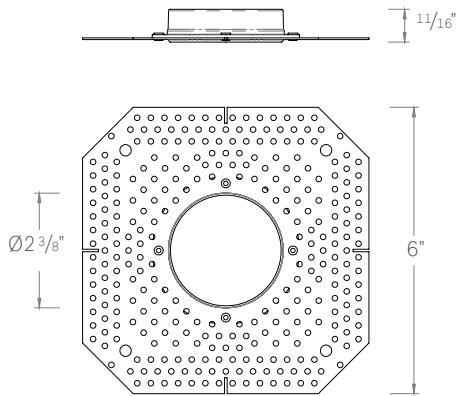
**ED1-TC1**  
THICK CEILING ADAPTER  
For ceilings 1-1/16" to 1-1/4"



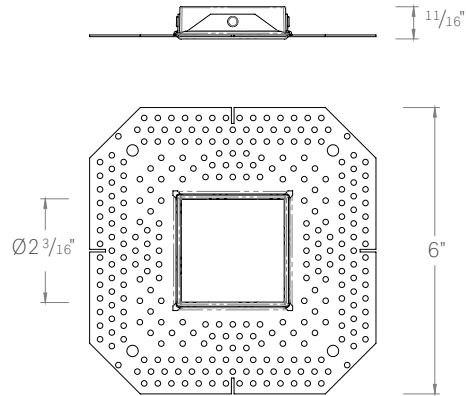
**ED1-TC2**  
THICK CEILING ADAPTER  
For ceilings 1-5/16" to 2"

**ECO 1" LED DOWNLIGHT**

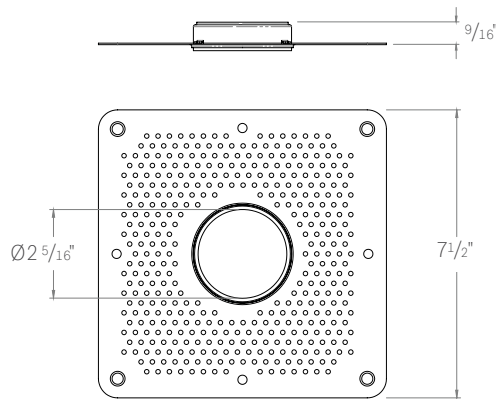
**TRIMLESS ACCESSORIES**



**ED1-R-TL**  
**ROUND TRIMLESS MUDPLATE**  
For use with SAIC housings only



**ED1-S-TL**  
**SQUARE TRIMLESS MUDPLATE**  
For use with SAIC housings only



**ED1-R-RMTL**  
**ROUND TRIMLESS MUDPLATE**  
For use with NC, NIC, RM, RIC housings only

Project: \_\_\_\_\_

Type: \_\_\_\_\_

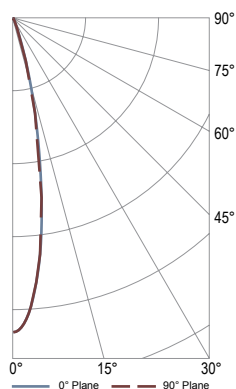
Note: \_\_\_\_\_

## ECO 1" LED DOWNLIGHT

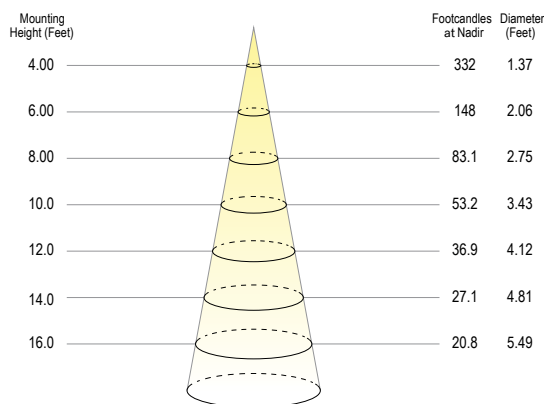
### PHOTOMETRICS

**Eco Downlight 1" SAIC model (2700K, 90 CRI, 10° Optic, 12W)**  
Round, Standard, White Trim

Polar Plot



Cone of Light Tabulation



VOLTAGE	CURRENT	POWER
120 VAC	0.09 A	10.22W

POWER FACTOR	FREQUENCY	CURRENT THD
0.993	60 Hz	8.7%

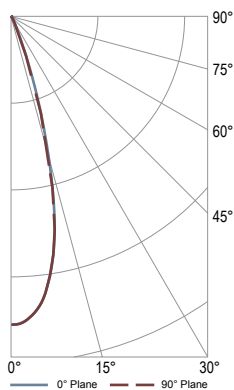
**Summary of Results**

Spacing Criteria	Total Lumen Output:	775.8 Lumens
0-180: 0.36	Luminaire Efficacy:	75.9 lm/w
90-270: 0.36	Maximum Candela:	5555 Candela

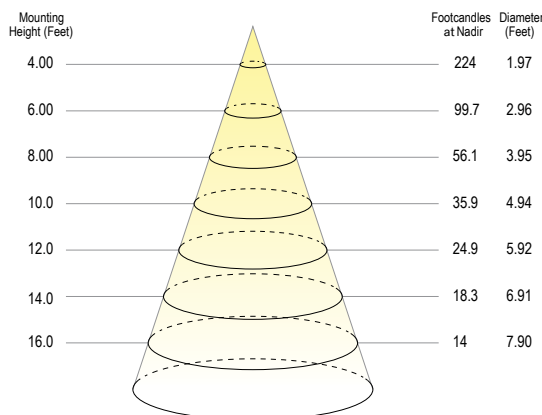
ZONE	LUMENS	% OF LUMINAIRE
0-20	715.3	92.2%
0-60	768.9	99.1%
0-90	775.8	100%

**Eco Downlight 1" SAIC model (2700K, 90 CRI, 30° Optic, 12W)**  
Round, Standard, White Trim

Polar Plot



Cone of Light Tabulation



VOLTAGE	CURRENT	POWER
120 VAC	0.09 A	10.23W

POWER FACTOR	FREQUENCY	CURRENT THD
0.994	60 Hz	8.6%

**Summary of Results**

Spacing Criteria	Total Lumen Output:	896.4 Lumens
0-180: 0.48	Luminaire Efficacy:	87.6 lm/w
90-270: 0.48	Maximum Candela:	4125 Candela

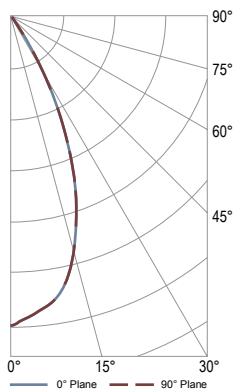
ZONE	LUMENS	% OF LUMINAIRE
0-30	878	97.9%
0-60	892.8	99.6%
0-90	896.4	100%

## ECO 1" LED DOWNLIGHT

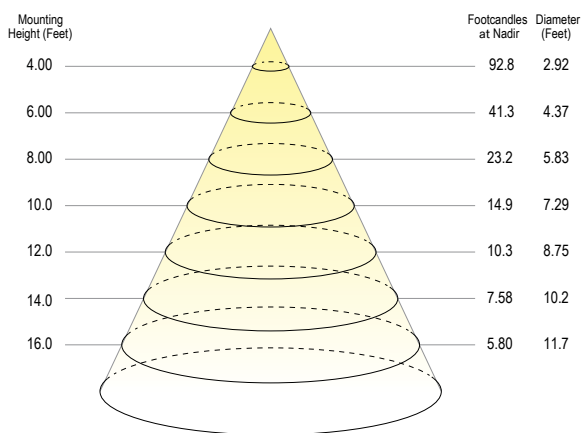
### PHOTOMETRICS

**Eco Downlight 1" SAIC model (2700K, 90 CRI, 50° Optic, 12W)**  
Round, Standard, White Trim

Polar Plot



Cone of Light Tabulation



VOLTAGE	CURRENT	POWER
120 VAC	0.09 A	10.2W

POWER FACTOR	FREQUENCY	CURRENT THD
0.994	60 Hz	8.6%

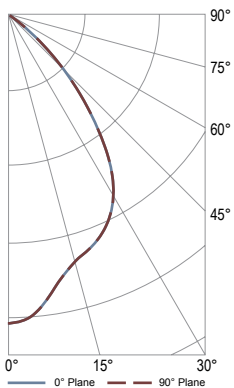
**Summary of Results**

<b>Spacing Criteria</b>	<b>Total Lumen Output:</b>	850.8 Lumens
	<b>0-180: 0.72</b>	<b>Luminaire Efficacy:</b> 83.3 lm/w
	<b>90-270: 0.72</b>	<b>Maximum Candela:</b> 1542 Candela

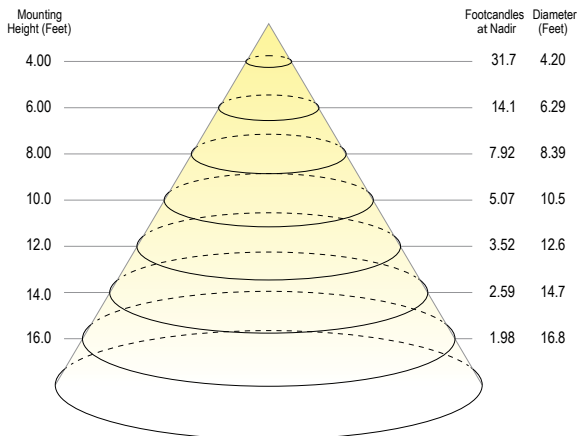
ZONE	LUMENS	% OF LUMINAIRE
0-40	829.5	97.5%
0-60	846.4	99.5%
0-90	850.8	100%

**Eco Downlight 1" SAIC model (2700K, 90 CRI, 80° Optic, 12W)**  
Round, Standard, White Trim

Polar Plot



Cone of Light Tabulation



VOLTAGE	CURRENT	POWER
120.0 VAC	0.09 A	10.22W

POWER FACTOR	FREQUENCY	CURRENT THD
0.994	60 Hz	8.7%

**Summary of Results**

<b>Spacing Criteria</b>	<b>Total Lumen Output:</b>	641.1 Lumens
	<b>0-180: 1.0</b>	<b>Luminaire Efficacy:</b> 63 lm/w
	<b>90-270: 1.0</b>	<b>Maximum Candela:</b> 527 Candela

ZONE	LUMENS	% OF LUMINAIRE
0-40	516	80.1%
0-60	630	97.8%
0-90	641	100%

Project: \_\_\_\_\_

Type: \_\_\_\_\_

Note: \_\_\_\_\_

## ECO 1" LED DOWNLIGHT

**FOR DRIVER TYPE "S"**

Universal Dimming Driver, ED1 and ED1L

**COMPATIBLE PHASE CONTROL DIMMERS**

MFG	MODEL	MFG	MODEL
Lutron	LGCL-153PL	Leviton	VPE06
Lutron	DVRP-253P	Leviton	DW1KD-1BZ
Lutron	RRD-6CL	Leviton	IPE04
Lutron	NTELV-600P	Leviton	IPL06
Lutron	DVELV-303P	Cooper	SAL06P
Lutron	MAELV-600		
Lutron	PD-6WCL		
Lutron	SELV-300P		
Lutron	DVCL-153-P		

**COMPATIBLE 0-10VDC DIMMERS**

MFG	MODEL
Lutron	NFTV
Lutron	DTV
Lutron	DVSTV
Leviton	IP710-LFZ
Lightolier	SR1200ZTUNV
Cooper	SF10P-W
Leviton	IP710-DL

Compatible dimmer information provided by the dimming driver manufacturer