

Project: _____

Type: _____

Note: _____

2", 3", 5" LED ENTITY - PENDANT



2" Entity Pendant with Standard Retro Fit Canopy



3" Entity Pendant with Standard Retro Fit Canopy



5" Entity Pendant with Standard Retro Fit Canopy



5" Entity Pendant with Conduit 3-1/4" Canopy*

*Conduit 3-7/8" Canopy also available

LED LIGHT ENGINE	
RATED WATTAGE	2" (10W, 15W), 3" and 5" (15W-30W)
DELIVERED LUMENS	Up to: 2" 1554 lm, 3" 3175 lm, 5" 3383 lm
CCT/CRI	2700K 90CRI, 3000K 90CRI, 4000K 80CRI, WARM DIM 98CRI
COLOR QUALITY	2700K-3500K 90+ CRI, 2-Step SDCM
LED LIFETIME	55,000 hours @ L90

SILENT VU™ OPTICS TECHNOLOGY	
OPTICS	10°, 30°, 50°, 80° Available
ADJUSTABLE	Non Adjustable
OPTICAL MEDIA	Clear, Solite, Frosted, Linear Spread, Hex Louver

POWER SUPPLY	
INPUT VOLTAGE	120/277V, 50/60Hz
DIMMING	Multiple Dimming Drivers Available
SERVICABILITY	Light Module and Driver Field Serviceable

SIZE	MAX POWER	LUMENS @ 3500K			
		10° Optic	30° Optic	50° Optic	80° Optic
2"	15 Watt	1224 lm	1306 lm	1205 lm	1017 lm
3"	30 Watt	2227 lm	2646 lm	2440 lm	2023 lm
5"	30 Watt	2637 lm	2891 lm	2875 lm	1944 lm

STANDARD FINISH

- WT (Semi Gloss White)
- MB (Matte Black)
- All custom finishes available (see p 5)

MOUNTING

- 5" x 1/2" canopy included with standard universal dim driver
- Additional Canopies included, New Construction, Alternative Driver, Conduit Canopies.
- 4' of stem included: (1) 6", (2) 12" and (1) 18" (includes couplers)
- Standard Driver Canopy mounts a 4" round Junction Box.
- Alternative Driver Canopy mounts to standard 4" round and square Junction Boxes.
- Conduit Canopies mount to 4" Octagon Junction Box.
- CC1: 1-1/2" tall Junction Box, CC2: 2-1/8" tall Junction Box.
- Conduit Canopies are supplied with 4X 3/4" Open Conduit Covers and 3X Solid Covers.

CCT MULTIPLIER CHART

SIZE	2700K 90CRI	3000K 90CRI	3500K 90 CRI	4000K 90CRI	WARM DIM 98CRI
2"	0.92	0.97	1.00	1.19	0.65
3"	0.91	0.97	1.00	1.20	0.60
5"	0.92	0.96	1.00	1.17	0.63

POWER MULTIPLIER CHART

SIZE	10W	15W	20W	25W	30W
2"	0.75	1.00			
3"		0.57	0.65	0.78	1.00
5"		0.50	0.70	0.90	1.00

LISTING/WARRANTY

- Five (5) year limited warranty
- UL Listed for 35°C Ambient
- cULus Listed for Wet Location
- CA Title 24-JA8 Compliant



Project: _____

Type: _____

Note: _____

2", 3", 5" LED ENTITY - PENDANT

2" PENDANT ORDER MATRIX

2" Entity LED Pendant

(Example: SS4021-R2-10-27-30-CL-CL-WT-C-1-S-ST)

SHAPE	WATTAGE	CCT & CRI	OPTIC	MEDIA 1	MEDIA 2
SS4021-R2 Entity Pendant Downlight 2" Round	-10 10W	-27 2700K 90CRI	-10 10° Spot	(blank) None	(blank) None
SS4021-S2 Entity Pendant Downlight 2" Square	-15 15W	-30 3000K 90CRI	-30 30° Narrow Flood	CL Clear Lens	CL Clear Lens
		-35 3500K 90CRI	-50 50° Flood	MP Solite Lens	MP Solite Lens
		-40 4000K 80CRI	-80* 80° Wide Flood	FR Frosted Lens	FR Frosted Lens
		-WD* Warm Dim 98CRI	*WD with 80° Optic not CA title 24 compliant.	LS Linear Spread Lens	LS Linear Spread Lens
		*Media 1 lens required. For WD with 10°, 30°, 50° Optic use MP (Solite Lens). For WD with 80° Optic use FR (Frosted Lens)		HEX Hex Louver	Holds 1 Media only when HEX selected
STANDARD FINISH		COASTAL COATING	REVISION	STANDARD DRIVER	
-WT Semi Gloss White	(blank) None	-1 Revision	-S Universal Dim Driver: 1%-100% 0-10V, TRIAC, ELV, 120V/277V		
-MB Matte Black	-C Coastal Coating	ALTERNATIVE DRIVER			
- Color Finish <small>See p 5 for Color Finish Codes</small>			-L3 Lutron Dim Driver: 1%-100% EcoSystem, 120V/277V		
			-EL1 EldoLED DALI Dim: 1%-100% DALI, 120V/277V		
			-EL2 EldoLED Dim: 0.1%-100% 0-10V, 120V/277V		
			-DMX DMX Dim: 1%-100% DMX, 120V/277V		
<small>NOTE: Ambient temperature rated for 25°C</small>					

Accessories (2" Entity)

HANGING OPTIONS	CANOPY	OPTIC	MEDIA
-ST Stem - Retro Fit	(blank) Non Conduit	C2-10-OPTIC 10° Spot	C2-CL Clear Lens
-NCST Stem - New Construction	-CC1 Conduit 3-1/4" Canopy	C2-30-OPTIC 30° Narrow Flood	C2-MP Solite Lens
-BC 10' Black Cord - Retro Fit	-CC2 Conduit 3-7/8" Canopy	C2-50-OPTIC 50° Flood	C2-FR Frosted Lens
-WC 10' White Cord - Retro Fit	<small>NOTE: CC1/CC2 Canopies only available with Standard Driver and ST, BC, or WC Hanging Options.</small>	C2-80-OPTIC 80° Wide Flood	C2-LS Linear Spread Lens
-NCBC 10' Black Cord - New Construction		C2-HEX Hex Louver	
-NCWC 10' White Cord - New Construction			

EMERGENCY OPTIONS

EM-1000 25W Remote Inverter	EM-1003-CA 35W Remote Inverter - Title 20	EM-1006 25W Remote Inverter - Title 20
EM-1002 10W Remote Emergency Driver - Title 20	EM-1004 50W Remote Inverter	

Project: _____

Type: _____

Note: _____

2", 3", 5" LED ENTITY - PENDANT

3" PENDANT ORDER MATRIX

3" Entity LED Pendant

(Example: SS4021-R3-25-35-50-CL-MB-C-1-S-ST)

SHAPE	WATTAGE	CCT & CRI	OPTIC	MEDIA 1	MEDIA 2
SS4021-R3 Entity Pendant Downlight 3" Round	-15 15W	-27 2700K 90CRI	-10 10° Spot	(blank) None	(blank) None
SS4021-S3 Entity Pendant Downlight 3" Square	-20 20W	-30 3000K 90CRI	-30 30° Narrow Flood	CL Clear Lens	CL Clear Lens
	-25 25W	-35 3500K 90CRI	-50 50° Flood	MP Solite Lens	MP Solite Lens
	-30 30W	-40 4000K 80CRI	-80* 80° Wide Flood	FR Frosted Lens	FR Frosted Lens
		-WD* Warm Dim 98CRI	*WD with 80° Optic not CA title 24 compliant.	LS Linear Spread Lens	LS Linear Spread Lens
		*Media 1 lens required. For WD with 10°, 30°, 50° Optic use MP (Solite Lens). For WD with 80° Optic use FR (Frosted Lens)		HEX Hex Louver	Holds 1 Media only when HEX selected
STANDARD FINISH		COASTAL COATING	REVISION	STANDARD DRIVER	
-WT Semi Gloss White	(blank) None	-6 Revision	-S Universal Dim Driver: 1%-100% 0-10V, TRIAC, ELV, 120V/277V		
-MB Matte Black	-C Coastal Coating		ALTERNATIVE DRIVER		
- Color Finish See p 5 for Color Finish Codes			-L3 Lutron Dim Driver: 1%-100% EcoSystem, 120V/277V		
			-EL1 EldoLED DALI Dim: 1%-100% DALI, 120V/277V		
			-EL2 EldoLED Dim: 0.1%-100% 0-10V, 120V/277V		
			-DMX DMX Dim: 1%-100% DMX, 120V/277V		
NOTE: Ambient temperature rated for 25°C					

Accessories (3" Entity)

HANGING OPTIONS	CANOPY	OPTIC	MEDIA
-ST Stem - Retro Fit	(blank) Non Conduit	C3-10-OPTIC 10° Spot	C3-CL Clear Lens
-NCST Stem - New Construction	-CC1 Conduit 3-1/4" Canopy	C3-30-OPTIC 30° Narrow Flood	C3-MP Solite Lens
-BC 10' Black Cord - Retro Fit	-CC2 Conduit 3-7/8" Canopy	C3-50-OPTIC 50° Flood	C3-FR Frosted Lens
-WC 10' White Cord - Retro Fit		C3-80-OPTIC 80° Wide Flood	C3-LS Linear Spread Lens
-NCBC 10' Black Cord - New Construction	NOTE: CC1/CC2 Canopies only available with Standard Driver and ST, BC, or WC Hanging Options.		C3-HEX Hex Louver
-NCWC 10' White Cord - New Construction			

EMERGENCY OPTIONS

EM-1000 25W Remote Inverter

EM-1003-CA 35W Remote Inverter - Title 20

EM-1006 25W Remote Inverter - Title 20

EM-1002 10W Remote Emergency Driver - Title 20

EM-1004 50W Remote Inverter

Project: _____

Type: _____

Note: _____

2", 3", 5" LED ENTITY - PENDANT

5" PENDANT ORDER MATRIX

5" Entity LED Pendant

(Example: SS4021-RF5-10-27-30-CL-CL-WT-C-1-S)

SHAPE	WATTAGE	CCT & CRI	OPTIC	MEDIA 1	MEDIA 2
SS4021-R5 Entity Pendant Downlight 5" Round	-15 15W	-27 2700K 90CRI	-10 10° Spot	(blank) None	(blank) None
SS4021-S5 Entity Pendant Downlight 5" Square	-20 20W	-30 3000K 90CRI	-30 30° Narrow Flood	CL Clear Lens	CL Clear Lens
	-25 25W	-35 3500K 90CRI	-50 50° Flood	MP Solite Lens	MP Solite Lens
	-30 30W	-40 4000K 80CRI	-80* 80° Wide Flood	FR Frosted Lens	FR Frosted Lens
		-WD* Warm Dim 98CRI		LS Linear Spread Lens	LS Linear Spread Lens
		*Media 1 lens required. For WD with 10°, 30°, 50° Optic use MP (Solite Lens). For WD with 80° Optic use FR (Frosted Lens)	*WD with 80° Optic not CA title 24 compliant.	HEX Hex Louver	Holds 1 Media only when HEX selected
STANDARD FINISH		COASTAL COATING	REVISION	STANDARD DRIVER	
-WT Semi Gloss White	(blank) None	-3 Revision	-S Universal Dim Driver: 1%-100% 0-10V, TRIAC, ELV, 120V/277V		
-MB Matte Black	-C Coastal Coating		ALTERNATIVE DRIVER		
- Color Finish See p 5 for Color Finish Codes			-L3 Lutron Dim Driver: 1%-100% EcoSystem, 120V/277V		
			-EL1 EldoLED DALI Dim: 1%-100% DALI, 120V/277V		
			-EL2 EldoLED Dim: 0.1%-100% 0-10V, 120V/277V		
			-DMX DMX Dim: 1%-100% DMX, 120V/277V		
NOTE: Ambient temperature rated for 25°C					

Accessories (5" Entity)

HANGING OPTIONS	CANOPY	OPTIC	MEDIA
-ST Stem - Retro Fit	(blank) Non Conduit	C5-10-OPTIC 10° Spot	C5-CL Clear Lens
-NCST Stem - New Construction	-CC1 Conduit 3-1/4" Canopy	C5-30-OPTIC 30° Narrow Flood	C5-MP Solite Lens
-BC 10' Black Cord - Retro Fit	-CC2 Conduit 3-7/8" Canopy	C5-50-OPTIC 50° Flood	C5-FR Frosted Lens
-WC 10' White Cord - Retro Fit		C5-80-OPTIC 80° Wide Flood	C5-LS Linear Spread Lens
-NCBC 10' Black Cord - New Construction	NOTE: CC1/CC2 Canopies only available with Standard Driver and ST, BC, or WC Hanging Options.		C5-HEX Hex Louver
-NCWC 10' White Cord - New Construction			

EMERGENCY OPTIONS

EM-1000 25W Remote Inverter	EM-1003-CA 35W Remote Inverter - Title 20	EM-1006 25W Remote Inverter - Title 20
EM-1002 10W Remote Emergency Driver - Title 20	EM-1004 50W Remote Inverter	

CSL | ENTITY CYLINDERS

Spec-00284 Entity Pendant, V2.0

Revised 01/05/26

Project: _____

Type: _____

Note: _____

2", 3", 5" LED ENTITY - PENDANT

STANDARD FINISH

(Stem Mount Shown)



WI

Semi Gloss White



MB

Matte Black

COLOR FINISH

(Stem Mount Shown)



FLG

Flannel Gray



PNA

Painted Natural
Aluminum



TBZ

Textured Bronze



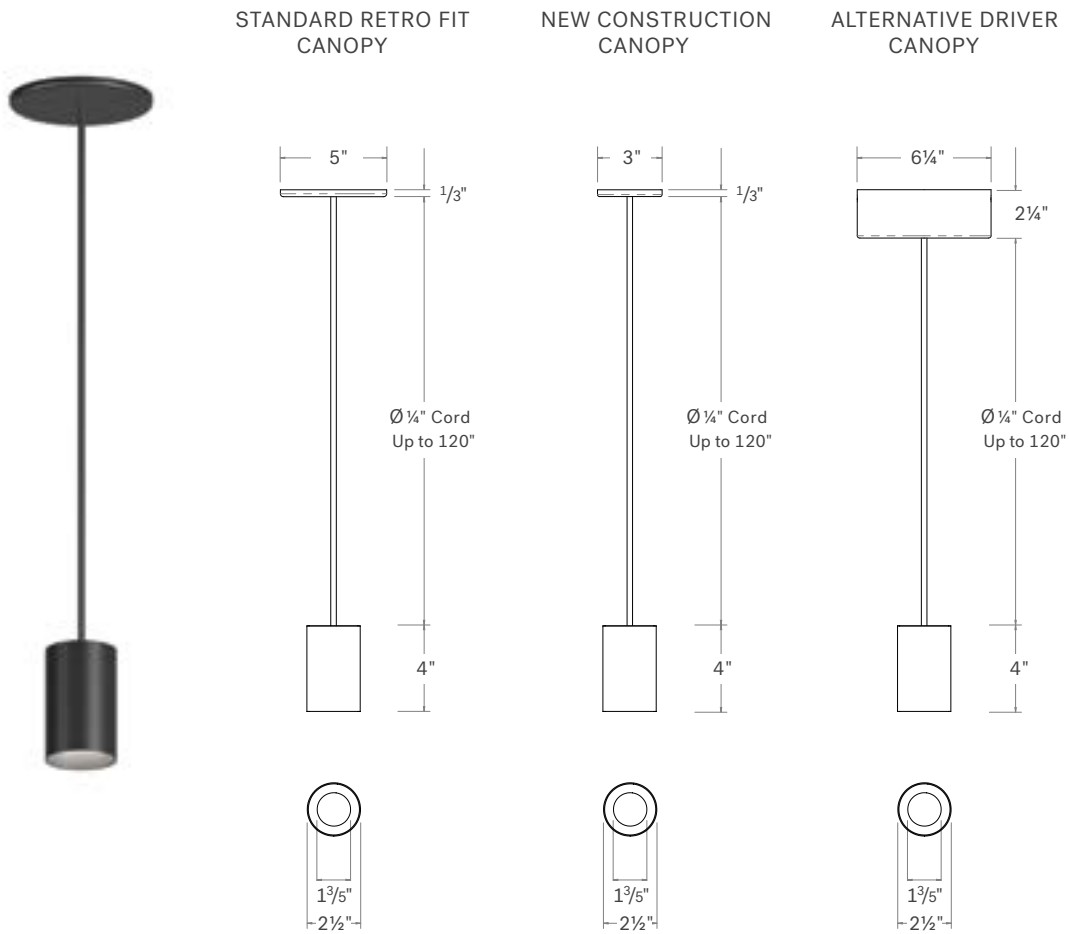
TGP

Textured Graphite

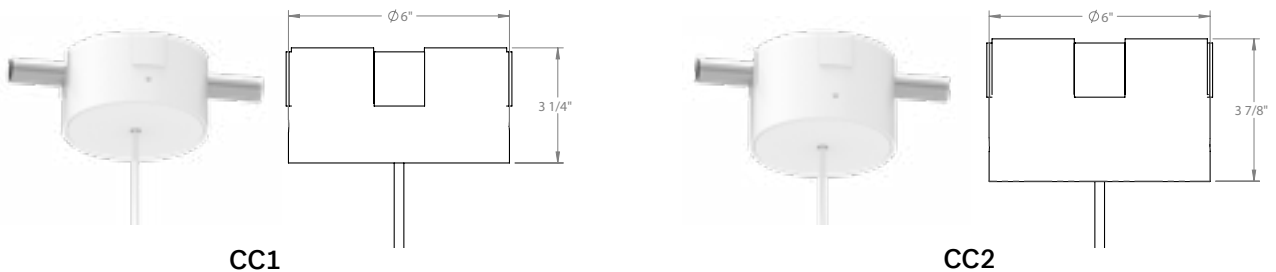
2", 3", 5" LED ENTITY - PENDANT

2" ROUND ENTITY PENDANT

SS4021-R2 (2" Entity Round Downlight - Pendant Cord Mount)



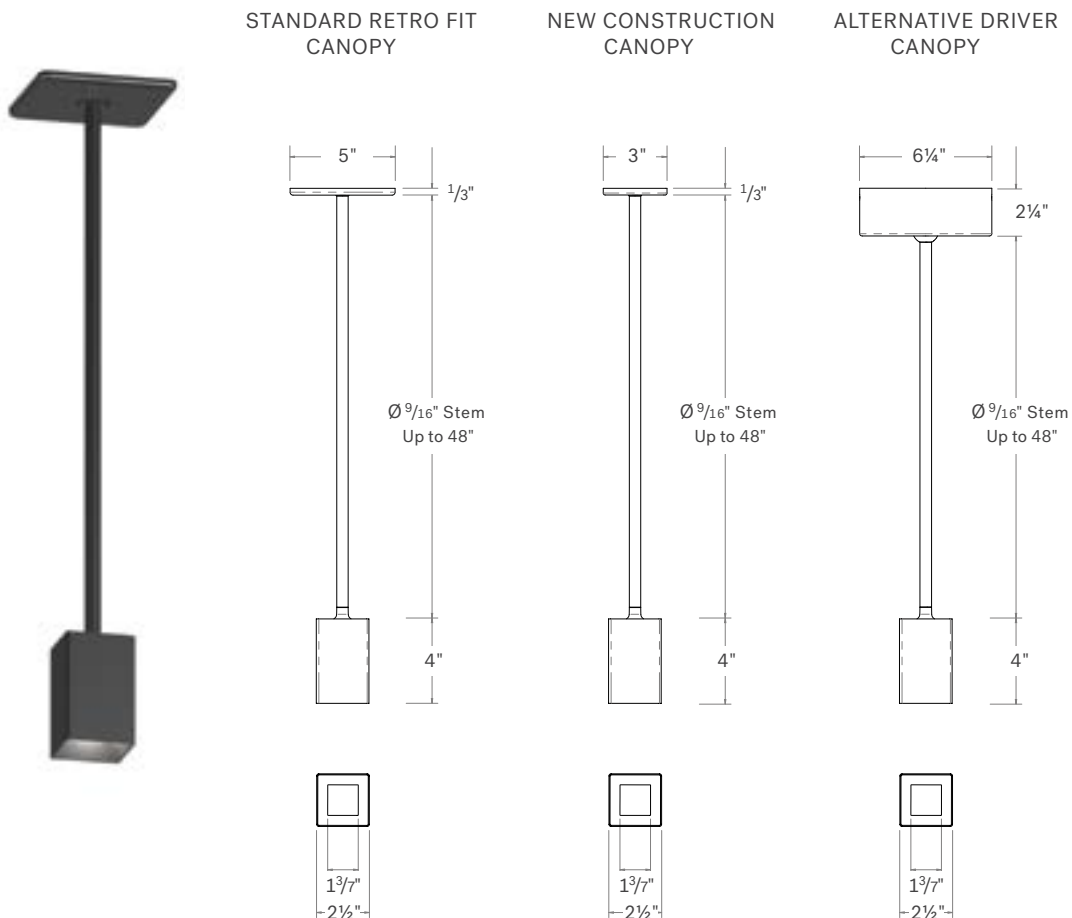
R2 Cord Mount with CC1 and CC2 Conduit Canopy:



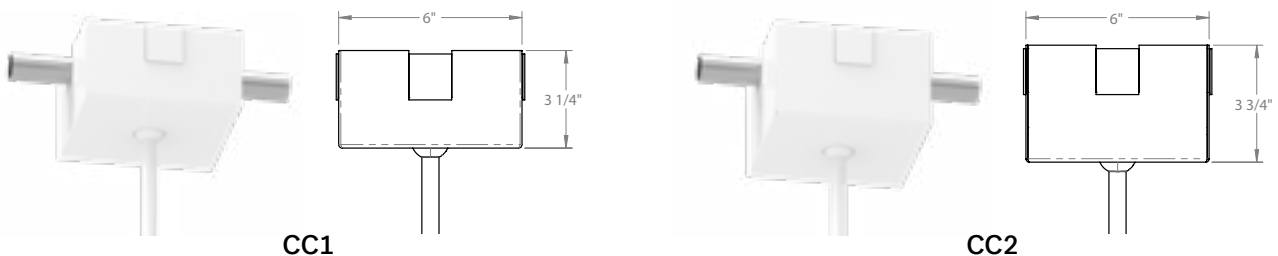
2", 3", 5" LED ENTITY - PENDANT

2" SQUARE ENTITY PENDANT

SS4021-S2 (2" Entity Square Downlight - Pendant Stem Mount)



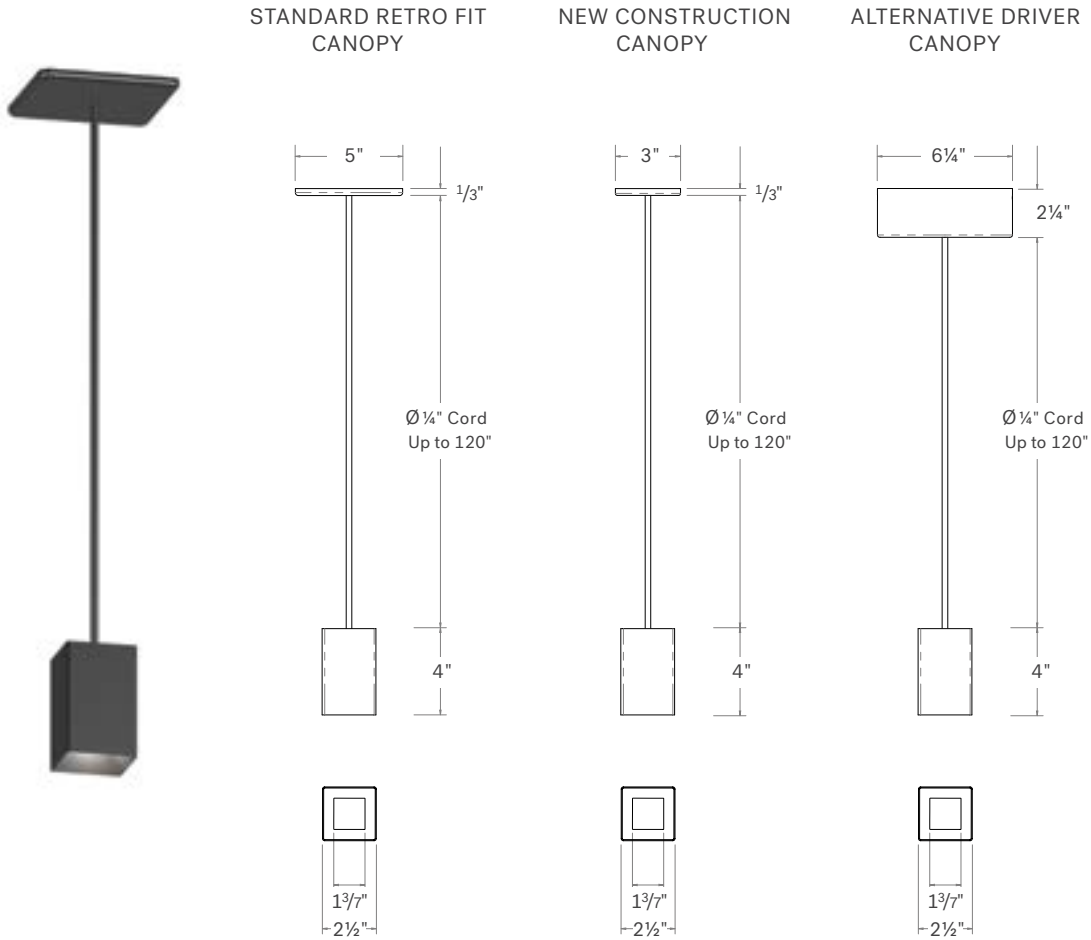
S2 Stem Mount with CC1 and CC2 Conduit Canopy:



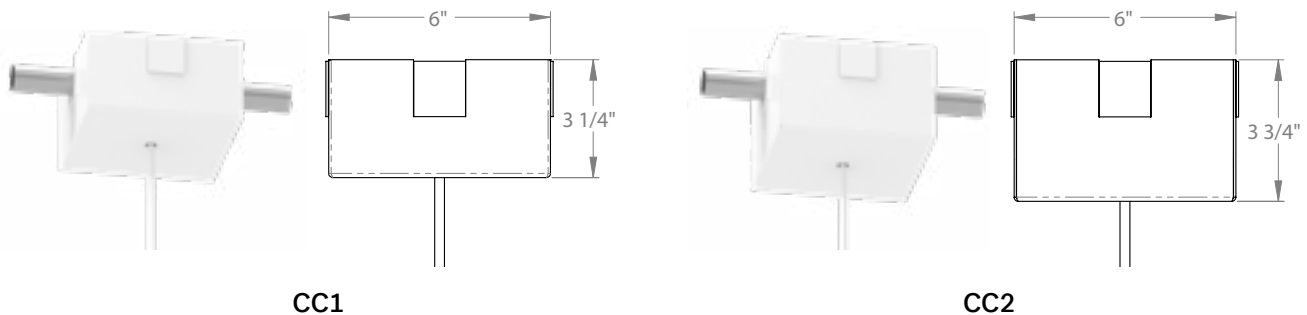
2", 3", 5" LED ENTITY - PENDANT

2" SQUARE ENTITY PENDANT

SS4021-S2 (2" Entity Square Downlight - Pendant Cord Mount)



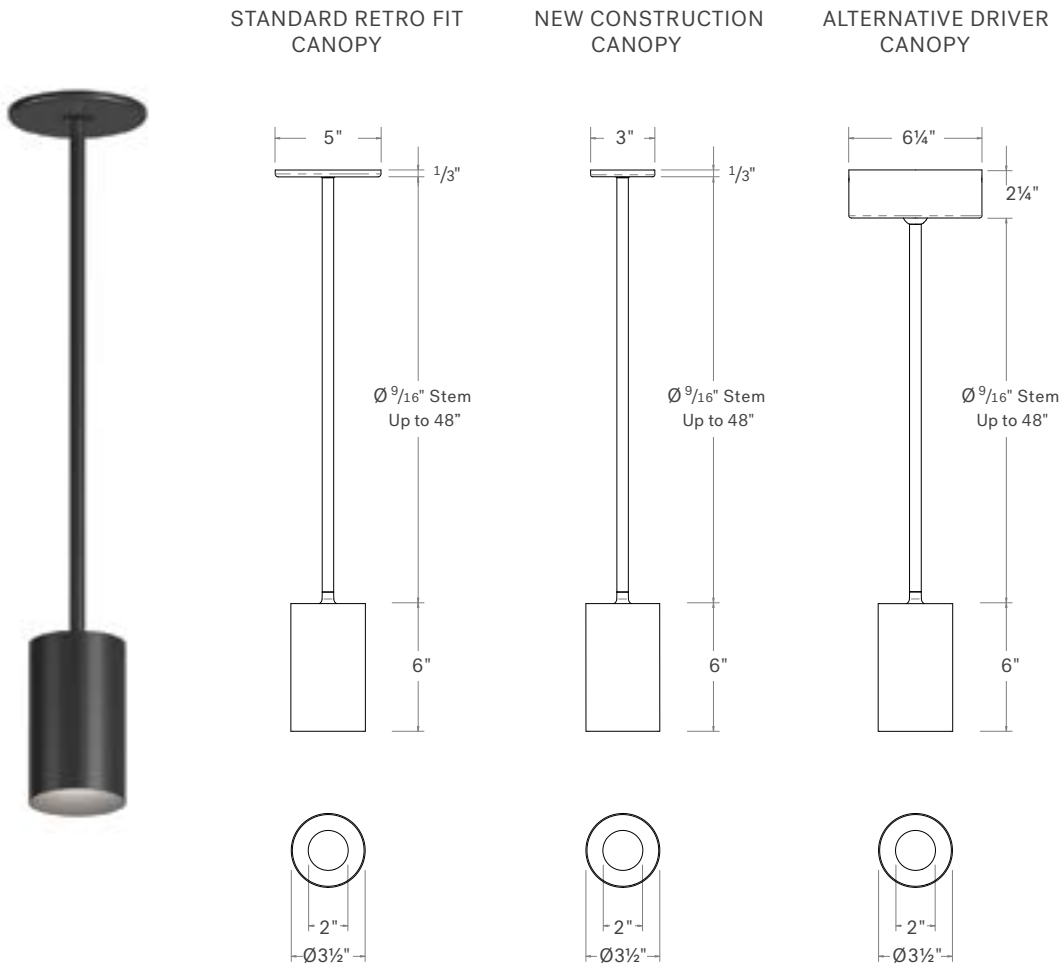
S2 Cord Mount with CC1 and CC2 Conduit Canopy:



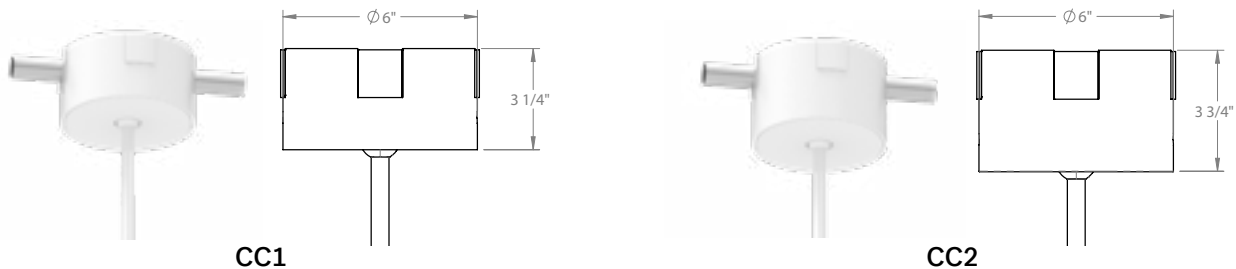
2", 3", 5" LED ENTITY - PENDANT

3" ROUND ENTITY PENDANT

SS4021-R3 (3" Entity Round Downlight - Pendant Stem Mount)



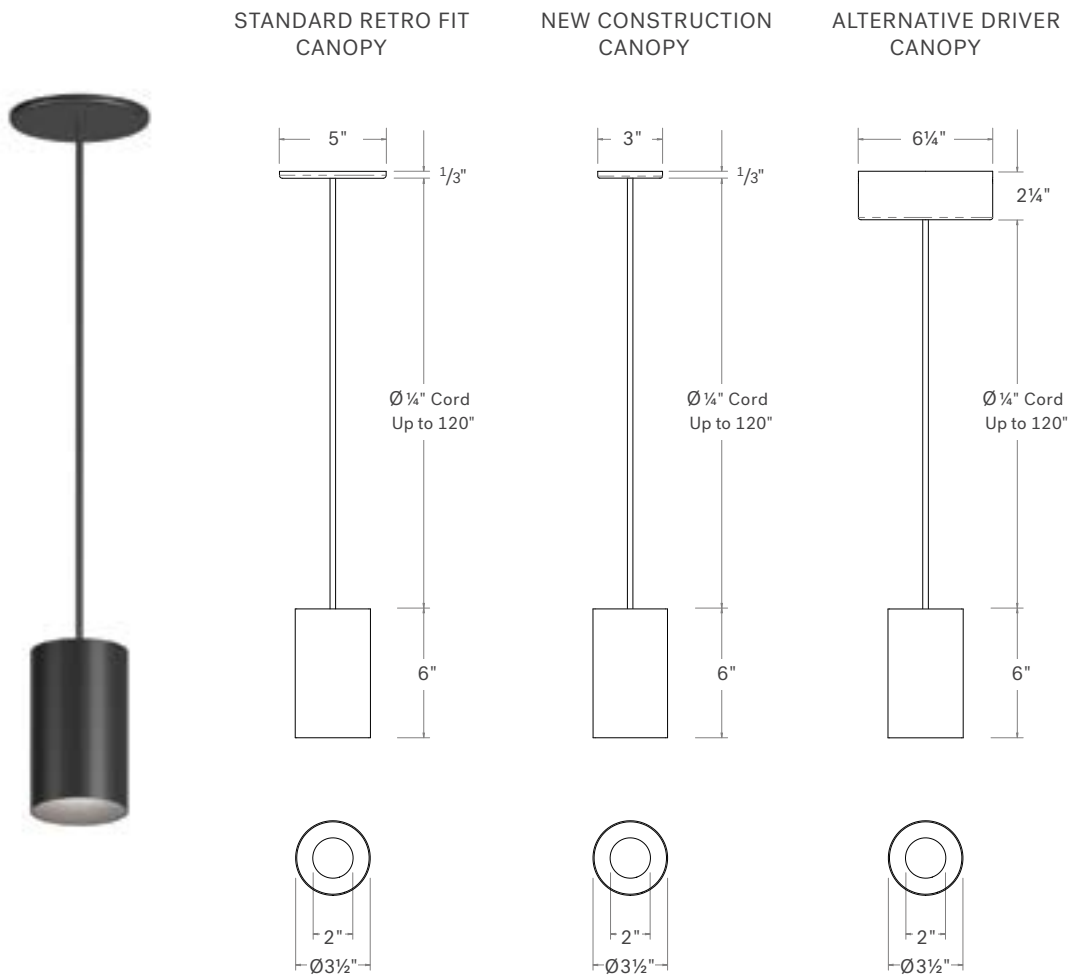
R3 Stem Mount with CC1 and CC2 Conduit Canopy:



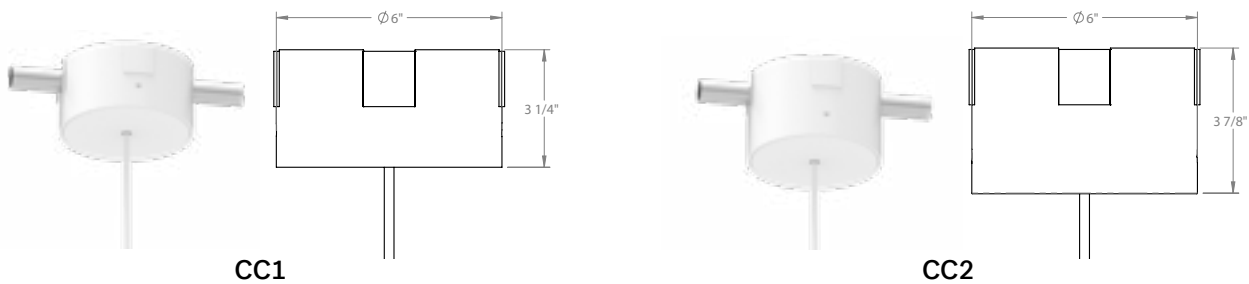
2", 3", 5" LED ENTITY - PENDANT

3" ROUND ENTITY PENDANT

SS4021-R3 (3" Entity Round Downlight - Pendant Cord Mount)



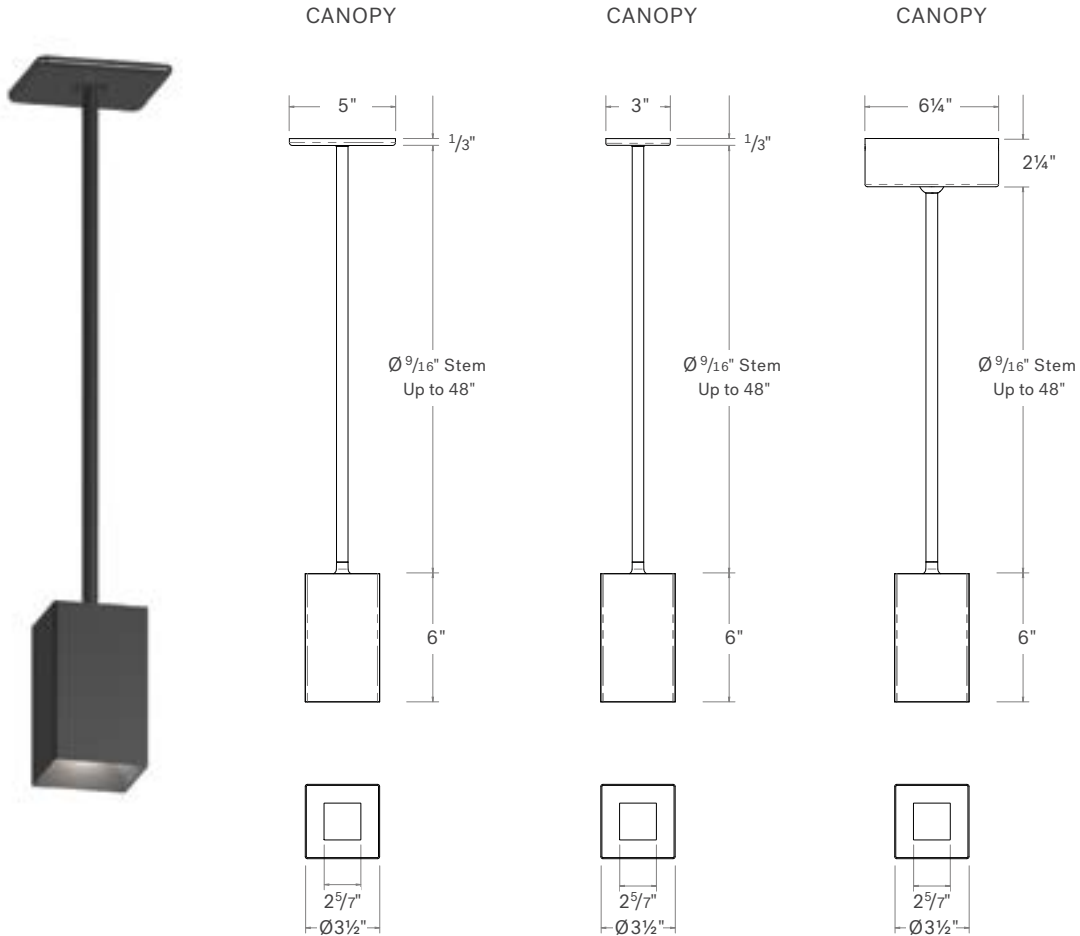
R3 Cord Mount with CC1 and CC2 Conduit Canopy:



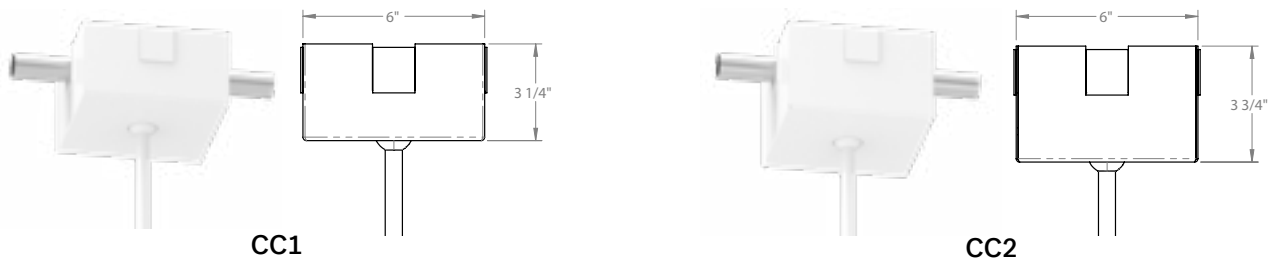
2", 3", 5" LED ENTITY - PENDANT

3" SQUARE ENTITY PENDANT

SS4021-S3 (3" Entity Square Downlight - Pendant Stem Mount)



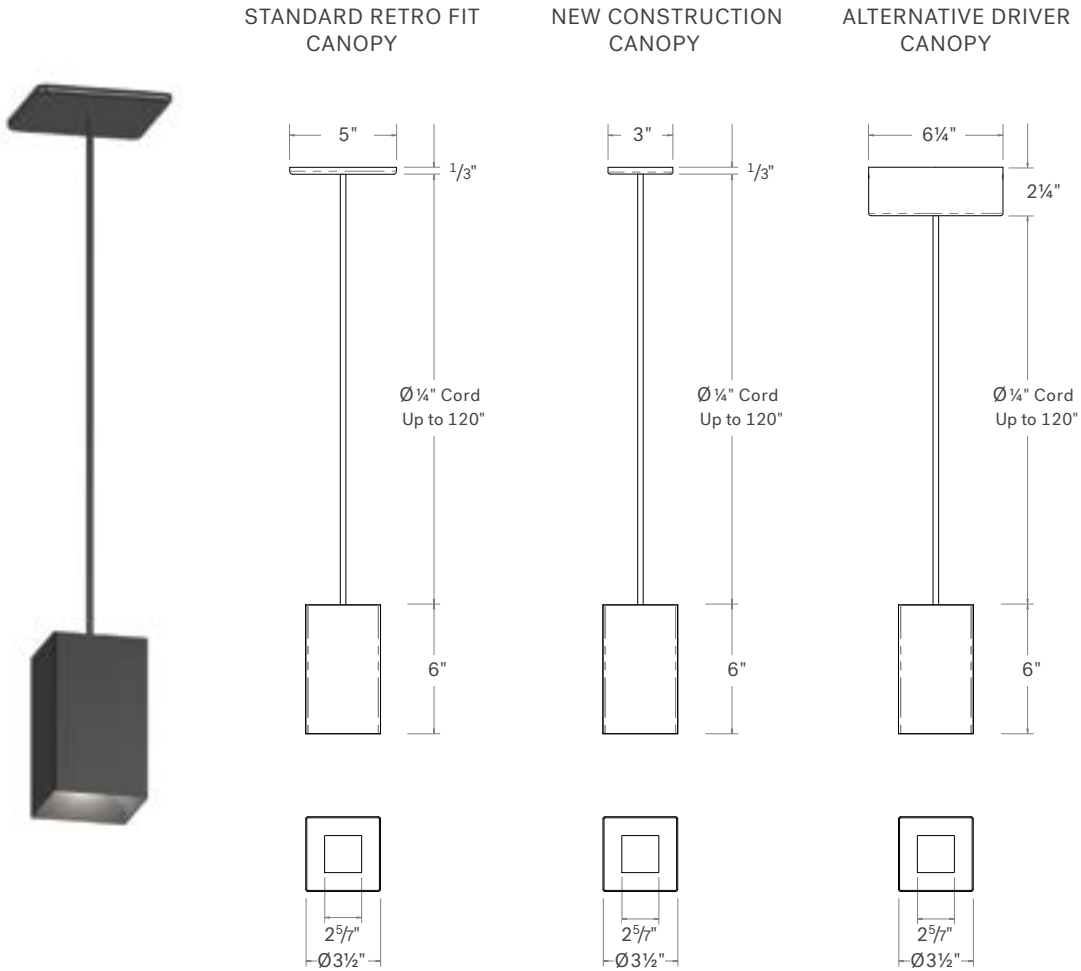
S3 Stem Mount with CC1 and CC2 Conduit Canopy:



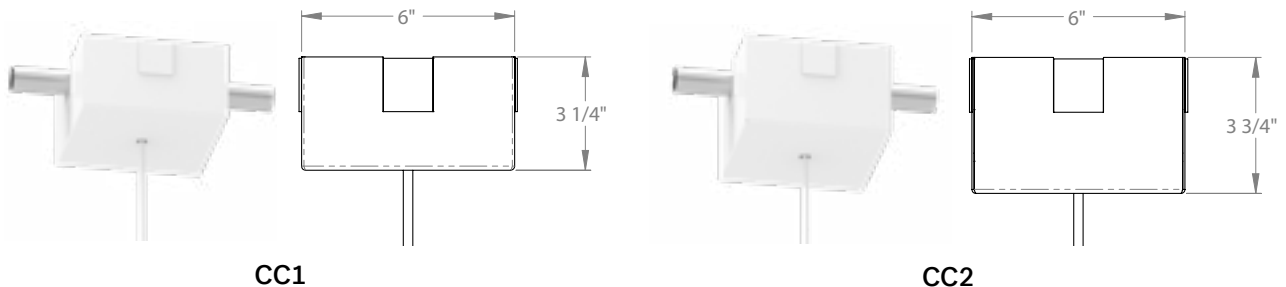
2", 3", 5" LED ENTITY - PENDANT

3" SQUARE ENTITY PENDANT

SS4021-S3 (3" Entity Square Downlight - Pendant Cord Mount)



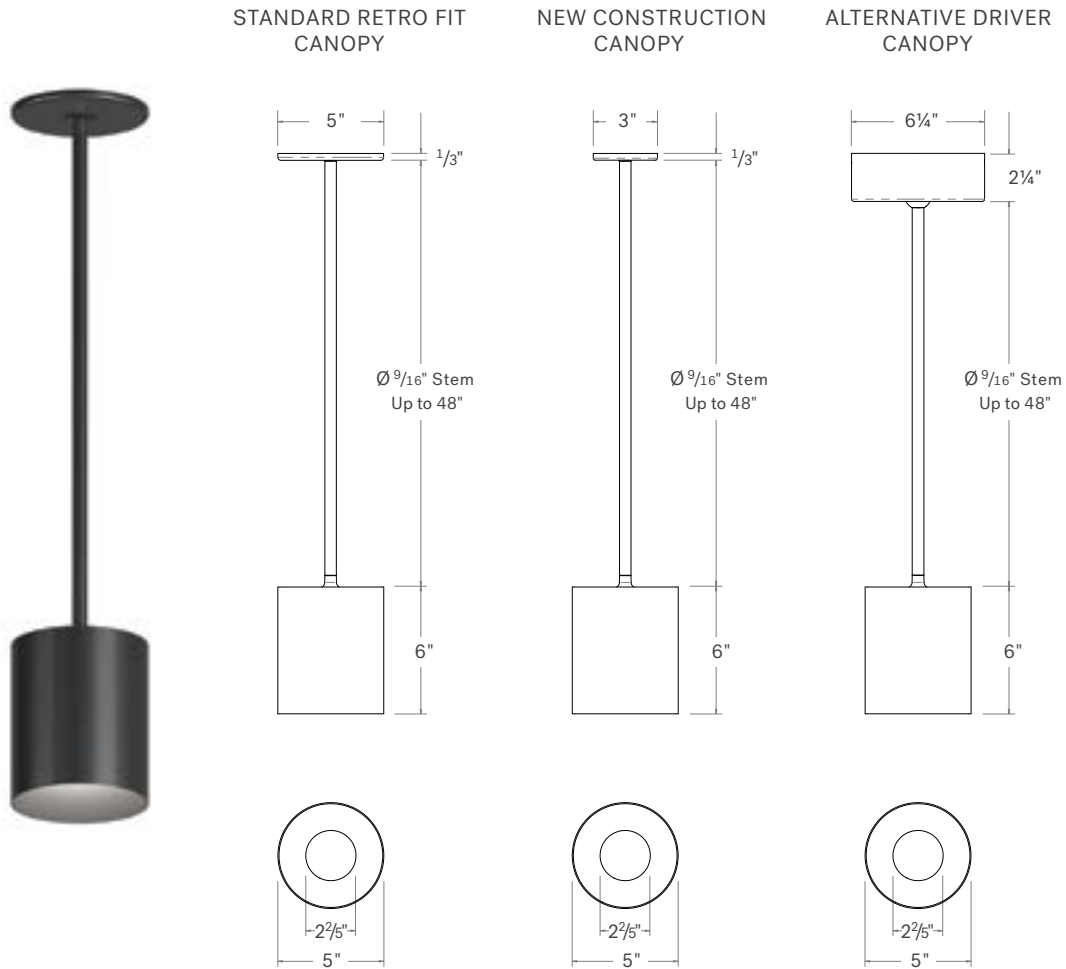
S3 Cord Mount with CC1 and CC2 Conduit Canopy:



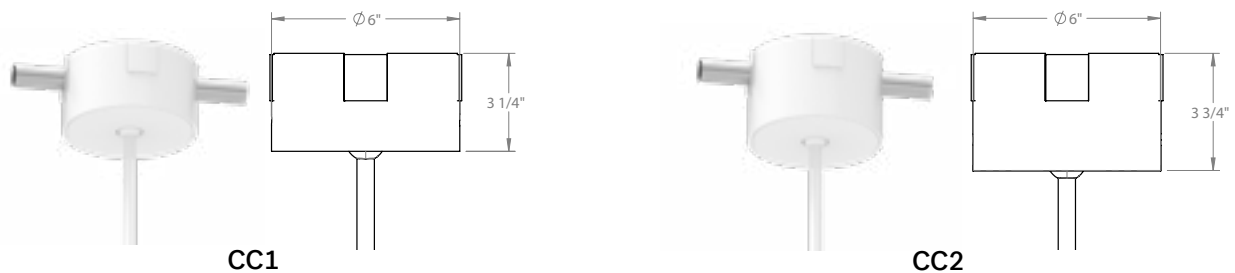
2", 3", 5" LED ENTITY - PENDANT

5" ROUND ENTITY PENDANT

SS4021-R5 (5" Entity Round Downlight - Pendant Stem Mount)



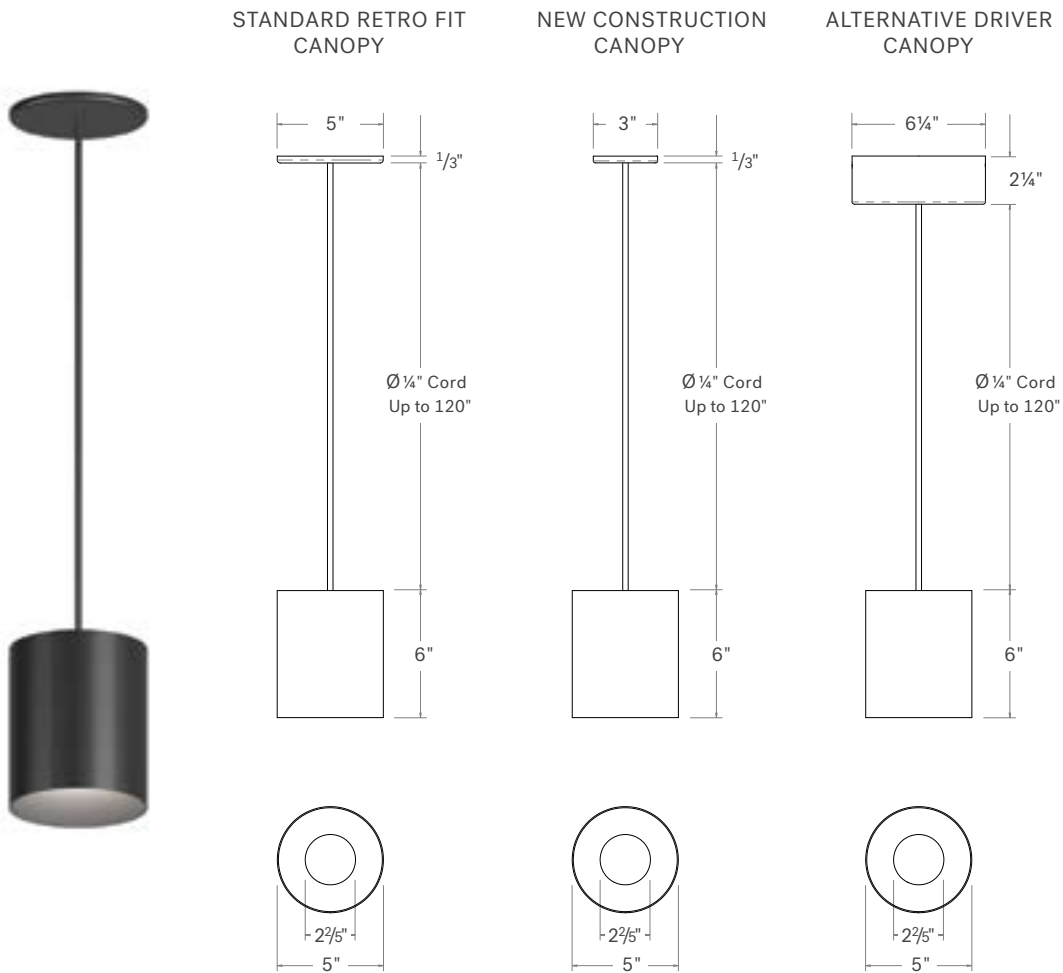
R5 Stem Mount with CC1 and CC2 Conduit Canopy:



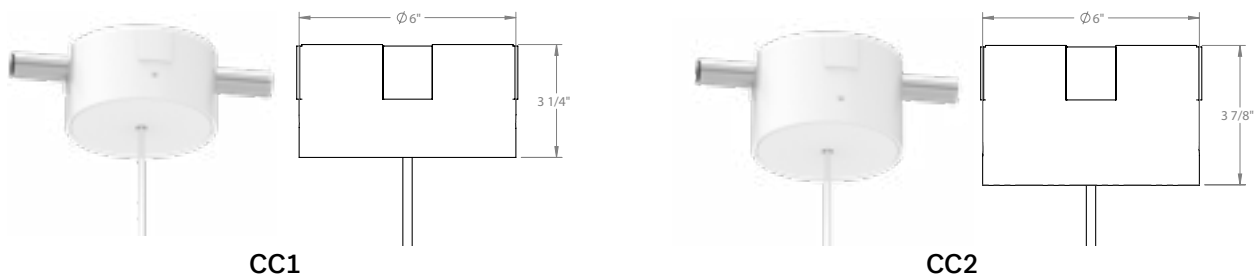
2", 3", 5" LED ENTITY - PENDANT

5" ROUND ENTITY PENDANT

SS4021-R5 (5" Entity Round Downlight - Pendant Cord Mount)



R5 Cord Mount with CC1 and CC2 Conduit Canopy:



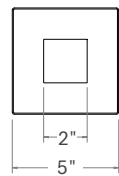
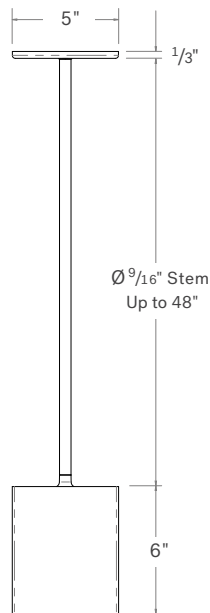
2", 3", 5" LED ENTITY - PENDANT

5" SQUARE ENTITY PENDANT

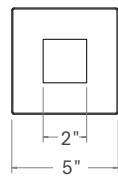
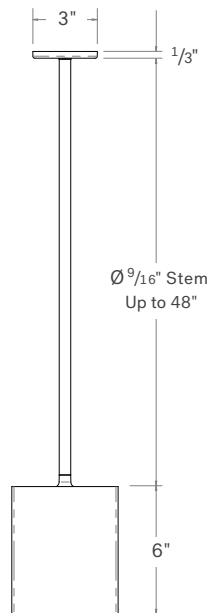
SS4021-S5 (5" Entity Square Downlight - Pendant Stem Mount)



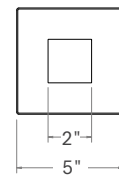
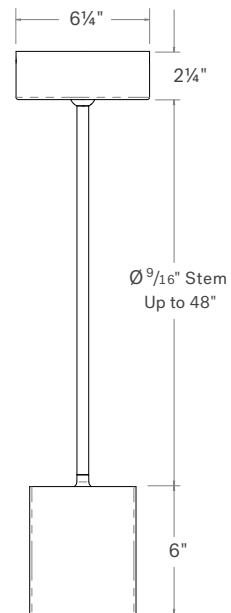
STANDARD RETRO FIT
CANOPY



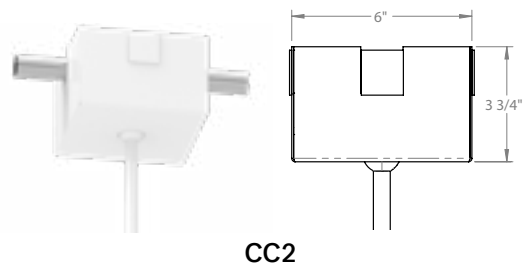
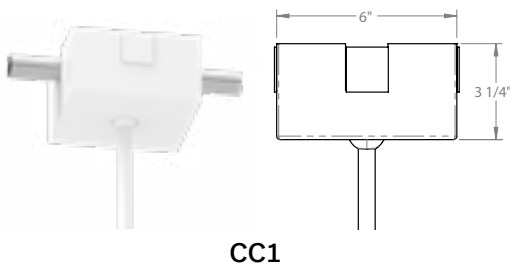
NEW CONSTRUCTION
CANOPY



ALTERNATIVE DRIVER
CANOPY



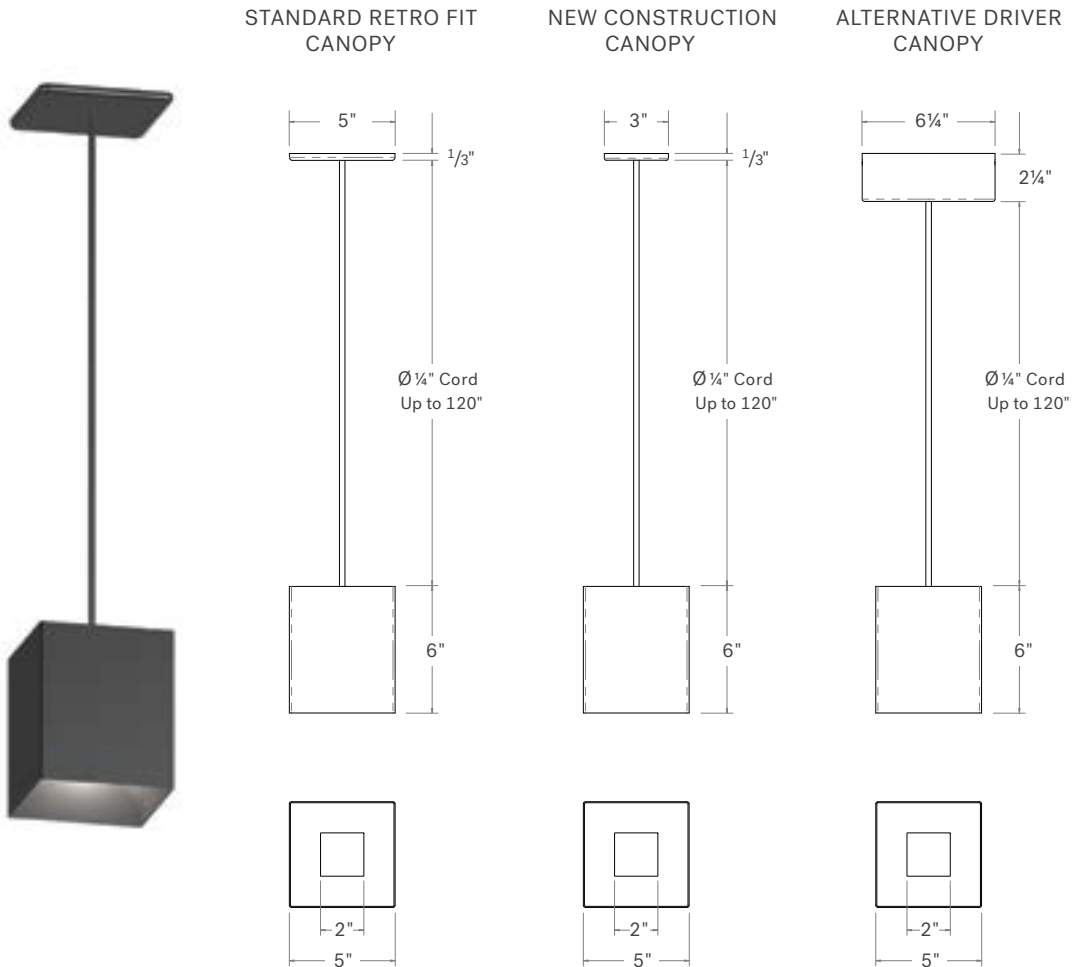
S5 Stem Mount with CC1 and CC2 Conduit Canopy:



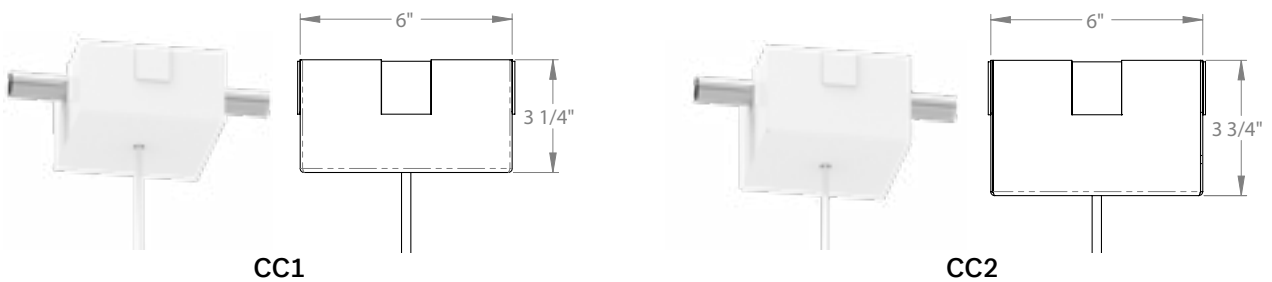
2", 3", 5" LED ENTITY - PENDANT

5" SQUARE ENTITY PENDANT

SS4021-S5 (5" Entity Square Downlight - Pendant Cord Mount)



S5 Cord Mount with CC1 and CC2 Conduit Canopy:



2", 3", 5" LED ENTITY - PENDANT

HANGING OPTION (Round Stem Mount)



ST
Standard Retro Fit
Stem



NCST
New Construction
Stem



Alternative Driver
Stem

HANGING OPTION (Round Cord Mount)



WC
Retro Fit
White Cord



BC
Retro Fit
Black Cord



NCWC
New Construction
White Cord



NCBC
New Construction
Black Cord



Alternative Driver
White Cord



Alternative Driver
Black Cord

2", 3", 5" LED ENTITY - PENDANT

HANGING OPTION (Square Stem Mount)



ST
Retro Fit
Stem



NCST
New Construction
Stem



Alternative Driver
Stem

HANGING OPTION (Square Cord Mount)



WC
Retro Fit
White Cord



BC
Retro Fit
Black Cord



NCWC
New Construction
White Cord



NCBC
New Construction
Black Cord



Alternative Driver
White Cord



Alternative Driver
Black Cord

Project: _____

Type: _____

Note: _____

2", 3", 5" LED ENTITY - PENDANT

DIMMING DRIVER COMPATIBILITY

"S" STANDARD UNIVERSAL DIM

COMPATIBLE PHASE CUT DIMMER	
MANUFACTURER	PRODUCT
Cooper	DAL06P
	DLC03P
	SLC03P
Leviton	6161
	6631-2
	6633-P
	6673-10W
	6683-IW
	IPE04
	IPI06-1LZ
	VPE06
Lightolier	ZP26QEW
Lutron	CT103P
	DV600P
	DVCL-153P
	DVEL303P
	FAELV500
	LG600P
	MAELV600
	S600P
	S-603PG
	SELV300P
	TG-600P
	TGCL-153P

COMPATIBLE 1-10V DIMMER	
MANUFACTURER	PRODUCT
Leviton	IP740-DLZ
Lightolier	ZP600FAM120
	V2000FAMU
Lutron	DVTV
	NTFTV
Crestron	CLS-EXP-DIMFLV
	DIN-4DIMFLV4
	DIN-A08
	GLX-DIMFLV8

2", 3", 5" LED ENTITY - PENDANT

DIMMING DRIVER COMPATIBILITY

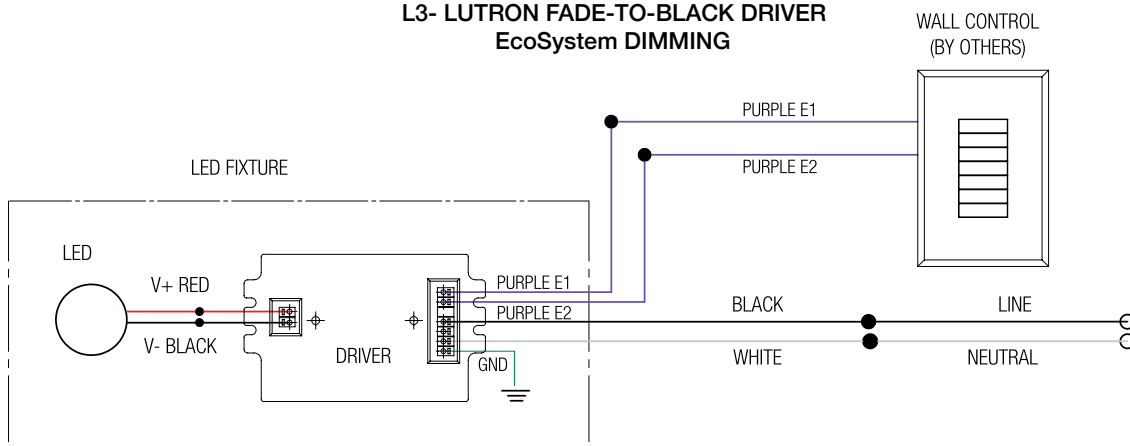
DIMMER LIST

"L3" LUTRON FADE-TO-BLACK

DIMMER INFORMATION	
MANUFACTURER	PRODUCT
Lutron	LQSE-2ECO-D
	RMJ-ECO32-DV-B
	FCJ/FCJS-ECO
	QSN-1ECO-S
	QSN-2ECO-S
	EcoSystem ESN
	Grafik Eye QS with EcoSystem
	Quantum

NOTE: Wiring diagrams are examples of typical installations intended to illustrate the number of wires that must be run to fixture. These diagrams are not intended to specify all equipment necessary for a given dimming circuit. Refer to specific dimmer manufacturer's documentation for details.

L3- LUTRON FADE-TO-BLACK DRIVER EcoSystem DIMMING



IMPORTANT SAFETY INSTRUCTIONS - SAVE THESE INSTRUCTIONS

1. Keep these instructions in a safe place for future reference.
2. Only qualified electricians in accordance to local codes should install these fixtures
3. De-energize the electrical circuit at the circuit breaker prior to installation process or servicing.
4. Make sure all connections are in accordance with the National Electrical Code and any local regulations.
5. Cap any wires not used separately (not together).

2", 3", 5" LED ENTITY - PENDANT

DIMMING DRIVER COMPATIBILITY

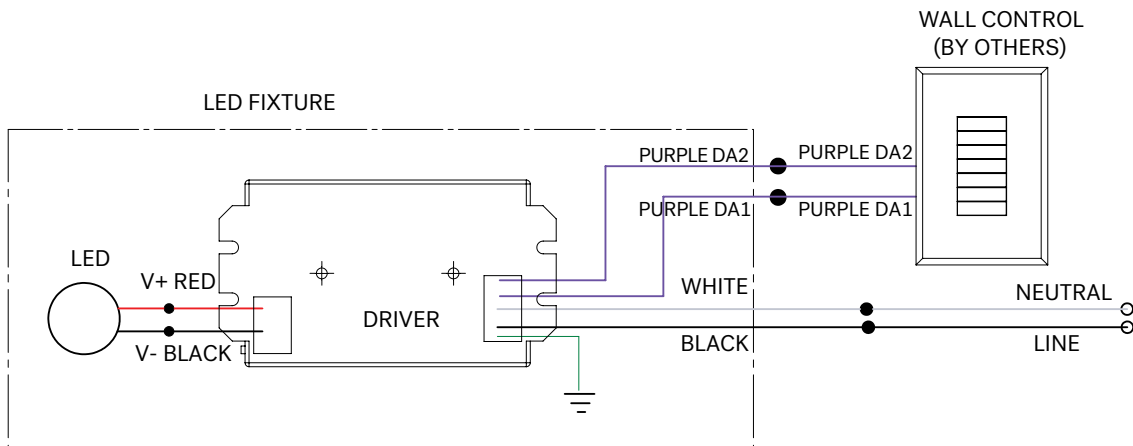
DIMMER LIST

"EL1" eldoLED DALI 1%

DIMMER INFORMATION	
MANUFACTURER	PRODUCT
	DALI Controls

NOTE: Wiring diagrams are examples of typical installations intended to illustrate the number of wires that must be run to fixture. These diagrams are not intended to specify all equipment necessary for a given dimming circuit. Refer to specific dimmer manufacturer's documentation for details.

EL1- eldoLED DRIVER DALI DIMMING



IMPORTANT SAFETY INSTRUCTIONS - SAVE THESE INSTRUCTIONS

1. Keep these instructions in a safe place for future reference.
2. Only qualified electricians in accordance to local codes should install these fixtures
3. De-energize the electrical circuit at the circuit breaker prior to installation process or servicing.
4. Make sure all connections are in accordance with the National Electrical Code and any local regulations.
5. Cap any wires not used separately (not together).

2", 3", 5" LED ENTITY - PENDANT

DIMMING DRIVER COMPATIBILITY

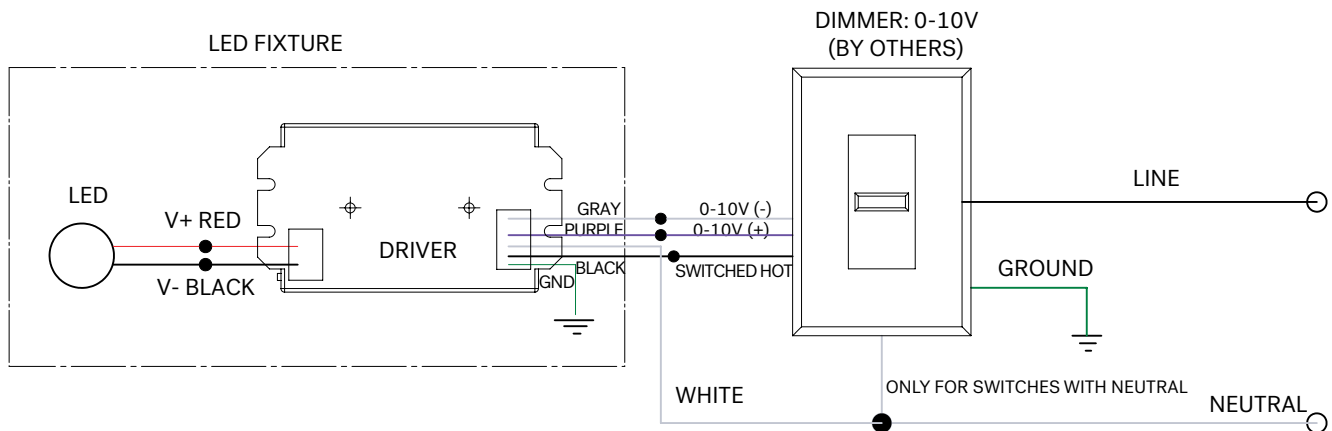
DIMMER LIST

"EL2" eLdoLED 0-10V 1%

DIMMER INFORMATION	
MANUFACTURER	PRODUCT
Leviton	IP740-DLZ
Lightolier	ZP600FAM120
Lutron	DVTV
	NTFTV
	NFTV
Crestron	CLS-EXP-DIMFLV
	DIN-4DIMFLV4
	DIN-A08
	GLX-DIMFLV8

NOTE: Wiring diagrams are examples of typical installations intended to illustrate the number of wires that must be run to fixture. These diagrams are not intended to specify all equipment necessary for a given dimming circuit. Refer to specific dimmer manufacturer's documentation for details.

EL2- eLdoLED DRIVER 0-10V DIMMING



IMPORTANT SAFETY INSTRUCTIONS - SAVE THESE INSTRUCTIONS

1. Keep these instructions in a safe place for future reference.
2. Only qualified electricians in accordance to local codes should install these fixtures
3. De-energize the electrical circuit at the circuit breaker prior to installation process or servicing.
4. Make sure all connections are in accordance with the National Electrical Code and any local regulations.
5. Cap any wires not used separately (not together).

2", 3", 5" LED ENTITY - PENDANT

DIMMING DRIVER COMPATIBILITY

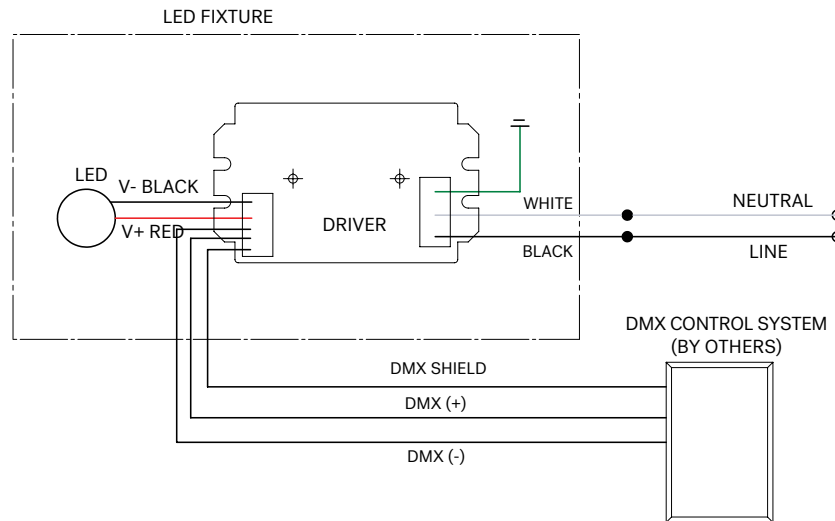
DIMMER LIST

"DMX" Moons

DIMMER INFORMATION	
MANUFACTURER	PRODUCT
	DMX Controls

NOTE: Wiring diagrams are examples of typical installations intended to illustrate the number of wires that must be run to fixture. These diagrams are not intended to specify all equipment necessary for a given dimming circuit. Refer to specific dimmer manufacturer's documentation for details.

DMX DRIVER WIRING DIAGRAM



IMPORTANT SAFETY INSTRUCTIONS - SAVE THESE INSTRUCTIONS

1. Keep these instructions in a safe place for future reference.
2. Only qualified electricians in accordance to local codes should install these fixtures
3. De-energize the electrical circuit at the circuit breaker prior to installation process or servicing.
4. Make sure all connections are in accordance with the National Electrical Code and any local regulations.
5. Cap any wires not used separately (not together).