

Project: \_\_\_\_\_

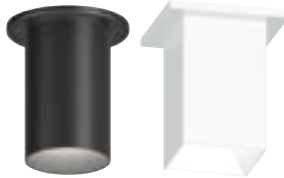
Type: \_\_\_\_\_

Note: \_\_\_\_\_

## 2", 3", 5" LED ENTITY - FLUSH MOUNT



2" Entity Flush Mount with Standard Driver Canopy



3" Entity Flush Mount with Standard Driver Canopy



5" Entity Flush Mount with Standard Driver Canopy



5" Conduit Flush Mount Entity with Conduit 3-1/4" Canopy\*

\*Conduit 3-7/8" Canopy also available

LED LIGHT ENGINE	
RATED WATTAGE	2" (10W, 15W), 3" and 5" (15W-30W)
DELIVERED LUMENS	Up to: 2" 1554 lm, 3" 3175 lm, 5" 3383 lm
CCT/CRI	2700K 90CRI, 3000K 90CRI, 4000K 80CRI, WARM DIM 98CRI
COLOR QUALITY	2700K-3500K 90+ CRI, 2-Step SDCM
LED LIFETIME	55,000 hours @ L90

SILENT VU™ OPTICS TECHNOLOGY	
OPTICS	10°, 30°, 50°, 80° Available
ADJUSTABLE	Non Adjustable
OPTICAL MEDIA	Clear, Solite, Frosted, Linear Spread, Hex Louver

SIZE	MAX POWER	LUMENS @ 3500K			
		10° Optic	30° Optic	50° Optic	80° Optic
2"	15 Watt	1224 lm	1306 lm	1205 lm	1017 lm
3"	30 Watt	2227 lm	2646 lm	2440 lm	2023 lm
5"	30 Watt	2637 lm	2891 lm	2875 lm	1944 lm

POWER SUPPLY	
INPUT VOLTAGE	120/277V, 50/60Hz
DIMMING	Multiple Dimming Drivers Available
SERVICABILITY	Light Module and Driver Field Serviceable

### CCT MULTIPLIER CHART

SIZE	2700K 90CRI	3000K 90CRI	3500K 90 CRI	4000K 90CRI	WARM DIM 98CRI
2"	0.92	0.97	1.00	1.19	0.65
3"	0.91	0.97	1.00	1.20	0.60
5"	0.92	0.96	1.00	1.17	0.63

### POWER MULTIPLIER CHART

SIZE	10W	15W	20W	25W	30W
2"	0.75	1.00			
3"		0.57	0.65	0.78	1.00
5"		0.50	0.70	0.90	1.00

### STANDARD FINISH

- WT (Semi Gloss White)
- MB (Matte Black)
- All custom finishes available (see p 5)

### MOUNTING

- 5" x 1/2" canopy included with standard universal dim driver. Additional Canopies, Alternative Driver, Conduit Canopies. See drawings for dimensions.
- Standard Driver Canopy mounts a 4" round Junction Box
- Alternative Driver Canopy mounts to standard 4" round and square Junction Boxes.
- Conduit Canopies mount to 4" Octagon Junction Box. CC1: 1-1/2" tall Junction Box, CC2: 2-1/8" tall Junction Box.
- Conduit Canopies are supplied with 4X 3/4" Open Conduit Covers and 3X Solid Covers.

### LISTING/WARRANTY

- Five (5) year limited warranty
- UL Listed for 35°C Ambient
- cULus Listed for Wet Location
- CA Title 24-JA8 Compliant



Project: \_\_\_\_\_

Type: \_\_\_\_\_

Note: \_\_\_\_\_

## 2", 3", 5" LED ENTITY - FLUSH MOUNT

### 2" FLUSH MOUNT ORDER MATRIX

#### 2" Entity LED Flush Mount

(Example: SS4021-RF2-10-27-30-CL-CL-WT-C-1-S)

SHAPE	WATTAGE	CCT & CRI	OPTIC	MEDIA 1	MEDIA 2
<b>SS4021-RF2</b> Entity Flush Downlight 2" Round	<b>-10</b> 10W	<b>-27</b> 2700K 90CRI	<b>-10</b> 10° Spot	(blank) None	(blank) None
<b>SS4021-SF2</b> Entity Flush Downlight 2" Square	<b>-15</b> 15W	<b>-30</b> 3000K 90CRI	<b>-30</b> 30° Narrow Flood	<b>CL</b> Clear Lens	<b>CL</b> Clear Lens
		<b>-35</b> 3500K 90CRI	<b>-50</b> 50° Flood	<b>MP</b> Solite Lens	<b>MP</b> Solite Lens
		<b>-40</b> 4000K 80CRI	<b>-80*</b> 80° Wide Flood	<b>FR</b> Frosted Lens	<b>FR</b> Frosted Lens
		<b>-WD*</b> Warm Dim 98CRI	*WD with 80° Optic not CA title 24 compliant.	<b>LS</b> Linear Spread Lens	<b>LS</b> Linear Spread Lens
		*Media 1 lens required. For WD with 10°, 30°, 50° Optic use MP (Solite Lens). For WD with 80° Optic use FR (Frosted Lens)		<b>HEX</b> Hex Louver	Holds 1 Media only when HEX selected
STANDARD FINISH		COASTAL COATING	REVISION	STANDARD DRIVER	
<b>-WT</b> Semi Gloss White	(blank) None	<b>-1</b> Revision	<b>-S</b> Universal Dim Driver: 1%-100% 0-10V, TRIAC, ELV, 120V/277V		
<b>-MB</b> Matte Black	<b>-C</b> Coastal Coating	<b>ALTERNATIVE DRIVER</b>			
<b>-</b> Color Finish See p 5 for Color Finish Codes		<b>-L3</b> Lutron Dim Driver: 1%-100% EcoSystem, 120V/277V			
		<b>-EL1</b> EldoLED DALI Dim: 1%-100% DALI, 120V/277V			
		<b>-EL2</b> EldoLED Dim: 0.1%-100% 0-10V, 120V/277V			
		<b>-DMX</b> DMX Dim: 1%-100% DMX, 120V/277V			
NOTE: Ambient temperature rated for 25°C					

#### Accessories (2" Entity)

CANOPY
(blank) Non Conduit
<b>-CC1</b> Conduit 3-1/4" Canopy
<b>-CC2</b> Conduit 3-7/8" Canopy
NOTE: CC1/CC2 Canopies only available with Standard Driver option

OPTIC	MEDIA
<b>C2-10-OPTIC</b> 10° Spot	<b>C2-CL</b> Clear Lens
<b>C2-30-OPTIC</b> 30° Narrow Flood	<b>C2-MP</b> Solite Lens
<b>C2-50-OPTIC</b> 50° Flood	<b>C2-FR</b> Frosted Lens
<b>C2-80-OPTIC</b> 80° Wide Flood	<b>C2-LS</b> Linear Spread Lens
	<b>C2-HEX</b> Hex Louver

#### Emergency Options

DRIVER
<b>EM-1000</b> 25W Remote Inverter
<b>EM-1002</b> 10W Remote Emergency Driver - Title 20
<b>EM-1003-CA</b> 5W Remote Inverter - Title 20
<b>EM-1004</b> 50W Remote Inverter
<b>EM-1006</b> 25W Remote Inverter - Title 20

Project: \_\_\_\_\_

Type: \_\_\_\_\_

Note: \_\_\_\_\_

## 2", 3", 5" LED ENTITY - FLUSH MOUNT

### 3" FLUSH MOUNT ORDER MATRIX

#### 3" Entity LED Flush Mount

(Example: SS4021-RF3-27-30-CL-CL-WT-C-6-S)

SHAPE	WATTAGE	CCT & CRI	OPTIC	MEDIA 1	MEDIA 2
<b>SS4021-RF3</b> Entity Flush Downlight 3" Round	<b>-15</b> 15W	<b>-27</b> 2700K 90CRI	<b>-10</b> 10° Spot	(blank) None	(blank) None
<b>SS4021-SF3</b> Entity Flush Downlight 3" Square	<b>-20</b> 20W	<b>-30</b> 3000K 90CRI	<b>-30</b> 30° Narrow Flood	<b>CL</b> Clear Lens	<b>CL</b> Clear Lens
	<b>-25</b> 25W	<b>-35</b> 3500K 90CRI	<b>-50</b> 50° Flood	<b>MP</b> Solite Lens	<b>MP</b> Solite Lens
	<b>-30</b> 30W	<b>-40</b> 4000K 80CRI	<b>-80*</b> 80° Wide Flood	<b>FR</b> Frosted Lens	<b>FR</b> Frosted Lens
		<b>-WD*</b> Warm Dim 98CRI	*WD with 80° Optic not CA title 24 compliant.	<b>LS</b> Linear Spread Lens	<b>LS</b> Linear Spread Lens
		*Media 1 lens required. For WD with 10°, 30°, 50° Optic use MP (Solite Lens). For WD with 80° Optic use FR (Frosted Lens)		<b>HEX</b> Hex Louver	Holds 1 Media only when HEX selected
STANDARD FINISH		COASTAL COATING	REVISION	STANDARD DRIVER	
<b>-WT</b> Semi Gloss White	(blank) None	<b>-6</b> Revision	<b>-S</b> Universal Dim Driver: 1%-100% 0-10V, TRIAC, ELV, 120V/277V		
<b>-MB</b> Matte Black	<b>-C</b> Coastal Coating		ALTERNATIVE DRIVER		
<b>-</b> Color Finish See p 5 for Color Finish Codes			<b>-L3</b> Lutron Dim Driver: 1%-100% EcoSystem, 120V/277V		
			<b>-EL1</b> EldoLED DALI Dim: 1%-100% DALI, 120V/277V		
			<b>-EL2</b> EldoLED Dim: 0.1%-100% 0-10V, 120V/277V		
			<b>-DMX</b> DMX Dim: 1%-100% DMX, 120V/277V		
NOTE: Ambient temperature rated for 25°C					

#### Accessories (3" Entity)

CANOPY
(blank) Non Conduit
<b>-CC1</b> Conduit 3-1/4" Canopy
<b>-CC2</b> Conduit 3-7/8" Canopy
NOTE: CC1/CC2 Canopies only available with Standard Driver option

OPTIC	MEDIA
<b>C3-10-OPTIC</b> 10° Spot	<b>C3-CL</b> Clear Lens
<b>C3-30-OPTIC</b> 30° Narrow Flood	<b>C3-MP</b> Solite Lens
<b>C3-50-OPTIC</b> 50° Flood	<b>C3-FR</b> Frosted Lens
<b>C3-80-OPTIC</b> 80° Wide Flood	<b>C3-LS</b> Linear Spread Lens
	<b>C3-HEX</b> Hex Louver

#### Emergency Options

DRIVER
<b>EM-1000</b> 25W Remote Inverter
<b>EM-1002</b> 10W Remote Emergency Driver- Title 20
<b>EM-1003-CA</b> 35W Remote Inverter - Title 20
<b>EM-1004</b> 50W Remote Inverter
<b>EM-1006</b> 25W Remote Inverter - Title 20

Project: \_\_\_\_\_

Type: \_\_\_\_\_

Note: \_\_\_\_\_

## 2", 3", 5" LED ENTITY - FLUSH MOUNT

### 5" FLUSH MOUNT ORDER MATRIX

#### 5" Entity LED Flush Mount

(Example: SS4021-RF5-10-27-30-CL-CL-WT-C-1-S)

SHAPE	WATTAGE	CCT & CRI	OPTIC	MEDIA 1	MEDIA 2
<b>SS4021-RF5</b> Entity Flush Downlight 5" Round	<b>-15</b> 15W	<b>-27</b> 2700K 90CRI	<b>-10</b> 10° Spot	(blank) None	(blank) None
<b>SS4021-SF5</b> Entity Flush Downlight 5" Square	<b>-20</b> 20W	<b>-30</b> 3000K 90CRI	<b>-30</b> 30° Narrow Flood	<b>CL</b> Clear Lens	<b>CL</b> Clear Lens
	<b>-25</b> 25W	<b>-35</b> 3500K 90CRI	<b>-50</b> 50° Flood	<b>MP</b> Solite Lens	<b>MP</b> Solite Lens
	<b>-30</b> 30W	<b>-40</b> 4000K 80CRI	<b>-80*</b> 80° Wide Flood	<b>FR</b> Frosted Lens	<b>FR</b> Frosted Lens
		<b>-WD*</b> Warm Dim 98CRI	*WD with 80° Optic not CA title 24 compliant.	<b>LS</b> Linear Spread Lens	<b>LS</b> Linear Spread Lens
		*Media 1 lens required. For WD with 10°, 30°, 50° Optic use MP (Solite Lens). For WD with 80° Optic use FR (Frosted Lens)		<b>HEX</b> Hex Louver	Holds 1 Media only when HEX selected
STANDARD FINISH		COASTAL COATING	REVISION	STANDARD DRIVER	
<b>-WT</b> Semi Gloss White	(blank) None	<b>-3</b> Revision	<b>-S</b> Universal Dim Driver: 1%-100% 0-10V, TRIAC, ELV, 120V/277V		
<b>-MB</b> Matte Black	<b>-C</b> Coastal Coating		ALTERNATIVE DRIVER		
<b>-</b> Color Finish See p 5 for Color Finish Codes			<b>-L3</b> Lutron Dim Driver: 1%-100% EcoSystem, 120V/277V		
			<b>-EL1</b> EldoLED DALI Dim: 1%-100% DALI, 120V/277V		
			<b>-EL2</b> EldoLED Dim: 0.1%-100% 0-10V, 120V/277V		
			<b>-DMX</b> DMX Dim: 1%-100% DMX, 120V/277V		
NOTE: Ambient temperature rated for 25°C					

#### Accessories (5" Entity)

CANOPY
<input type="checkbox"/> (blank) Non Conduit
<input type="checkbox"/> <b>-CC1</b> Conduit 3-1/4" Canopy
<input type="checkbox"/> <b>-CC2</b> Conduit 3-7/8" Canopy
NOTE: CC1/CC2 Canopies only available with Standard Driver option

OPTIC	MEDIA
<b>C5-10-OPTIC</b> 10° Spot	<b>C5-CL</b> Clear Lens
<b>C5-30-OPTIC</b> 30° Narrow Flood	<b>C5-MP</b> Solite Lens
<b>C5-50-OPTIC</b> 50° Flood	<b>C5-FR</b> Frosted Lens
<b>C5-80-OPTIC</b> 80° Wide Flood	<b>C5-LS</b> Linear Spread Lens
	<b>C5-HEX</b> Hex Louver

#### Emergency Options

DRIVER
<b>EM-1000</b> 25W Remote Inverter
<b>EM-1002</b> 10W Remote Emergency Driver
<b>EM-1003-CA</b> 35W Remote Inverter - Title 20
<b>EM-1004</b> 50W Remote Inverter
<b>EM-1006</b> 25W Remote Inverter - Title 20

# CSL | ENTITY CYLINDERS

Spec-00283 Entity Flush Mount, V2.0 Revised 01/05/26

Project: \_\_\_\_\_

Type: \_\_\_\_\_

Note: \_\_\_\_\_

## 2", 3", 5" LED ENTITY - FLUSH MOUNT

### STANDARD FINISH

(Standard Driver Mount Shown)



**WT**  
Semi Gloss White



**MB**  
Matte Black

### COLOR FINISH

(Standard Driver Mount Shown)



**FLG**  
Flannel Gray



**PNA**  
Painted Natural  
Aluminum



**TBZ**  
Textured Bronze



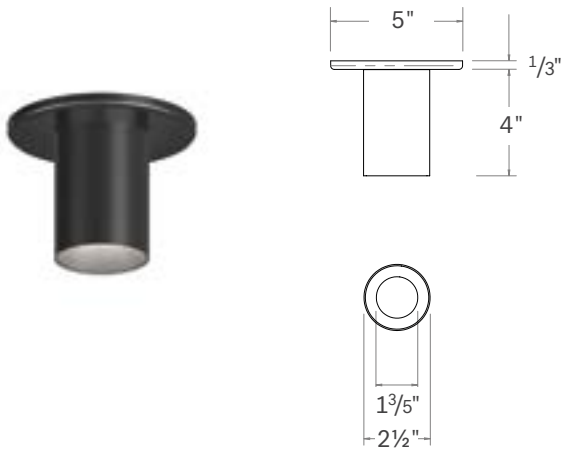
**TGP**  
Textured Graphite

## 2", 3", 5" LED ENTITY - FLUSH MOUNT

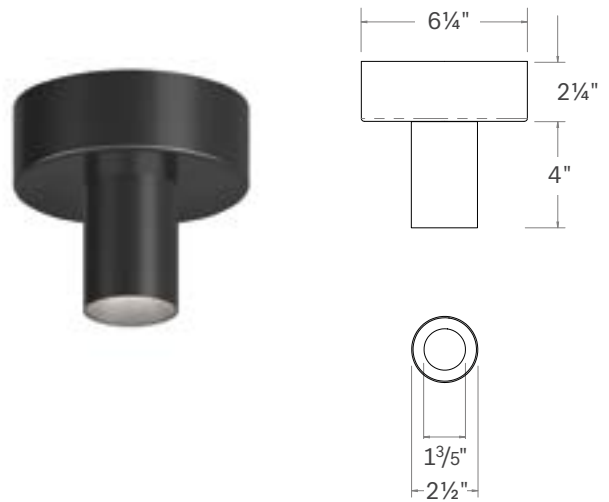
### 2" ROUND ENTITY FLUSH

#### SS4021-RF2 (2" Entity Round Downlight - Flush Mount)

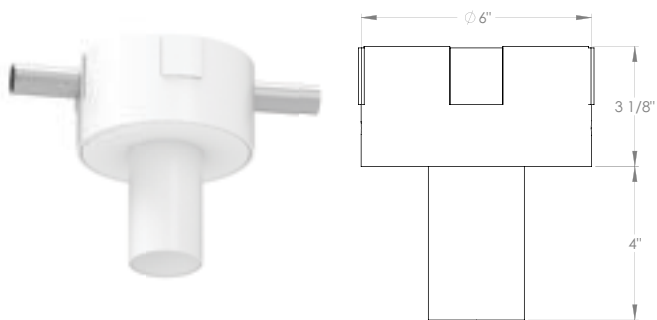
##### STANDARD DRIVER CANOPY



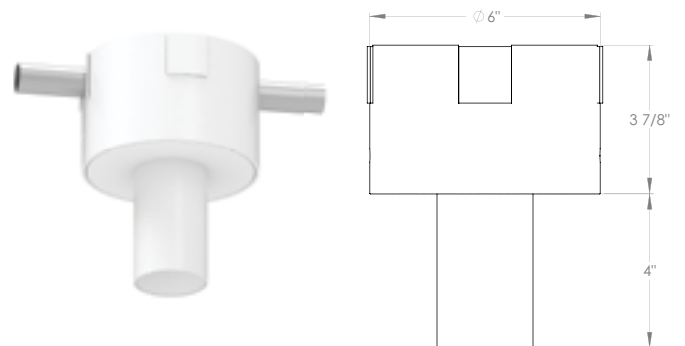
##### ALTERNATIVE DRIVER CANOPY



#### RF2 with CC1 and CC2 Conduit Canopy:



CC1



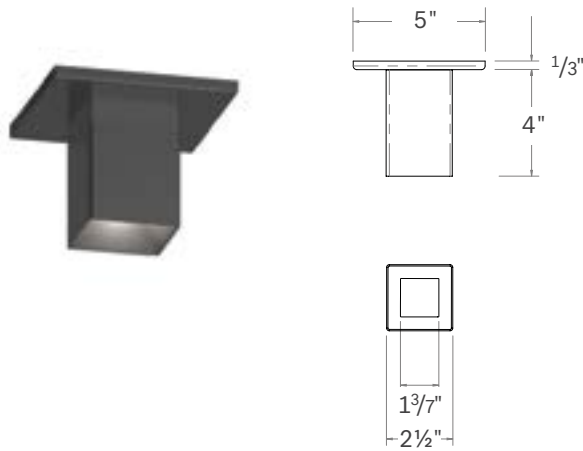
CC2

## 2", 3", 5" LED ENTITY - FLUSH MOUNT

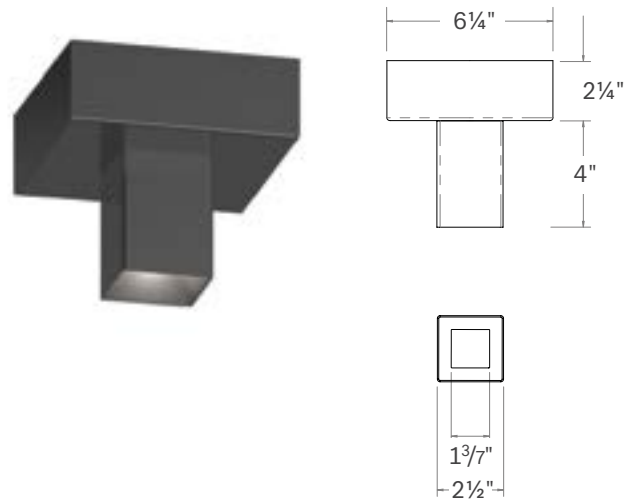
### 2" SQUARE ENTITY FLUSH

#### SS4021-SF2 (2" Entity Square Downlight - Flush Mount)

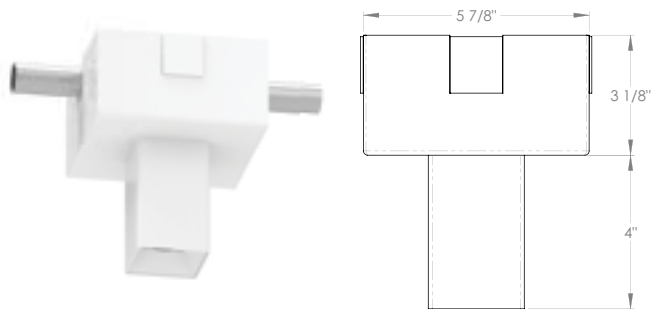
##### STANDARD DRIVER CANOPY



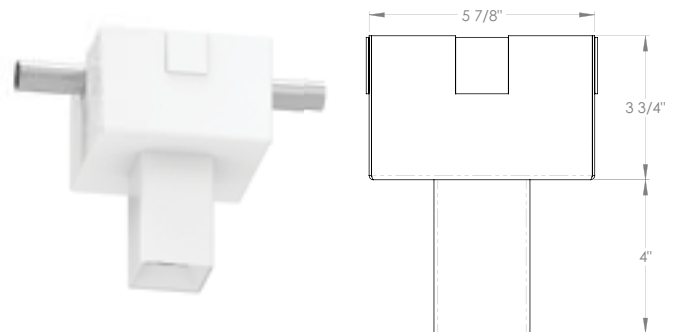
##### ALTERNATIVE DRIVER CANOPY



#### SF2 with CC1 and CC2 Conduit Canopy:



CC1



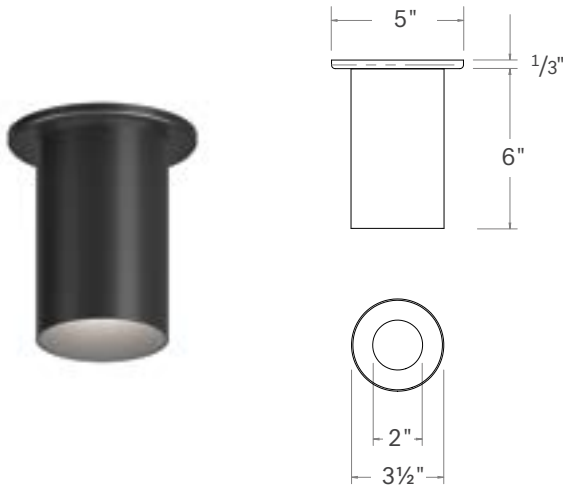
CC2

## 2", 3", 5" LED ENTITY - FLUSH MOUNT

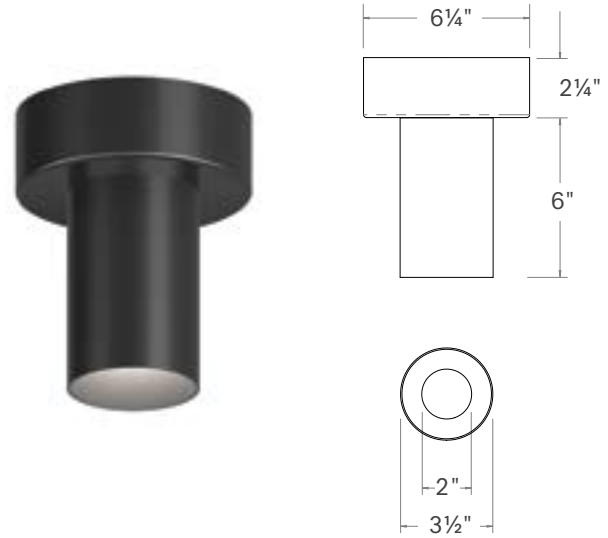
### 3" ROUND ENTITY FLUSH

#### SS4021-RF3 (3" Entity Round Downlight - Flush Mount)

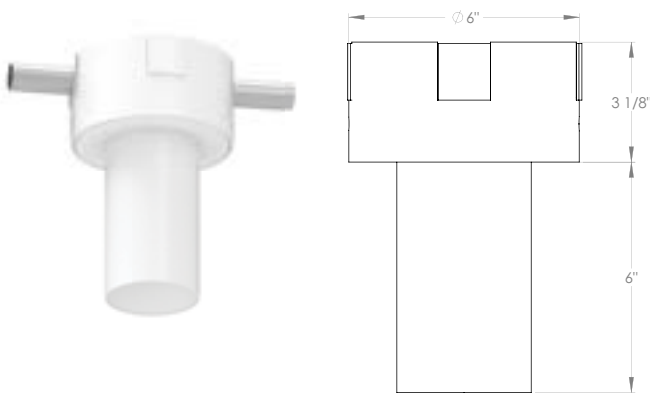
##### STANDARD DRIVER CANOPY



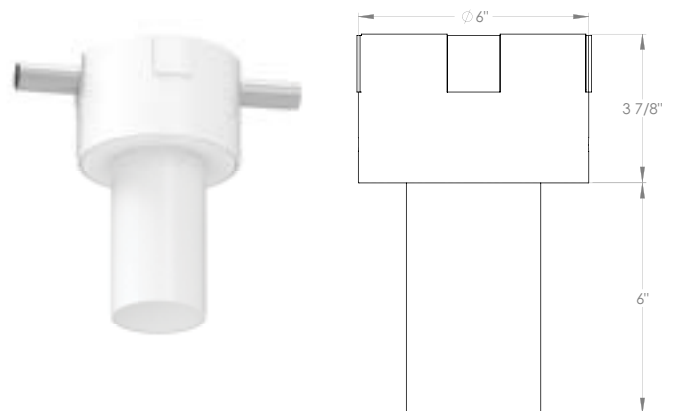
##### ALTERNATIVE DRIVER CANOPY



#### SF3 with CC1 and CC2 Conduit Canopy:



CC1



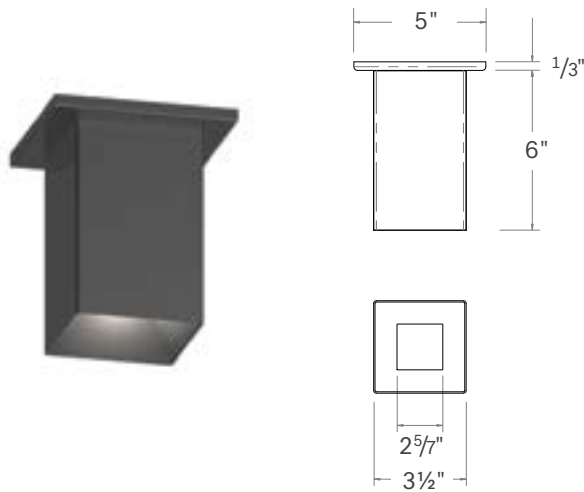
CC2

## 2", 3", 5" LED ENTITY - FLUSH MOUNT

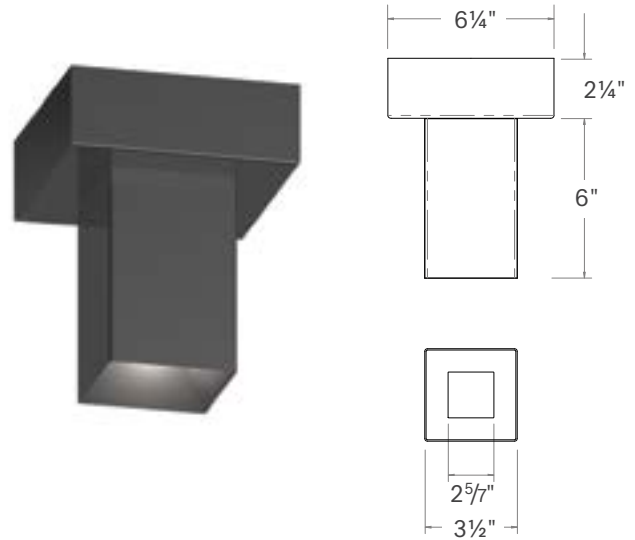
### 3" SQUARE ENTITY FLUSH

#### SS4021-SF3 (3" Entity Square Downlight - Flush Mount)

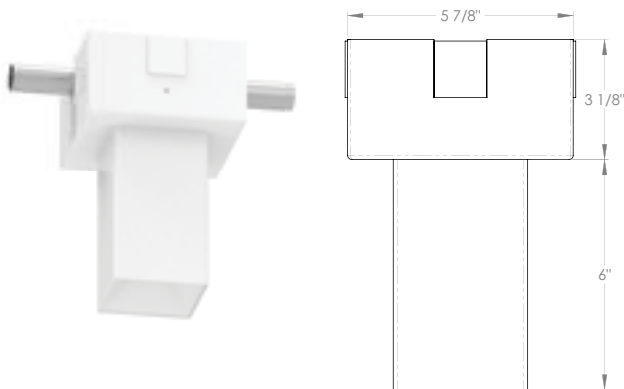
##### STANDARD DRIVER CANOPY



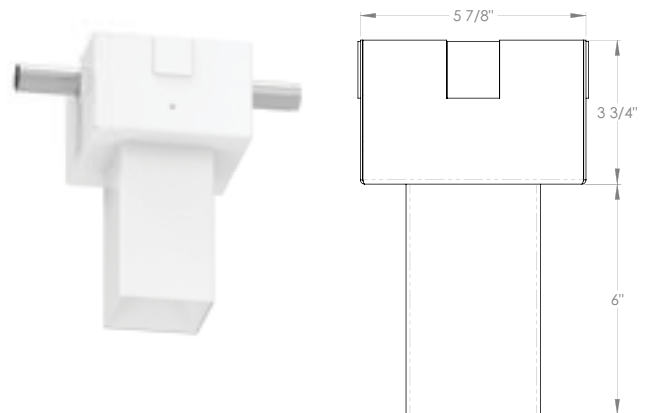
##### ALTERNATIVE DRIVER CANOPY



#### SLF3 with CC1 and CC2 Conduit Canopy:



CC1



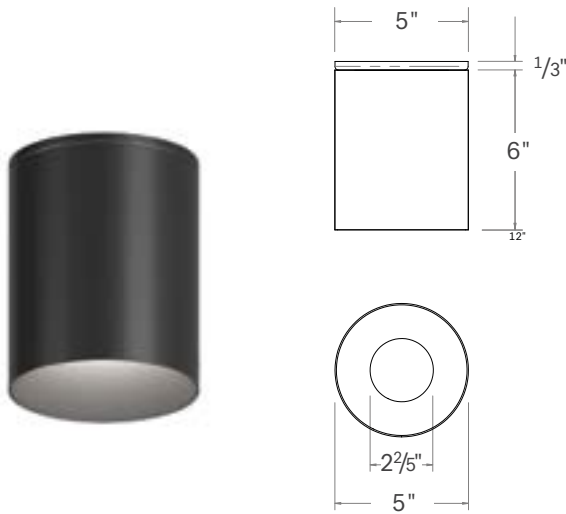
CC2

## 2", 3", 5" LED ENTITY - FLUSH MOUNT

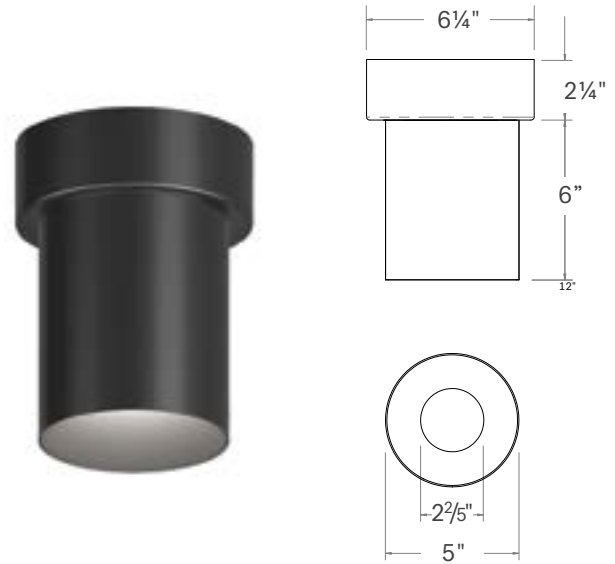
### 5" ROUND ENTITY FLUSH

#### SS4021-RF5 (5" Entity Round Downlight - Flush Mount)

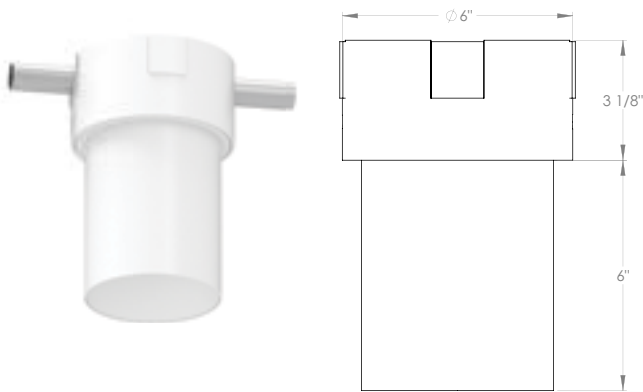
##### STANDARD DRIVER CANOPY



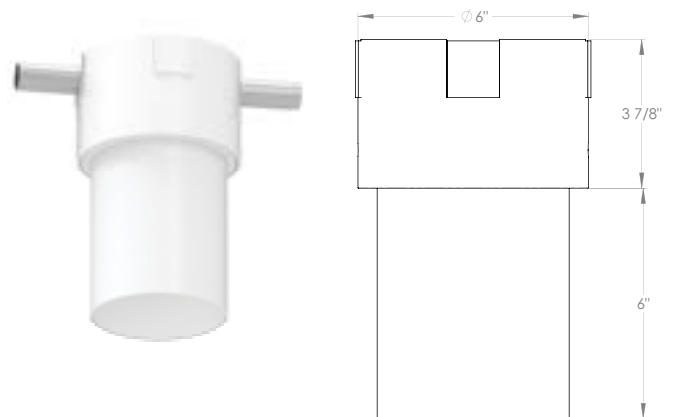
##### ALTERNATIVE DRIVER CANOPY



#### RF5 with CC1 and CC2 Conduit Canopy:



CC1



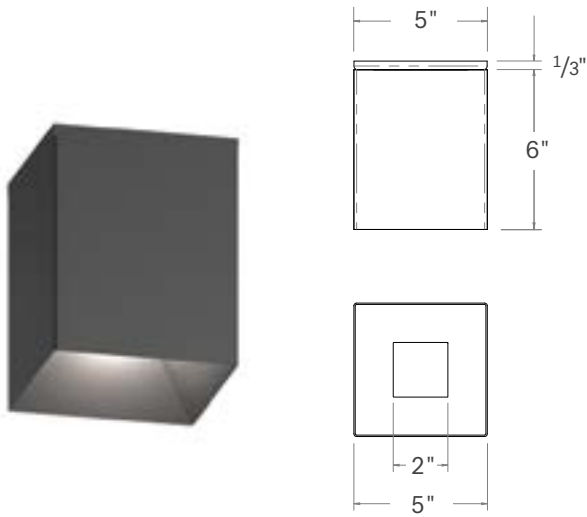
CC2

## 2", 3", 5" LED ENTITY - FLUSH MOUNT

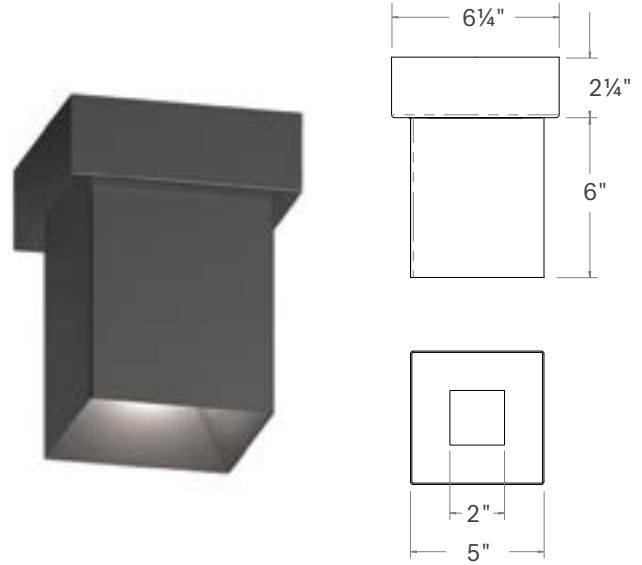
### 5" SQUARE ENTITY FLUSH

#### SS4021-SF5 (5" Entity Downlight - Flush Mount)

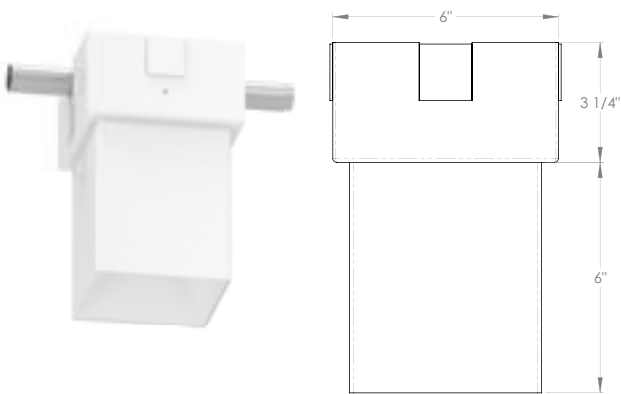
##### STANDARD DRIVER CANOPY



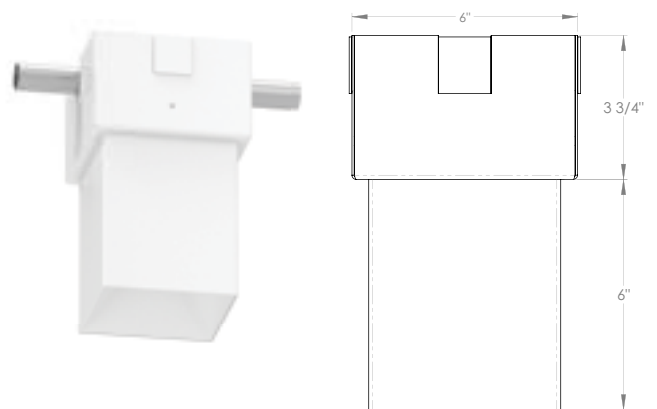
##### ALTERNATIVE DRIVER CANOPY



#### SF5 with CC1 and CC2 Conduit Canopy:



CC1



CC2

Project: \_\_\_\_\_

Type: \_\_\_\_\_

Note: \_\_\_\_\_

## 2", 3", 5" LED ENTITY - FLUSH MOUNT

### DIMMING DRIVER COMPATIBILITY

#### "S" STANDARD UNIVERSAL DIM

COMPATIBLE PHASE CUT DIMMER	
MANUFACTURER	PRODUCT
Cooper	DAL06P
	DLC03P
	SLC03P
Leviton	6161
	6631-2
	6633-P
	6673-10W
	6683-IW
	IPE04
	IPI06-1LZ
	VPE06
Lightolier	ZP26QEW
Lutron	CT103P
	DV600P
	DVCL-153P
	DVEL303P
	FAELV500
	LG600P
	MAELV600
	S600P
	S-603PG
	SELV300P
	TG-600P
	TGCL-153P

COMPATIBLE 1-10V DIMMER	
MANUFACTURER	PRODUCT
Leviton	IP740-DLZ
Lightolier	ZP600FAM120
	V2000FAMU
Lutron	DVTV
	NTFTV
Crestron	CLS-EXP-DIMFLV
	DIN-4DIMFLV4
	DIN-A08
	GLX-DIMFLV8

## 2", 3", 5" LED ENTITY - FLUSH MOUNT

### DIMMING DRIVER COMPATIBILITY

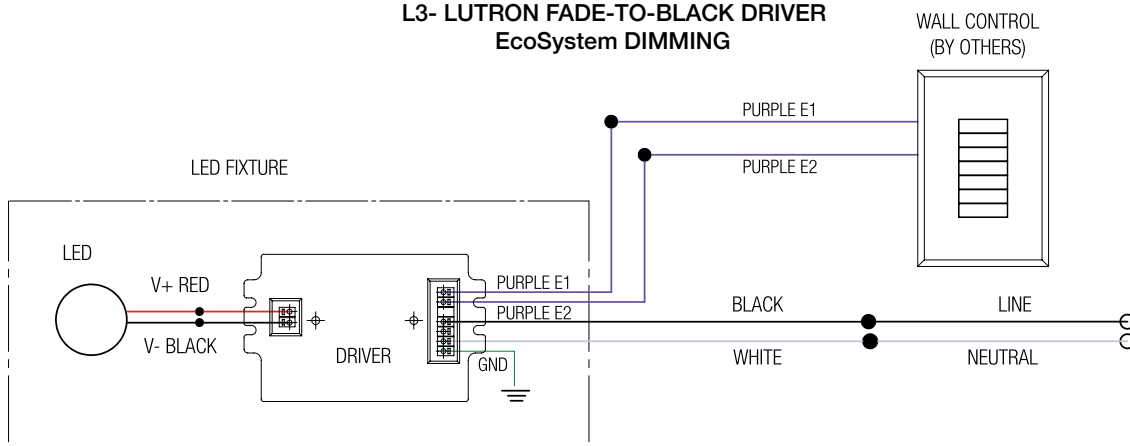
#### DIMMER LIST

##### "L3" LUTRON FADE-TO-BLACK

DIMMER INFORMATION	
MANUFACTURER	PRODUCT
Lutron	LQSE-2ECO-D
	RMJ-ECO32-DV-B
	FCJ/FCJS-ECO
	QSN-1ECO-S
	QSN-2ECO-S
	EcoSystem ESN
	Grafik Eye QS with EcoSystem
	Quantum

NOTE: Wiring diagrams are examples of typical installations intended to illustrate the number of wires that must be run to fixture. These diagrams are not intended to specify all equipment necessary for a given dimming circuit. Refer to specific dimmer manufacturer's documentation for details.

#### L3- LUTRON FADE-TO-BLACK DRIVER EcoSystem DIMMING



#### IMPORTANT SAFETY INSTRUCTIONS - SAVE THESE INSTRUCTIONS

1. Keep these instructions in a safe place for future reference.
2. Only qualified electricians in accordance to local codes should install these fixtures
3. De-energize the electrical circuit at the circuit breaker prior to installation process or servicing.
4. Make sure all connections are in accordance with the National Electrical Code and any local regulations.
5. Cap any wires not used separately (not together).

## 2", 3", 5" LED ENTITY - FLUSH MOUNT

### DIMMING DRIVER COMPATIBILITY

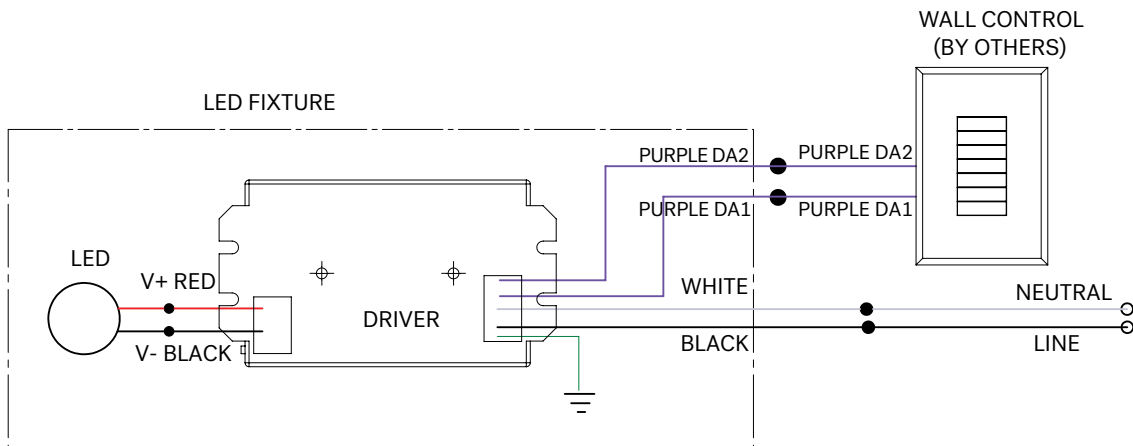
#### DIMMER LIST

"EL1" eldoLED DALI 1%

DIMMER INFORMATION	
MANUFACTURER	PRODUCT
	DALI Controls

NOTE: Wiring diagrams are examples of typical installations intended to illustrate the number of wires that must be run to fixture. These diagrams are not intended to specify all equipment necessary for a given dimming circuit. Refer to specific dimmer manufacturer's documentation for details.

#### EL1- eldoLED DRIVER DALI DIMMING



#### IMPORTANT SAFETY INSTRUCTIONS - SAVE THESE INSTRUCTIONS

1. Keep these instructions in a safe place for future reference.
2. Only qualified electricians in accordance to local codes should install these fixtures
3. De-energize the electrical circuit at the circuit breaker prior to installation process or servicing.
4. Make sure all connections are in accordance with the National Electrical Code and any local regulations.
5. Cap any wires not used separately (not together).

Project: \_\_\_\_\_  
 Type: \_\_\_\_\_  
 Note: \_\_\_\_\_

## 2", 3", 5" LED ENTITY - FLUSH MOUNT

### DIMMING DRIVER COMPATIBILITY

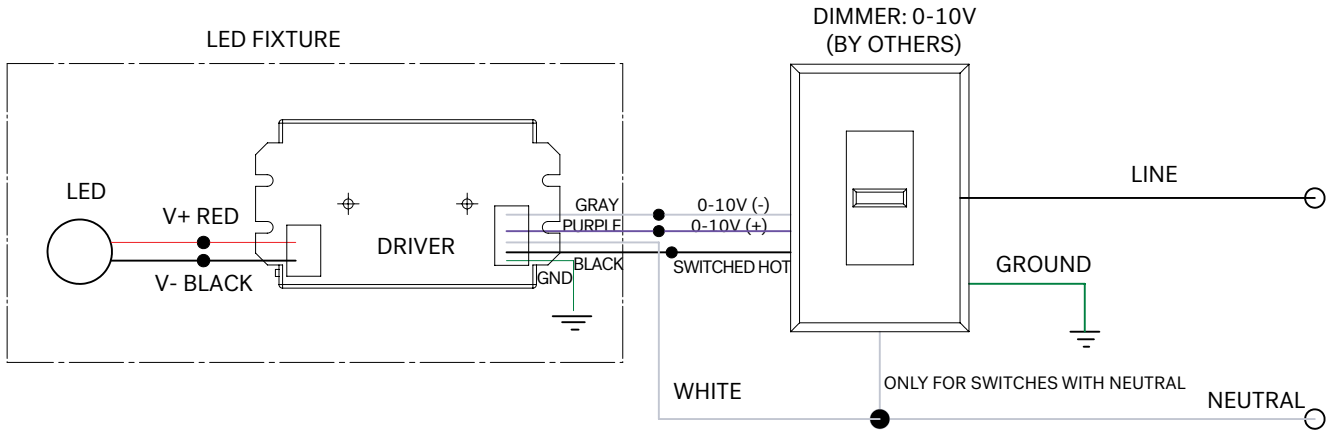
#### DIMMER LIST

"EL2" eLdoLED 0-10V 1%

DIMMER INFORMATION	
MANUFACTURER	PRODUCT
Leviton	IP740-DLZ
Lightolier	ZP600FAM120
Lutron	DVTV
	NTFTV
	NFTV
Crestron	CLS-EXP-DIMFLV
	DIN-4DIMFLV4
	DIN-A08
	GLX-DIMFLV8

NOTE: Wiring diagrams are examples of typical installations intended to illustrate the number of wires that must be run to fixture. These diagrams are not intended to specify all equipment necessary for a given dimming circuit. Refer to specific dimmer manufacturer's documentation for details.

#### EL2- eLdoLED DRIVER 0-10V DIMMING



#### IMPORTANT SAFETY INSTRUCTIONS - SAVE THESE INSTRUCTIONS

1. Keep these instructions in a safe place for future reference.
2. Only qualified electricians in accordance to local codes should install these fixtures
3. De-energize the electrical circuit at the circuit breaker prior to installation process or servicing.
4. Make sure all connections are in accordance with the National Electrical Code and any local regulations.
5. Cap any wires not used separately (not together).

## 2", 3", 5" LED ENTITY - FLUSH MOUNT

### DIMMING DRIVER COMPATIBILITY

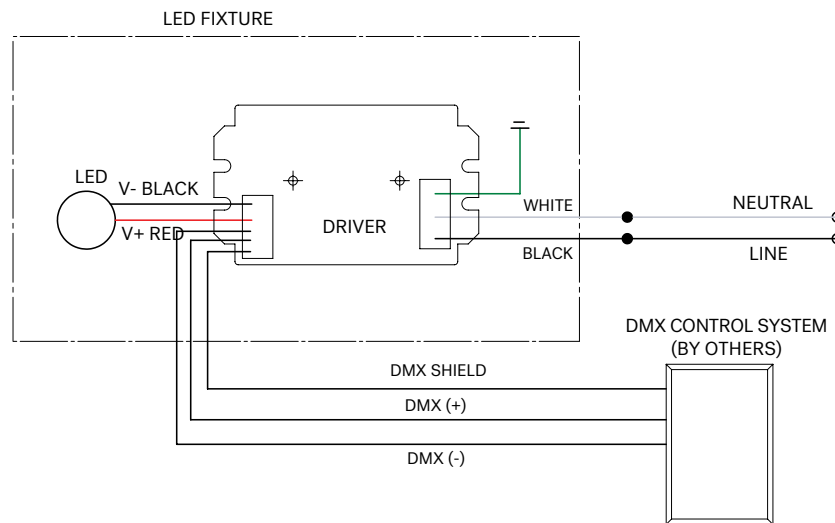
#### DIMMER LIST

##### "DMX" Moons

DIMMER INFORMATION	
MANUFACTURER	PRODUCT
	DMX Controls

NOTE: Wiring diagrams are examples of typical installations intended to illustrate the number of wires that must be run to fixture. These diagrams are not intended to specify all equipment necessary for a given dimming circuit. Refer to specific dimmer manufacturer's documentation for details.

#### DMX DRIVER WIRING DIAGRAM



#### IMPORTANT SAFETY INSTRUCTIONS - SAVE THESE INSTRUCTIONS

1. Keep these instructions in a safe place for future reference.
2. Only qualified electricians in accordance to local codes should install these fixtures
3. De-energize the electrical circuit at the circuit breaker prior to installation process or servicing.
4. Make sure all connections are in accordance with the National Electrical Code and any local regulations.
5. Cap any wires not used separately (not together).