

5" Entity Round Adjustable Flush Mount

ADJUSTABLE FLUSH MOUNT ROUND

A decorative, directional light that combines stylish design with the Silent Vu™ low glare optics technology

LED LIGHT ENGINE

RATED WATTAGE	10W, 15W, 20W, 25W
DELIVERED LUMENS	Up to 2612lm
CCT/CRI	2700K 90CRI, 3000K 90CRI, 3500K 90CRI, 4000K 80CRI
COLOR QUALITY	2700K-3500K 90+ CRI, 2-Step SDCM
LED LIFETIME	50,000 hours @ L70

SIZE	POWER	2700K 90CRI	3000K 90CRI	3500K 90CRI	4000K 80CRI
5 Inch	10W	772 lm	827 lm	889 lm	1175 lm
	15W	1177 lm	1268 lm	1363 lm	1802 lm
	20W	1424 lm	1526 lm	1639 lm	2168 lm
	25W	1716 lm	1838 lm	1975 lm	2612 lm

SILENT VU™ OPTICS TECHNOLOGY

OPTICS	10°, 30°, 50°, 80° Available
ADJUSTABLE	Rotates 359° Horizontally and 50° Vertically

POWER SUPPLY

INPUT VOLTAGE	120/277V, 50/60Hz
DIMMING	Multiple Dimming Drivers Available

STANDARD FINISH

WT (Semi Gloss White) MB (Matte Black)

- All custom finishes available (see finishes sample page)

MOUNTING

- Surface mount directly over junction box
- 5" x 1 1/4" matching canopy included

LISTING / WARRANTY

- UL Listed to US and Canadian standards for damp locations
- Five (5) year limited warranty



ENTITY ADJUSTABLE FLUSH MOUNT ORDER MATRIX

5" ENTITY ADJUSTABLE CYLINDER LED PENDANT (EXAMPLE: SS4021-ADJ-10-27-10-RD-2-S)

SERIES	WATTAGE	CCT/CRI	OPTIC	STANDARD FINISH	
SS4021-ADJ 5" Round Adjustable Flush Downlight	-10 (10W)	-27 (2700K 90CRI)	-10 (10° Spot)	-WT (Semi Gloss White)	
	-15 (15W)	-30 (3000K 90CRI)	-30 (30° Narrow Flood)	-MB (Matte Black)	
	-20 (20W)	-35 (3500K 90CRI)	-50 (50° Flood)	COLOR FINISH	
	-25 (25W)	-40 (4000K 80CRI)	-80 (80° Wide Flood)	-ABL (Aegean Blue)	-PNC (Painted Natural Copper)
				-BB (Burnished Bronze)	-RD (Red)
				-BK (Gloss Black)	-SGR (Sage Green)
				-BLU (Blue)	-SND (Sand)
				-DVG (Dove Gray)	-SS (Satin Silver)
				-FLG (Flannel Gray)	-TBZ (Textured Bronze)
				-GA (Galvanized)	-TGP (Textured Graphite)
				-GWT (Gloss White)	-TNG (Tangerine)
				-LG (Lime Green)	-TTL (Tahitian Teal)
				-MBL (Midnight Blue)	-YEL (Yellow)
				-PNA (Painted Natural Aluminum)	
COASTAL COATING		REV	DRIVER		
(Blank) (No Coating)		-2	-S¹ (Universal Dim Driver: 1%-100% 0-10V, TRIAC, ELV, 120V/277V)		
-C (Coating)					

1.. Forward and reverse dimming at 120V only

ACCESSORIES (ENTITY ADJUSTABLE)

OPTIC	
EDL-10-OPTIC-5	(10° Spot)
EDL-30-OPTIC-4	(30° Narrow Flood)
EDL-50-OPTIC-4	(50° Flood)
EDL-80-OPTIC-3	(80° Wide Flood)

EMERGENCY

DRIVER	
EM-1000	(25W Remote Inverter)
EM-1002	(10W Remote Inverter)
EM-1003	(35W Remote Inverter)
EM-1003-CA	(35W Remote Inverter) Title 20
EM-1004	(50W Remote Inverter)
EM-1006	(25W Remote Inverter) Title 20

STANDARD FINISH



WT
Semi Gloss White



MB
Matte Black

COLOR FINISH



ABL
Aegean Blue



BB
Burnished Bronze



BK
Gloss Black



BLU
Blue



DVG
Dove Gray



FLG
Flannel Gray



GA
Galvanized



GWT
Gloss White



LG
Lime Green



MBL
Midnight Blue



PNA
Painted Natural Aluminum



PNC
Painted Natural Copper



RD
Red



SGR
Sage Green



SND
Sand



SS
Satin Silver



TBZ
Textured Bronze



TGP
Textured Graphite



TNG
Tangerine



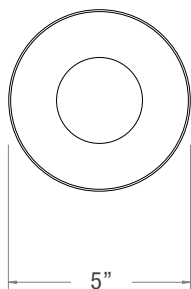
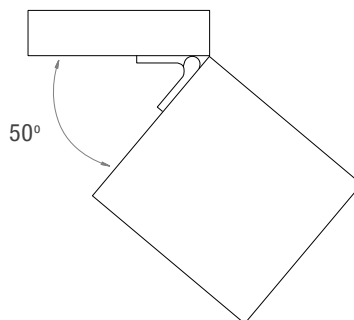
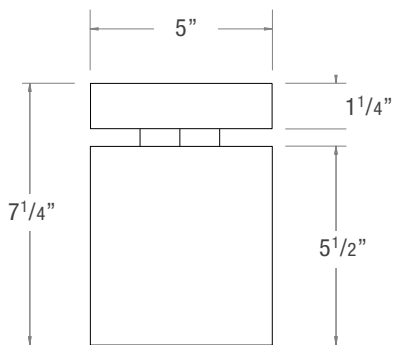
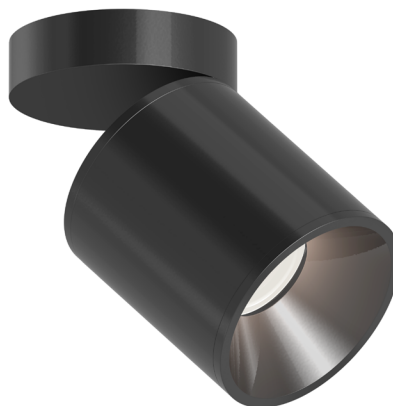
TTL
Tahitian Teal



YEL
Yellow

5" ROUND ENTITY FLUSH (Adjustable)

SS4021-ADJ (5" Entity Round Adjustable Flush Mount Downlight)



DIMMING DRIVER COMPATIBILITY

DIMMER LIST

"S" Standard Universal Dim			
Compatible Phase Cut Dimmer		Compatible 1-10V Dimmer	
Manufacturer	Product	Manufacturer	Product
Cooper	DAL06P	Leviton	IP740-DLZ
	DLC03P	Lightolier	ZP600FAM120
	SLC03P		V2000FAMU
Leviton	6161	Lutron	DVTV
	6631-2		NTFTV
	6633-P	Crestron	CLS-EXP-DIMFLV
	6673-10W		DIN-4DIMFLV4
	6683-IW		DIN-A08
	IPE04		GLX-DIMFLV8
	IPI06-1LZ		
	VPE06		
	Lightolier	ZP26QEW	
	Lutron	CT103P	
DV600P			
DVCL-153P			
DVEL303P			
FAELV500			
LG600P			
MAELV600			
S600P			
S-603PG			
SELV300P			
TG-600P			
	TGCL-153P		