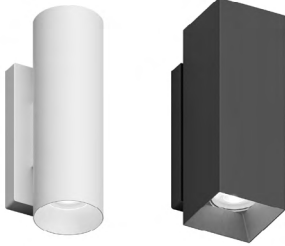


Project: _____

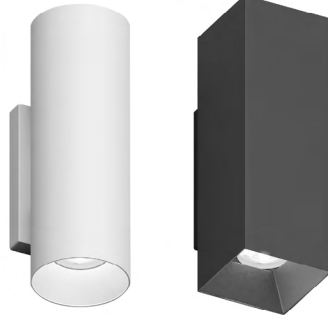
Type: _____

Note: _____

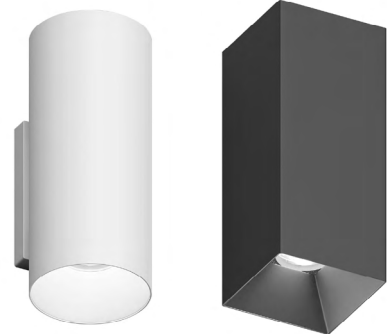
2", 3", 5" LED CYLINDER - WALL MOUNT



2" Wall Mount Cylinder
with Standard Driver Backplate



3" Wall Mount Cylinder
with Standard Driver Backplate



5" Wall Mount Cylinder
with Standard Driver Backplate

DOWNLIGHT

SIZE	MAX POWER	LUMENS @ 3500K			
		10° Optic	30° Optic	50° Optic	80° Optic
2"	20 Watt	1530 lm	1633 lm	1506 lm	1271 lm
3"	30 Watt	2227 lm	2646 lm	2440 lm	2023 lm
5"	50 Watt	3877 lm	4252 lm	4228 lm	2858 lm

UP & DOWN LIGHT

SIZE	MAX POWER	UP & DOWN	LUMENS @ 3500K			
			10° Optic	30° Optic	50° Optic	80° Optic
2"	20 Watt	↑UP	833 lm	876 lm	826 lm	697 lm
		↓DOWN	817 lm	835 lm	803 lm	651 lm
3"	30 Watt	↑UP	1259 lm	1465 lm	1322 lm	1116 lm
		↓DOWN	1200 lm	1419 lm	1278 lm	1079 lm
5"	50 Watt	↑UP	2059 lm	2234 lm	1991 lm	1423 lm
		↓DOWN	2203 lm	2372 lm	2140 lm	1605 lm

CCT MULTIPLIER CHART

SIZE	2700K 90CRI	3000K 90CRI	3500K 90 CRI	4000K 90CRI	WARM DIM 98CRI
2"	0.92	0.97	1.00	1.19	0.65
3"	0.91	0.97	1.00	1.20	0.60
5"	0.92	0.96	1.00	1.17	0.63

POWER MULTIPLIER CHART

SIZE	10W	15W	20W	25W	30W	35W	40W	50W
2"	0.60	0.80	1.00					
3"		0.56	0.70	0.83	1.00			
5"		0.40	0.53	0.65	0.75	0.80	0.90	1.00

LED LIGHT ENGINE

RATED WATTAGE	2" (10W-20W), 3" (15W-30W), 5" (15W-50W)
DELIVERED LUMENS	Up to: 2" 2035 lm, 3" 3460 lm, 5" 5389 lm
CCT/CRI	2700K 90CRI, 3000K 90CRI, 4000K 80CRI, WARM DIM 98CRI
COLOR QUALITY	2700K-3500K 90+ CRI, 2-Step SDCM
LED LIFETIME	55,000 hours @ L90

SILENT VU™ OPTICS TECHNOLOGY

OPTICS	10°, 30°, 50°, 80° Available
ADJUSTABLE	Non Adjustable
OPTICAL MEDIA	Clear, Solite, Frosted, Linear Spread, Hex Louver

POWER SUPPLY

INPUT VOLTAGE	120/277V, 50/60Hz
DIMMING	Multiple Dimming Drivers Available
SERVICABILITY	Light Module and Driver Field Serviceable

STANDARD FINISH

- WT (Semi Gloss White)
- MB (Matte Black)
- All custom finishes available (see p 5)

MOUNTING

- Standard Driver Backplate mounts a 1 Gang Junction Box.
- Alternative Driver Backplate mounts to standard 4" round and square Junction Boxes.

LISTING/WARRANTY

- Five (5) year limited warranty
- UL Listed for 40°C Ambient
- cULus Listed for Wet Location
- CA Title 24-JA8 Compliant
- 2" & 3" Driver option rated for 3G vibration
- 5" S Driver option rated for 1.5G vibration
- All housings rated for IP65 ingress protection



Project: _____

Type: _____

Note: _____

2", 3", 5" LED CYLINDER - WALL MOUNT

2" WALL MOUNT ORDER MATRIX

2" Cylinder LED Downlight Wall Mount

(Example: LWD2-10-27-30-CL-CL-WT-C-5-S)

SHAPE	WATTAGE	CCT & CRI	OPTIC	MEDIA 1	MEDIA 2
LWD2 Wall Downlight 2" Round	-10 10W	-27 2700K 90CRI	-10 10° Spot	(blank) None	(blank) None
SLWD2 Wall Downlight 2" Square	-15 15W	-30 3000K 90CRI	-30 30° Narrow Flood	CL Clear Lens	CL Clear Lens
	-20 20W	-35 3500K 90CRI	-50 50° Flood	MP Solite Lens	MP Solite Lens
		-40 4000K 80CRI	-80* 80° Wide Flood	FR Frosted Lens	FR Frosted Lens
	-WD* Warm Dim 98CRI		*WD with 80° Optic not CA title 24 compliant.	LS Linear Spread Lens	LS Linear Spread Lens
		*Media 1 lens required. For WD with 10°, 30°, 50° Optic use MP (Solite Lens). For WD with 80° Optic use FR (Frosted Lens)		HEX Hex Louver	Holds 1 Media only when HEX selected
STANDARD FINISH	COASTAL COATING	REVISION	STANDARD DRIVER		
-WT Semi Gloss White	(blank) None	-5 Revision	-S Universal Dim Driver: 1%-100% 0-10V, TRIAC, ELV, 120V/277V		
-MB Matte Black	-C Coastal Coating		ALTERNATIVE DRIVER		
- Color Finish See p 8 for Color Finish Codes			-L3 Lutron Dim Driver: 1%-100% EcoSystem, 120V/277V -EL1 EldoLED DALI Dim: 1%-100% DALI, 120V/277V -EL2 EldoLED Dim: 0.1%-100% 0-10V, 120V/277V -DMX DMX Dim: 1%-100% DMX, 120V/277V		
NOTE: Ambient temperature rated for 25°C					

Project: _____

Type: _____

Note: _____

2", 3", 5" LED CYLINDER - WALL MOUNT

2" Cylinder LED Up & Downlight Wall Mount

(Example: LWU2-10-27-30-10-27-30-CL-CL-WT-C-5-S)

SHAPE	WATTAGE	CCT & CRI	↑UP OPTIC	↑UP MEDIA 1	↑UP MEDIA 2
LWU2 Wall Up & Downlight 2" Round	-10 10W	-27 2700K 90CRI	-10 10° Spot	(blank) None	(blank) None
SLWU2 Wall Up & Downlight 2" Square	-15 15W	-30 3000K 90CRI	-30 30° Narrow Flood	CL Clear Lens	CL Clear Lens
		-20 20W	-50 50° Flood	MP Solite Lens	MP Solite Lens
		-35 3500K 90CRI	-80* 80° Wide Flood	FR Frosted Lens	FR Frosted Lens
		-40 4000K 80CRI	-WD* Warm Dim 98CRI	LS Linear Spread Lens	LS Linear Spread Lens
*Media 1 lens required. For WD with 10°, 30°, 50° Optic use MP (Solite Lens). For WD with 80° Optic use FR (Frosted Lens)			*WD with 80° Optic not CA title 24 compliant.		
			↓DOWN OPTIC	↓DOWN MEDIA 1	↓DOWN MEDIA 2
			-10 10° Spot	(blank) None	(blank) None
			-30 30° Narrow Flood	CL Clear Lens	CL Clear Lens
			-50 50° Flood	MP Solite Lens	MP Solite Lens
			-80* 80° Wide Flood	FR Frosted Lens	FR Frosted Lens
			LS Linear Spread Lens	LS Linear Spread Lens	
			HEX Hex Louver	Holds 1 Media only when HEX selected	
			NOTE: Ambient temperature rated for 25°C		

STANDARD FINISH	COASTAL COATING	REVISION	STANDARD DRIVER
-WT Semi Gloss White	(blank) None	-5 Revision	-S Universal Dim Driver: 1%-100% 0-10V, TRIAC, ELV, 120V/277V
-MB Matte Black	-C Coastal Coating		ALTERNATIVE DRIVER
- Color Finish See p 8 for Color Finish Codes			-L3 Lutron Dim Driver: 1%-100% EcoSystem, 120V/277V
			-EL1 EldoLED DALI Dim: 1%-100% DALI, 120V/277V
			-EL2 EldoLED Dim: 0.1%-100% 0-10V, 120V/277V
			-DMX DMX Dim: 1%-100% DMX, 120V/277V
NOTE: Ambient temperature rated for 25°C			

Accessories (2" Cylinder)

OPTIC	MEDIA
C2-10-OPTIC 10° Spot	C2-CL Clear Lens
C2-30-OPTIC 30° Narrow Flood	C2-MP Solite Lens
C2-50-OPTIC 50° Flood	C2-FR Frosted Lens
C2-80-OPTIC 80° Wide Flood	C2-LS Linear Spread Lens
	C2-HEX Hex Louver

Emergency Options

DRIVER	
EM-1000	25W Remote Inverter
EM-1002*	10W Remote Emergency Driver - Title 20
EM-1003-CA	35W Remote Inverter - Title 20
EM-1004	50W Remote Inverter
EM-1006	25W Remote Inverter - Title 20
*EM-1002 not compatible with Standard Driver	

Project: _____

Type: _____

Note: _____

2", 3", 5" LED CYLINDER - WALL MOUNT

3" WALL MOUNT ORDER MATRIX

3" Cylinder LED Downlight Wall Mount

(Example: LWD3-25-35-50-CL-MB-C-6-S)

SHAPE	WATTAGE	CCT & CRI	OPTIC	MEDIA 1	MEDIA 2
LWD3 Wall Downlight 3" Round	-15 15W	-27 2700K 90CRI	-10 10° Spot	(blank) None	(blank) None
SLWD3 Wall Downlight 3" Square	-20 20W	-30 3000K 90CRI	-30 30° Narrow Flood	CL Clear Lens	CL Clear Lens
	-25 25W	-35 3500K 90CRI	-50 50° Flood	MP Solite Lens	MP Solite Lens
	-30 30W	-40 4000K 80CRI	-80* 80° Wide Flood	FR Frosted Lens	FR Frosted Lens
		-WD* Warm Dim 98CRI	*WD with 80° Optic not CA title 24 compliant.	LS Linear Spread Lens	LS Linear Spread Lens
		*Media 1 lens required. For WD with 10°, 30°, 50° Optic use MP (Solite Lens). For WD with 80° Optic use FR (Frosted Lens)		HEX Hex Louver	Holds 1 Media only when HEX selected
STANDARD FINISH	COASTAL COATING	REVISION	STANDARD DRIVER		
-WT Semi Gloss White	(blank) None	-6 Revision	-S Universal Dim Driver: 1%-100% 0-10V, TRIAC, ELV, 120V/277V		
-MB Matte Black	-C Coastal Coating		ALTERNATIVE DRIVER		
- Color Finish			-L3 Lutron Dim Driver: 1%-100% EcoSystem, 120V/277V		
See p 8 for Color Finish Codes			-EL1 EldoLED DALI Dim: 1%-100% DALI, 120V/277V		
			-EL2 EldoLED Dim: 0.1%-100% 0-10V, 120V/277V		
			-DMX DMX Dim: 1%-100% DMX, 120V/277V		
			NOTE: Ambient temperature rated for 25°C		

Project: _____

Type: _____

Note: _____

2", 3", 5" LED CYLINDER - WALL MOUNT

3" Cylinder LED Up & Downlight Wall Mount

(Example: LWU3-10-27-30-10-27-30-CL-CL-WT-C-6-S)

SHAPE	WATTAGE	CCT & CRI	↑UP OPTIC	↑UP MEDIA 1	↑UP MEDIA 2
LWU3 Wall Up & Downlight 3" Round	-15 15W	-27 2700K 90CRI	-10 10° Spot	(blank) None	(blank) None
SLWU3 Wall Up & Downlight 3" Square	-20 20W	-30 3000K 90CRI	-30 30° Narrow Flood -50 50° Flood -80* 80° Wide Flood *WD with 80° Optic not CA title 24 compliant.	CL Clear Lens	CL Clear Lens
	-25 25W	-35 3500K 90CRI		MP Solite Lens	MP Solite Lens
	-30 30W	-40 4000K 80CRI		FR Frosted Lens	FR Frosted Lens
	-WD* Warm Dim 98CRI			LS Linear Spread Lens	LS Linear Spread Lens
*Media 1 lens required. For WD with 10°, 30°, 50° Optic use MP (Solite Lens). For WD with 80° Optic use FR (Frosted Lens)				HEX Hex Louver	Holds 1 Media only when HEX selected
			↓DOWN OPTIC	↓DOWN MEDIA 1	↓DOWN MEDIA 2
			-10 10° Spot	(blank) None	(blank) None
			-30 30° Narrow Flood	CL Clear Lens	CL Clear Lens
			-50 50° Flood	MP Solite Lens	MP Solite Lens
			-80* 80° Wide Flood	FR Frosted Lens	FR Frosted Lens
			*WD with 80° Optic not CA title 24 compliant.	LS Linear Spread Lens	LS Linear Spread Lens
				HEX Hex Louver	Holds 1 Media only when HEX selected

STANDARD FINISH	COASTAL COATING	REVISION	STANDARD DRIVER
-WT Semi Gloss White	(blank) None	-6 Revision	-S Universal Dim Driver: 1%-100% 0-10V, TRIAC, ELV, 120V/277V
-MB Matte Black	-C Coastal Coating		ALTERNATIVE DRIVER
- Color Finish See p 8 for Color Finish Codes			-L3 Lutron Dim Driver: 1%-100% EcoSystem, 120V/277V -EL1 EldoLED DALI Dim: 1%-100% DALI, 120V/277V -EL2 EldoLED Dim: 0.1%-100% 0-10V, 120V/277V -DMX DMX Dim: 1%-100% DMX, 120V/277V
			NOTE: Ambient temperature rated for 25°C

Accessories (3" Cylinder)

OPTIC	MEDIA
C3-10-OPTIC 10° Spot	C3-CL Clear Lens
C3-30-OPTIC 30° Narrow Flood	C3-MP Solite Lens
C3-50-OPTIC 50° Flood	C3-FR Frosted Lens
C3-80-OPTIC 80° Wide Flood	C3-LS Linear Spread Lens
	C3-HEX Hex Louver

Emergency Options

DRIVER	
EM-1000	25W Remote Inverter
EM-1002*	10W Remote Emergency Driver - Title 20
EM-1003-CA	35W Remote Inverter - Title 20
EM-1004	50W Remote Inverter
EM-1006	25W Remote Inverter - Title 20
*EM-1002 not compatible with Standard Driver	

Project: _____

Type: _____

Note: _____

2", 3", 5" LED CYLINDER - WALL MOUNT

5" WALL MOUNT ORDER MATRIX

5" Cylinder LED Downlight Wall Mount

(Example: LWD5-50-WD-80-MP-FR-WT-C-3-S)

SHAPE	WATTAGE	CCT & CRI	OPTIC	MEDIA 1	MEDIA 2
LWD5 Wall Downlight 5" Round	-15 15W	-27 2700K 90CRI	-10 10° Spot	(blank) None	(blank) None
SLWD5 Wall Downlight 5" Square	-20 20W	-30 3000K 90CRI	-30 30° Narrow Flood	CL Clear Lens	CL Clear Lens
	-25 25W	-35 3500K 90CRI	-50 50° Flood	MP Solite Lens	MP Solite Lens
	-30 30W	-40 4000K 80CRI	-80* 80° Wide Flood	FR Frosted Lens	FR Frosted Lens
	-35 35W	-WD* Warm Dim 98CRI	*WD with 80° Optic not CA title 24 compliant.	LS Linear Spread Lens	LS Linear Spread Lens
	-40 40W	*Media 1 lens required. For WD with 10°, 30°, 50° Optic use MP (Solite Lens). For WD with 80° Optic use FR (Frosted Lens)		HEX Hex Louver	Holds 1 Media only when HEX selected
	-50 50W				
STANDARD FINISH	COASTAL COATING	REVISION	STANDARD DRIVER		
-WT Semi Gloss White	(blank) None	-3 Revision	-S Universal Dim Driver: 1%-100% 0-10V, TRIAC, ELV, 120V/277V		
-MB Matte Black	-C Coastal Coating		ALTERNATIVE DRIVER		
- Color Finish			-L3 Lutron Dim Driver: 1%-100% EcoSystem, 120V/277V		
See p 8 for Color Finish Codes			-EL1 EldoLED DALI Dim: 1%-100% DALI, 120V/277V		
			-EL2 EldoLED Dim: 0.1%-100% 0-10V, 120V/277V		
			-DMX DMX Dim: 1%-100% DMX, 120V/277V		
			NOTE: Ambient temperature rated for 25°C, 50W option not available		

Project: _____

Type: _____

Note: _____

2", 3", 5" LED CYLINDER - WALL MOUNT

5" Cylinder LED Up & Downlight Wall Mount

(Example: LWU5-15-27-30-10-27-30-CL-CL-WT-C-3-S)

SHAPE	WATTAGE	CCT & CRI	↑UP OPTIC	↑UP MEDIA 1	↑UP MEDIA 2
LWU5 Wall Up & Downlight 5" Round	-15 15W	-27 2700K 90CRI	-10 10° Spot	(blank) None	(blank) None
SLWU5 Wall Up & Downlight 5" Square	-20 20W	-30 3000K 90CRI	-30 30° Narrow Flood -50 50° Flood -80* 80° Wide Flood *WD with 80° Optic not CA title 24 compliant.	CL Clear Lens	CL Clear Lens
	-25 25W	-35 3500K 90CRI		MP Solite Lens	MP Solite Lens
	-30 30W	-40 4000K 80CRI		FR Frosted Lens	FR Frosted Lens
	-35 35W	-WD* Warm Dim 98CRI		LS Linear Spread Lens	LS Linear Spread Lens
	-40 40W	*Media 1 lens required. For WD with 10°, 30°, 50° Optic use MP (Solite Lens). For WD with 80° Optic use FR (Frosted Lens)		HEX Hex Louver	Holds 1 Media only when HEX selected
	-50 50W				
			↓DOWN OPTIC	↓DOWN MEDIA 1	↓DOWN MEDIA 2
			-10 10° Spot	(blank) None	(blank) None
			-30 30° Narrow Flood	CL Clear Lens	CL Clear Lens
			-50 50° Flood	MP Solite Lens	MP Solite Lens
			-80* 80° Wide Flood	FR Frosted Lens	FR Frosted Lens
			*WD with 80° Optic not CA title 24 compliant.	LS Linear Spread Lens	LS Linear Spread Lens
				HEX Hex Louver	Holds 1 Media only when HEX selected

STANDARD FINISH	COASTAL COATING	REVISION	STANDARD DRIVER
-WT Semi Gloss White	(blank) None	-3 Revision	-S Universal Dim Driver: 1%-100% 0-10V, TRIAC, ELV, 120V/277V
-MB Matte Black	-C Coastal Coating		ALTERNATIVE DRIVER
- Color Finish See p 8 for Color Finish Codes			-L3 Lutron Dim Driver: 1%-100% EcoSystem, 120V/277V
			-EL1 EldoLED DALI Dim: 1%-100% DALI, 120V/277V
			-EL2 EldoLED Dim: 0.1%-100% 0-10V, 120V/277V
			-DMX DMX Dim: 1%-100% DMX, 120V/277V
			NOTE: Ambient temperature rated for 25°C

Accessories (5" Cylinder)

OPTIC	MEDIA
C5-10-OPTIC 10° Spot	C5-CL Clear Lens
C5-30-OPTIC 30° Narrow Flood	C5-MP Solite Lens
C5-50-OPTIC 50° Flood	C5-FR Frosted Lens
C5-80-OPTIC 80° Wide Flood	C5-LS Linear Spread Lens
	C5-HEX Hex Louver

Emergency Options

DRIVER	
EM-1000	25W Remote Inverter
EM-1002*	10W Remote Emergency Driver - Title 20
EM-1003-CA	35W Remote Inverter - Title 20
EM-1004	50W Remote Inverter
EM-1006	25W Remote Inverter - Title 20
*EM-1002 not compatible with Standard Driver	

Project: _____

Type: _____

Note: _____

2", 3", 5" LED CYLINDER - WALL MOUNT

STANDARD FINISH

(Standard Driver Mount Shown)



WT
Semi Gloss White



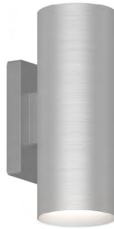
MB
Matte Black

COLOR FINISH

(Standard Driver Mount Shown)



FLG
Flannel Gray



PNA
Painted Natural
Aluminum



TBZ
Textured Bronze



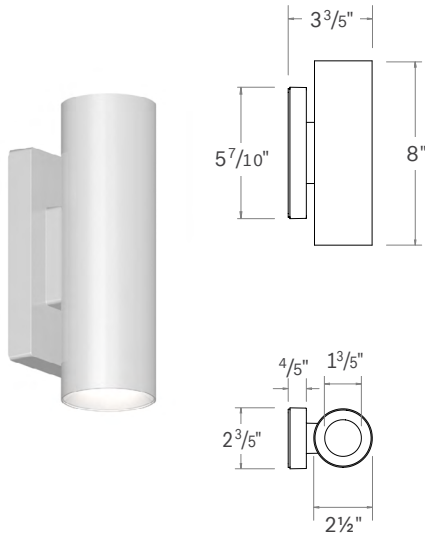
TGP
Textured Graphite

2", 3", 5" LED CYLINDER - WALL MOUNT

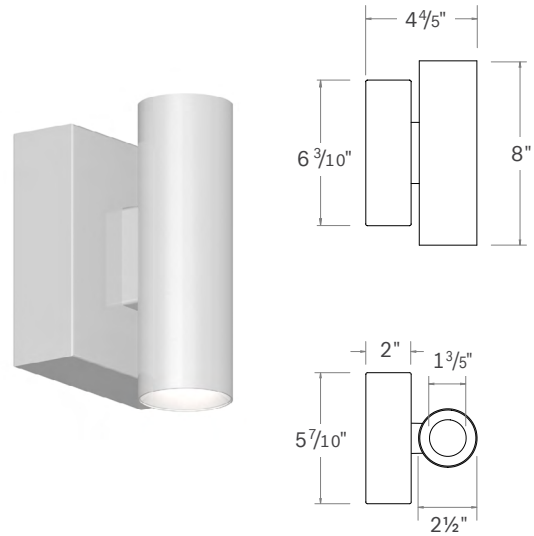
2" ROUND CYLINDER

LWD2 (2" Round Cylinder Downlight - Wall Mount)

STANDARD DRIVER BACKPLATE



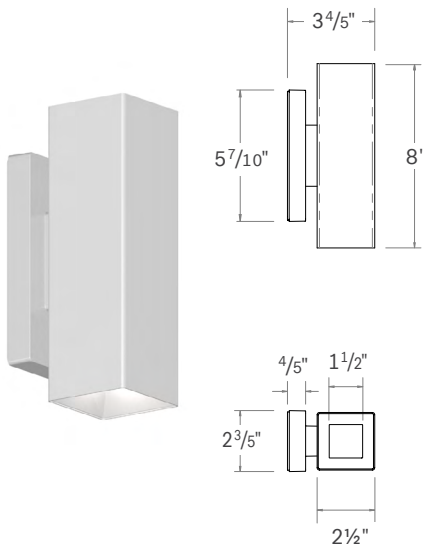
ALTERNATIVE DRIVER BACKPLATE



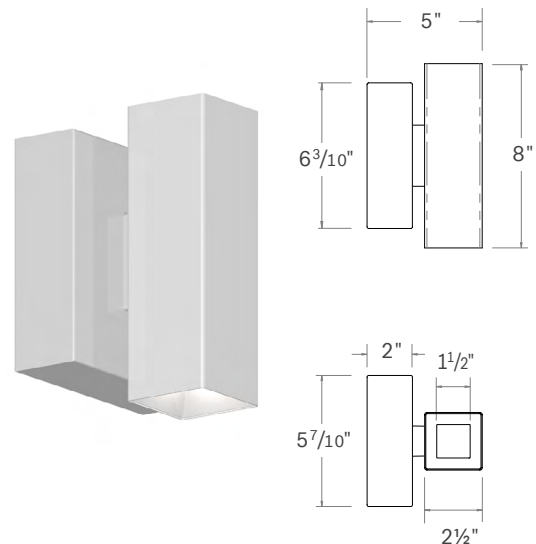
2" SQUARE CYLINDER

SLWD2 (2" Square Cylinder Downlight - Wall Mount)

STANDARD DRIVER BACKPLATE



ALTERNATIVE DRIVER BACKPLATE

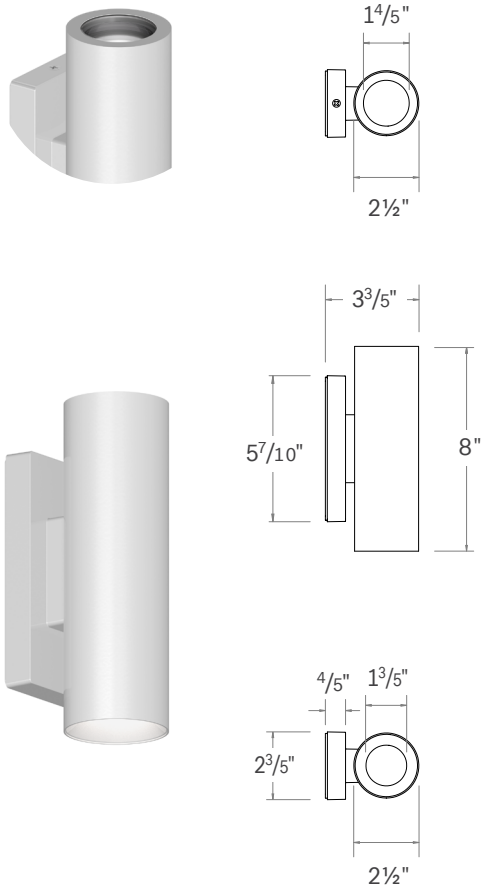


2", 3", 5" LED CYLINDER - WALL MOUNT

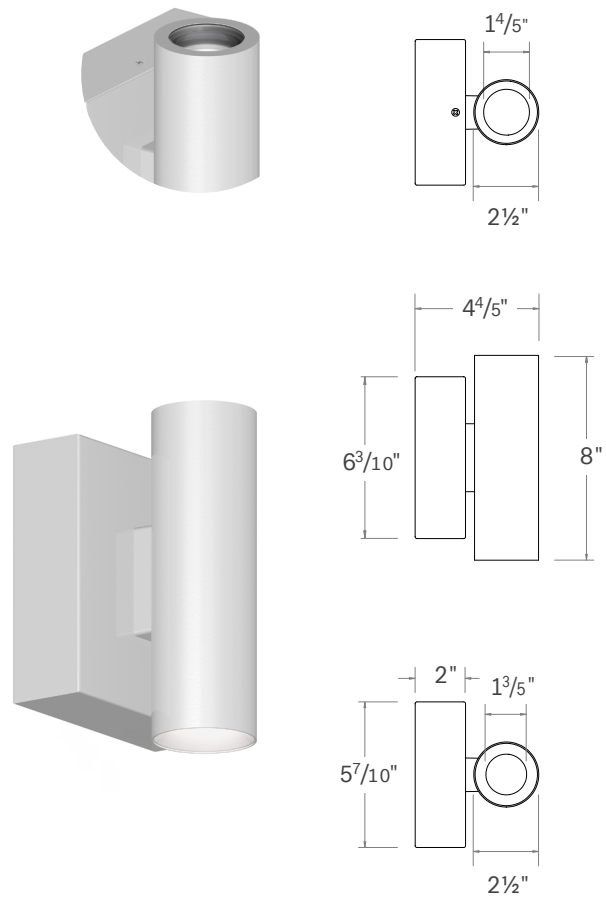
2" ROUND CYLINDER

LWU2 (2" Round Cylinder Up & Downlight - Wall Mount)

STANDARD DRIVER BACKPLATE



ALTERNATIVE DRIVER BACKPLATE

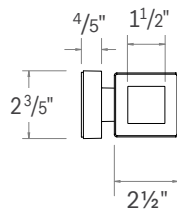
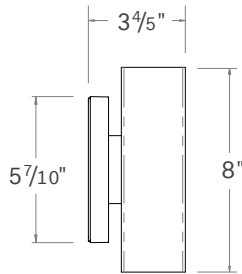
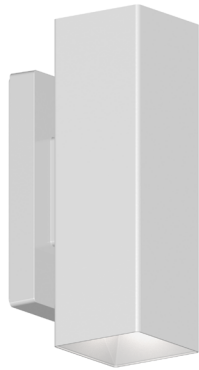
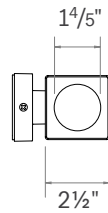
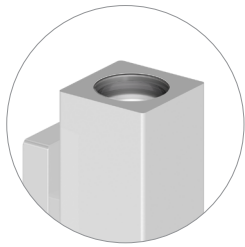


2", 3", 5" LED CYLINDER - WALL MOUNT

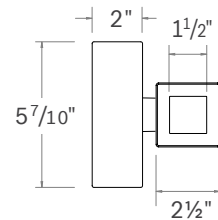
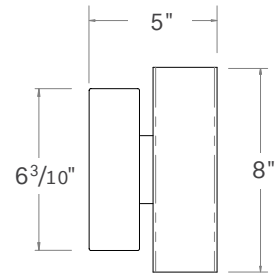
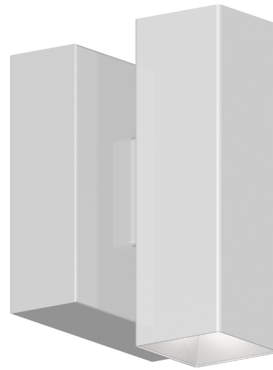
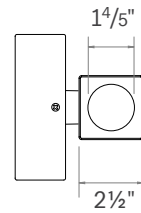
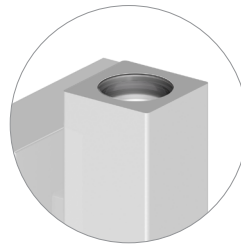
2" SQUARE CYLINDER

SLWU2 (2" Square Cylinder Up & Downlight - Wall Mount)

STANDARD DRIVER BACKPLATE



ALTERNATIVE DRIVER BACKPLATE

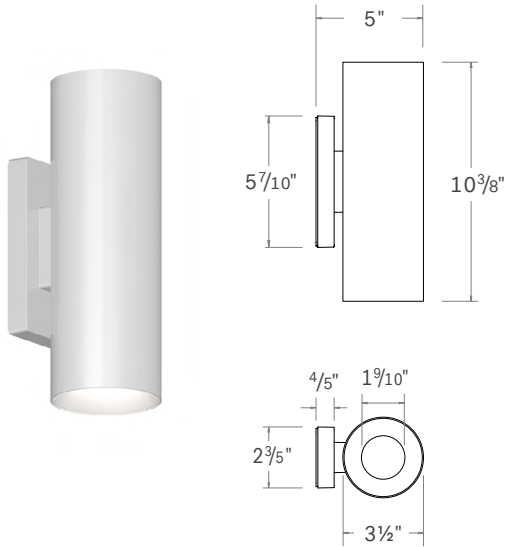


2", 3", 5" LED CYLINDER - WALL MOUNT

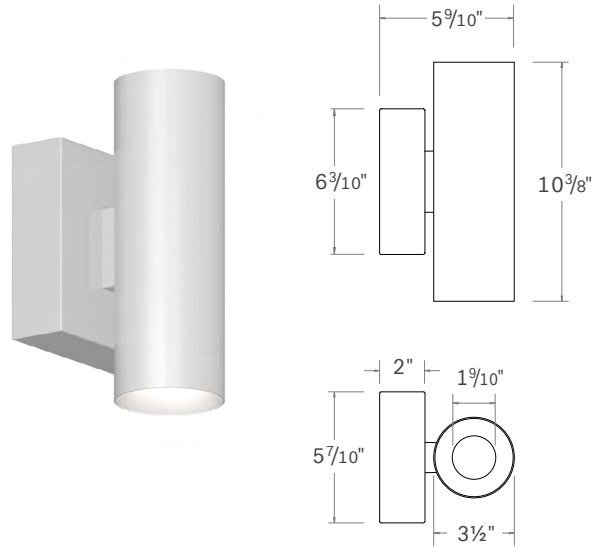
3" ROUND CYLINDER

LWD3 (3" Round Cylinder Downlight - Wall Mount)

STANDARD DRIVER BACKPLATE



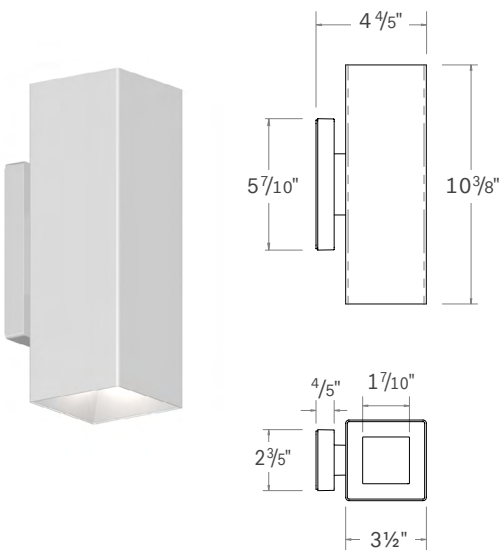
ALTERNATIVE DRIVER BACKPLATE



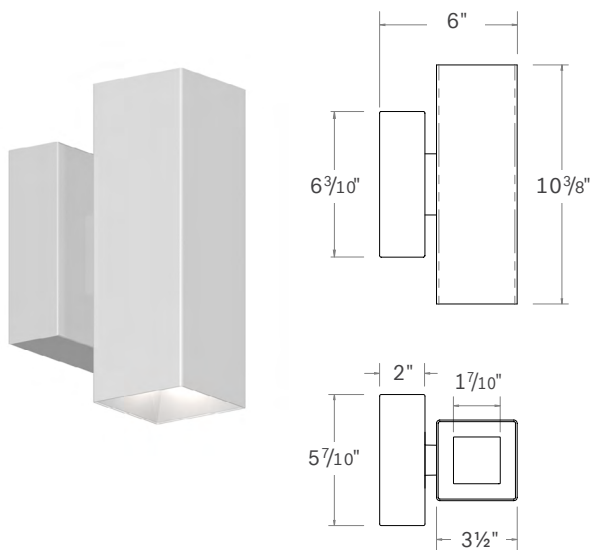
3" SQUARE CYLINDER

SLWD3 (3" Square Cylinder Downlight - Wall Mount)

STANDARD DRIVER BACKPLATE



ALTERNATIVE DRIVER BACKPLATE



Project: _____

Type: _____

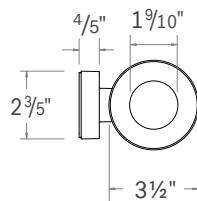
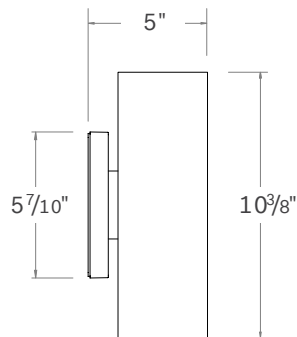
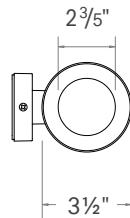
Note: _____

2", 3", 5" LED CYLINDER - WALL MOUNT

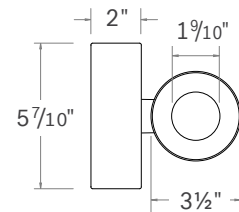
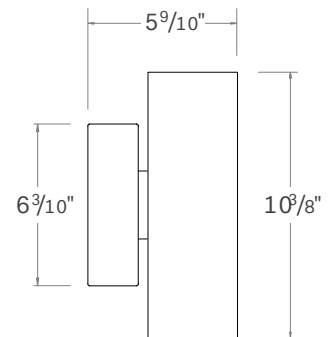
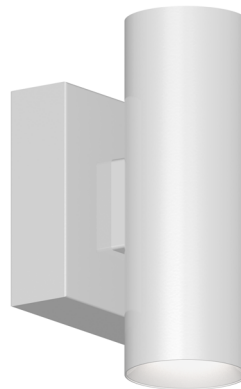
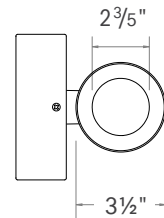
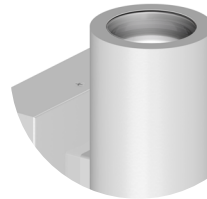
3" ROUND CYLINDER

LWU3 (3" Round Cylinder Up & Downlight - Wall Mount)

STANDARD DRIVER BACKPLATE



ALTERNATIVE DRIVER BACKPLATE



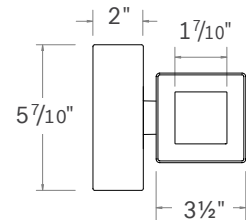
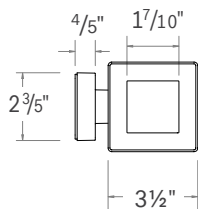
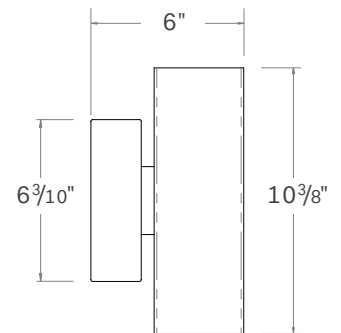
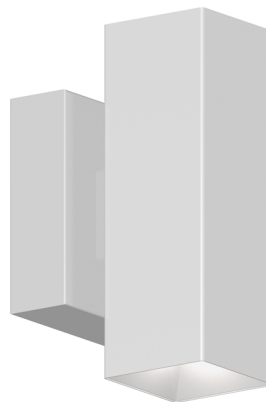
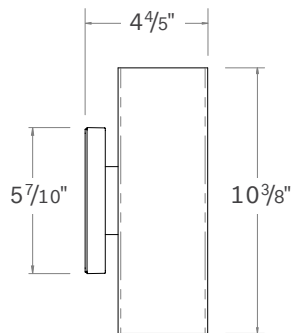
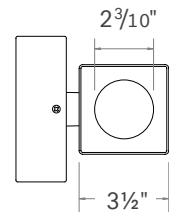
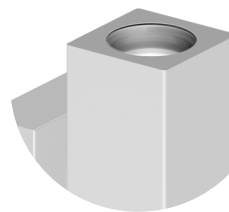
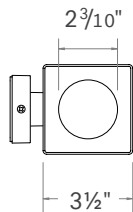
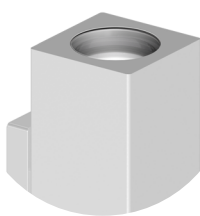
2", 3", 5" LED CYLINDER - WALL MOUNT

3" SQUARE CYLINDER

SLWU3 (3" Square Cylinder Up & Downlight - Wall Mount)

STANDARD DRIVER BACKPLATE

ALTERNATIVE DRIVER BACKPLATE

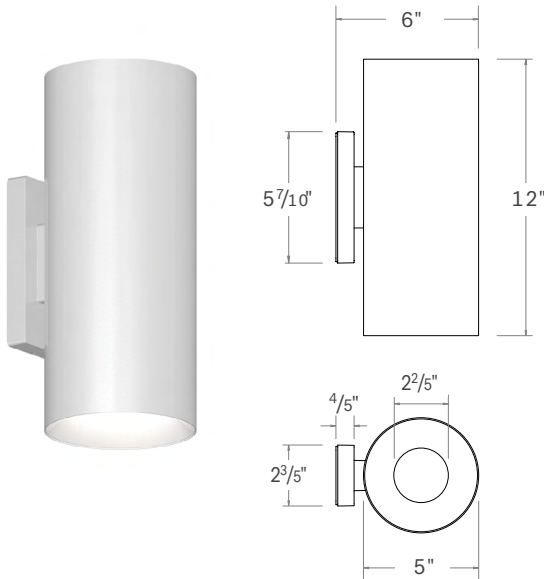


2", 3", 5" LED CYLINDER - WALL MOUNT

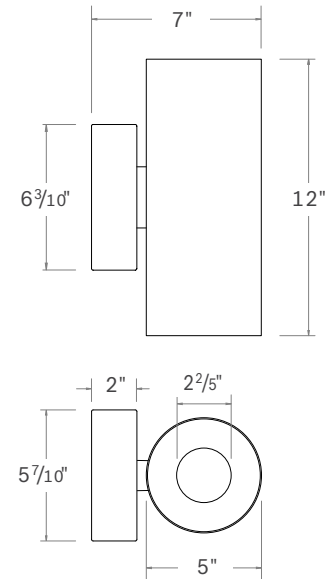
5" ROUND CYLINDER

LWD5 (5" Round Cylinder Downlight - Wall Mount)

STANDARD DRIVER BACKPLATE



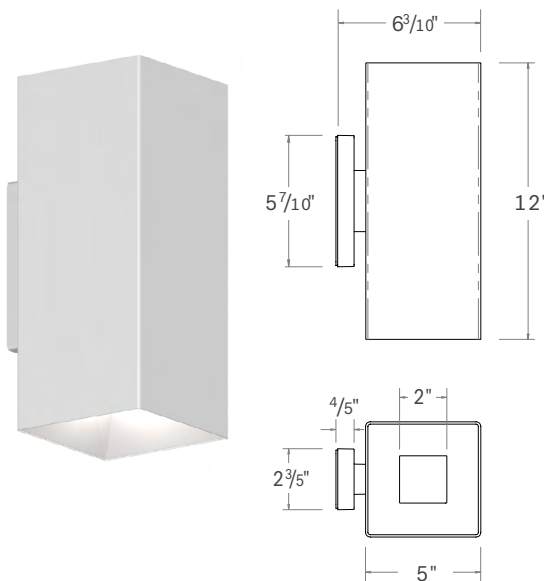
ALTERNATIVE DRIVER BACKPLATE



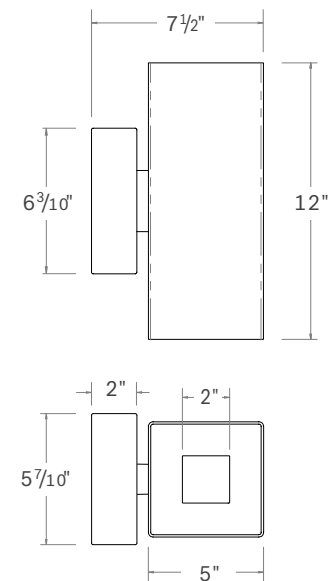
5" SQUARE CYLINDER

SLWD5 (5" Square Cylinder Downlight - Wall Mount)

STANDARD DRIVER BACKPLATE



ALTERNATIVE DRIVER BACKPLATE

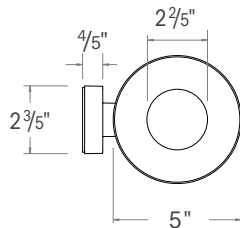
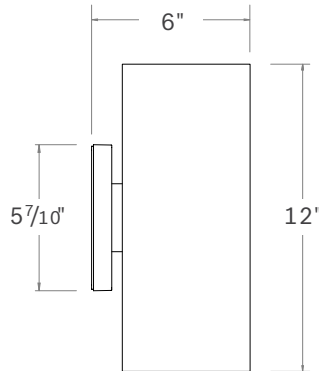
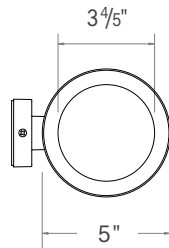


2", 3", 5" LED CYLINDER - WALL MOUNT

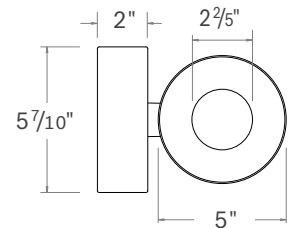
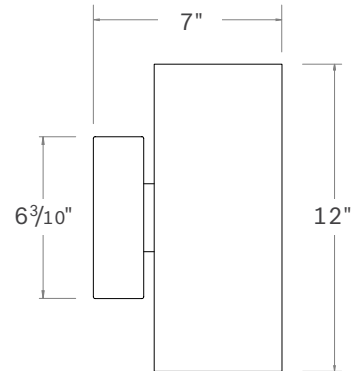
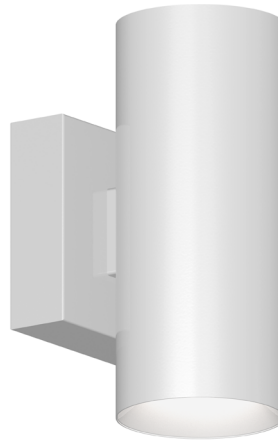
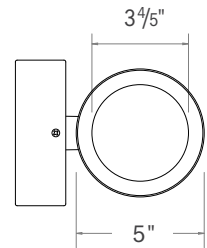
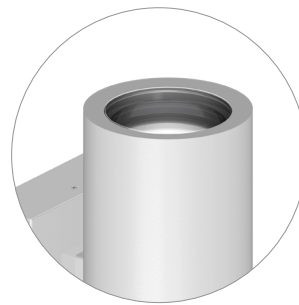
5" ROUND CYLINDER

LWU5 (5" Round Cylinder Up & Downlight - Wall Mount)

STANDARD DRIVER BACKPLATE



ALTERNATIVE DRIVER BACKPLATE



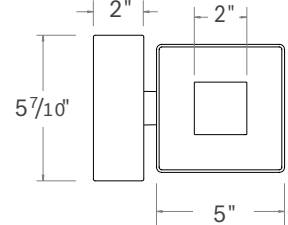
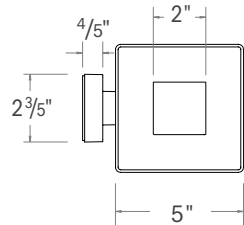
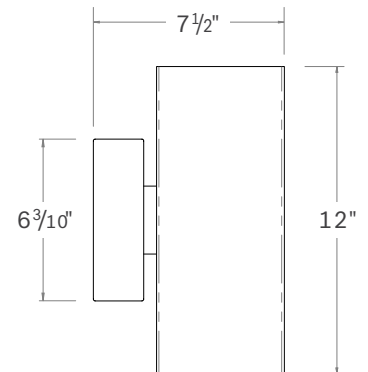
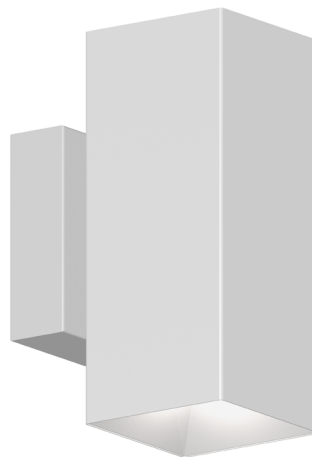
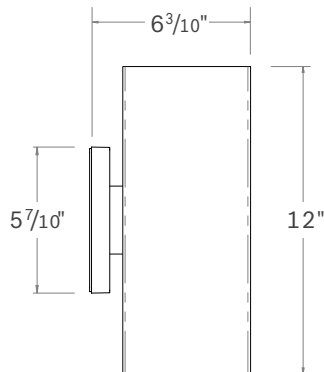
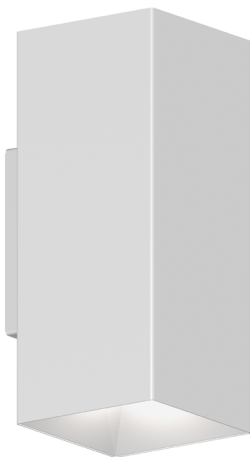
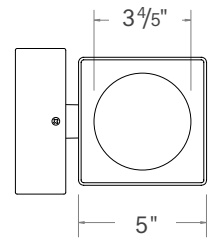
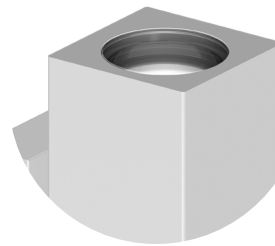
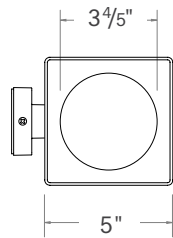
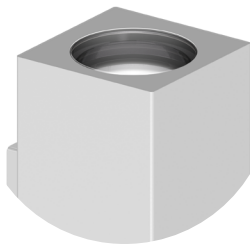
2", 3", 5" LED CYLINDER - WALL MOUNT

5" SQUARE CYLINDER

SLWU5 (5" Square Cylinder Up & Downlight - Wall Mount)

STANDARD DRIVER BACKPLATE

ALTERNATIVE DRIVER BACKPLATE



Project: _____

Type: _____

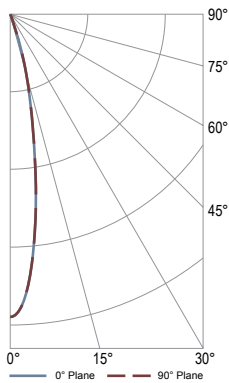
Note: _____

2", 3", 5" LED CYLINDER - WALL MOUNT

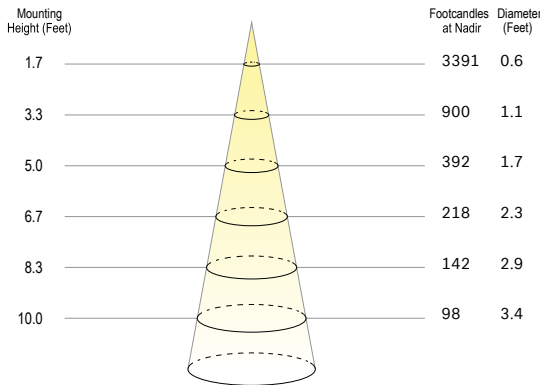
PHOTOMETRICS

2" Cylinder (2700K, 90 CRI, 20W) 10° Optic

Polar Plot



Cone of Light Tabulation



VOLTAGE	CURRENT	POWER
119.97 VAC	0.17945 A	21.38W

POWER FACTOR	FREQUENCY	CURRENT THD
0.993	60 Hz	9.3%

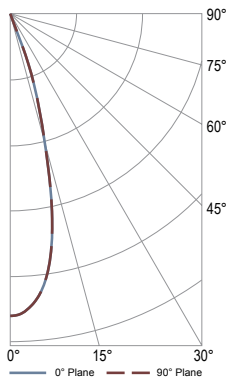
Summary of Results

Spacing Criteria	Total Lumen Output:	1407.3 Lumens
0-180: 0.34	Luminaire Efficacy:	65.8 lm/w
90-270: 0.34	Maximum Candela:	9800 Candela

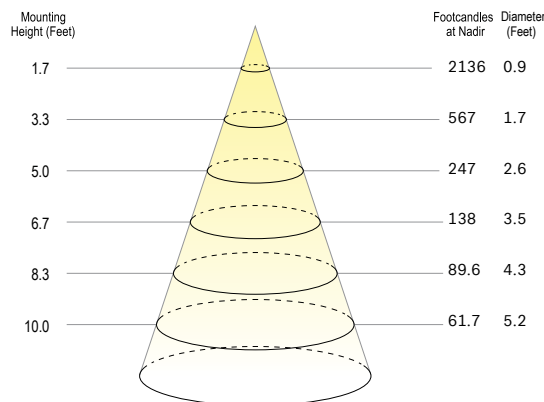
ZONE	LUMENS	% OF LUMINAIRE
0-40	1404.2	98.8%
0-60	1417.42	99.7%
0-90	1421.67	100%

2" Cylinder (2700K, 90 CRI, 20W) 30° Optic

Polar Plot



Cone of Light Tabulation



VOLTAGE	CURRENT	POWER
119.97 VAC	0.1796A	21.4W

POWER FACTOR	FREQUENCY	CURRENT THD
0.993	60 Hz	9.2%

Summary of Results

Spacing Criteria	Total Lumen Output:	1501.9 Lumens
0-180: 0.50	Luminaire Efficacy:	70.2 lm/w
90-270: 0.50	Maximum Candela:	6174 Candela

ZONE	LUMENS	% OF LUMINAIRE
0-40	1493.77	98.9%
0-60	1507.81	99.8%
0-90	1510.9	100%

Project: _____

Type: _____

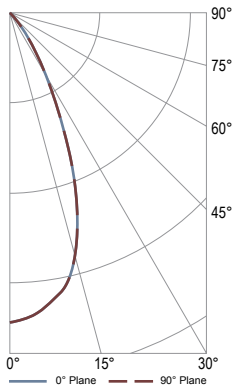
Note: _____

2", 3", 5" LED CYLINDER - WALL MOUNT

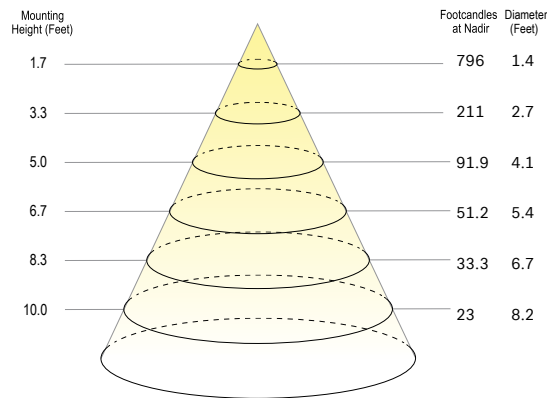
PHOTOMETRICS

2" Cylinder (2700K, 90 CRI, 20W) 50° Optic

Polar Plot



Cone of Light Tabulation



VOLTAGE	CURRENT	POWER
119.97 VAC	0.1796 A	21.41W

POWER FACTOR	FREQUENCY	CURRENT THD
0.993	60 Hz	9.1%

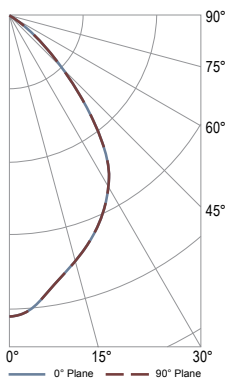
Summary of Results

Spacing Criteria	Total Lumen Output:	1385.6 Lumens
0-180: 0.72	Luminaire Efficacy:	64.7 lm/w
90-270: 0.74	Maximum Candela:	2297 Candela

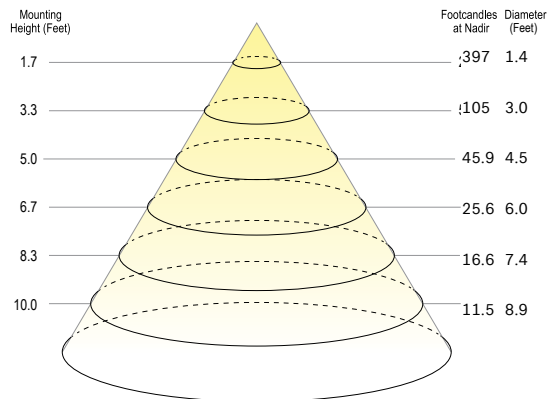
ZONE	LUMENS	% OF LUMINAIRE
0-40	1310.37	94.4%
0-60	1384.27	99.7%
0-90	1385.6	100%

2" Cylinder (2700K, 90 CRI, 20W) 80° Optic

Polar Plot



Cone of Light Tabulation



VOLTAGE	CURRENT	POWER
119.97 VAC	0.1795A	21.39W

POWER FACTOR	FREQUENCY	CURRENT THD
0.993	60 Hz	9.1%

Summary of Results

Spacing Criteria	Total Lumen Output:	1170 Lumens
0-180: 1.36	Luminaire Efficacy:	57 lm/w
90-270: 1.38	Maximum Candela:	755 Candela

ZONE	LUMENS	% OF LUMINAIRE
0-40	903.62	77.2%
0-60	1157.25	98.9%
0-90	1170	100%

Project: _____

Type: _____

Note: _____

2", 3", 5" LED CYLINDER - WALL MOUNT

DIMMING DRIVER COMPATIBILITY

"S" STANDARD UNIVERSAL DIM

COMPATIBLE PHASE CUT DIMMER	
MANUFACTURER	PRODUCT
Cooper	DAL06P
	DLC03P
	SLC03P
Leviton	6161
	6631-2
	6633-P
	6673-10W
	6683-IW
	IPE04
	IPI06-1LZ
	VPE06
Lightolier	ZP26QEW
Lutron	CT103P
	DV600P
	DVCL-153P
	DVEL303P
	FAELV500
	LG600P
	MAELV600
	S600P
	S-603PG
	SELV300P
	TG-600P
	TGCL-153P

COMPATIBLE 1-10V DIMMER	
MANUFACTURER	PRODUCT
Leviton	IP740-DLZ
Lightolier	ZP600FAM120
	V2000FAMU
Lutron	DVTV
	NTFTV
Crestron	CLS-EXP-DIMFLV
	DIN-4DIMFLV4
	DIN-A08
	GLX-DIMFLV8

2", 3", 5" LED CYLINDER - WALL MOUNT

DIMMING DRIVER COMPATIBILITY

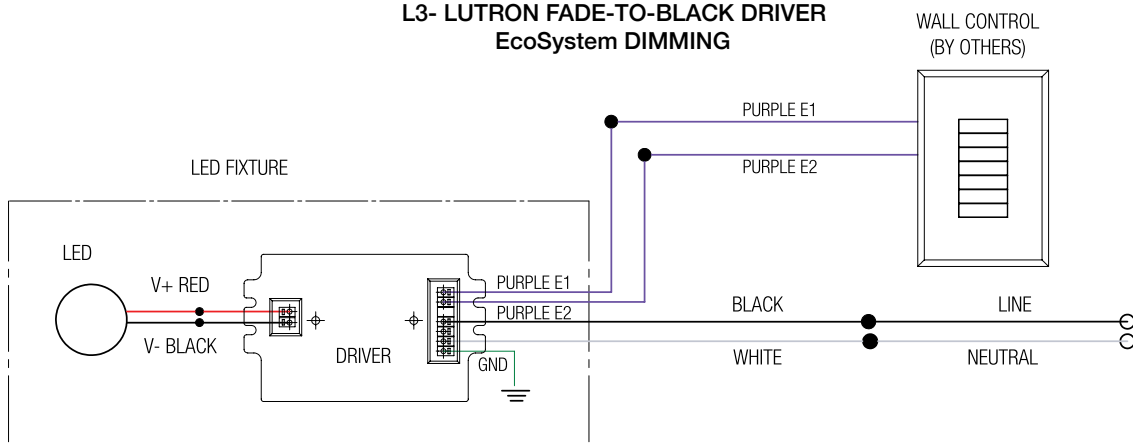
DIMMER LIST

"L3" LUTRON FADE-TO-BLACK

DIMMER INFORMATION	
MANUFACTURER	PRODUCT
Lutron	LQSE-2ECO-D
	RMJ-ECO32-DV-B
	FCJ/FCJS-ECO
	QSN-1ECO-S
	QSN-2ECO-S
	EcoSystem ESN
	Grafik Eye QS with EcoSystem
	Quantum

NOTE: Wiring diagrams are examples of typical installations intended to illustrate the number of wires that must be run to fixture. These diagrams are not intended to specify all equipment necessary for a given dimming circuit. Refer to specific dimmer manufacturer's documentation for details.

L3- LUTRON FADE-TO-BLACK DRIVER EcoSystem DIMMING



IMPORTANT SAFETY INSTRUCTIONS - SAVE THESE INSTRUCTIONS

1. Keep these instructions in a safe place for future reference.
2. Only qualified electricians in accordance to local codes should install these fixtures
3. De-energize the electrical circuit at the circuit breaker prior to installation process or servicing.
4. Make sure all connections are in accordance with the National Electrical Code and any local regulations.
5. Cap any wires not used separately (not together).

2", 3", 5" LED CYLINDER - WALL MOUNT

DIMMING DRIVER COMPATIBILITY

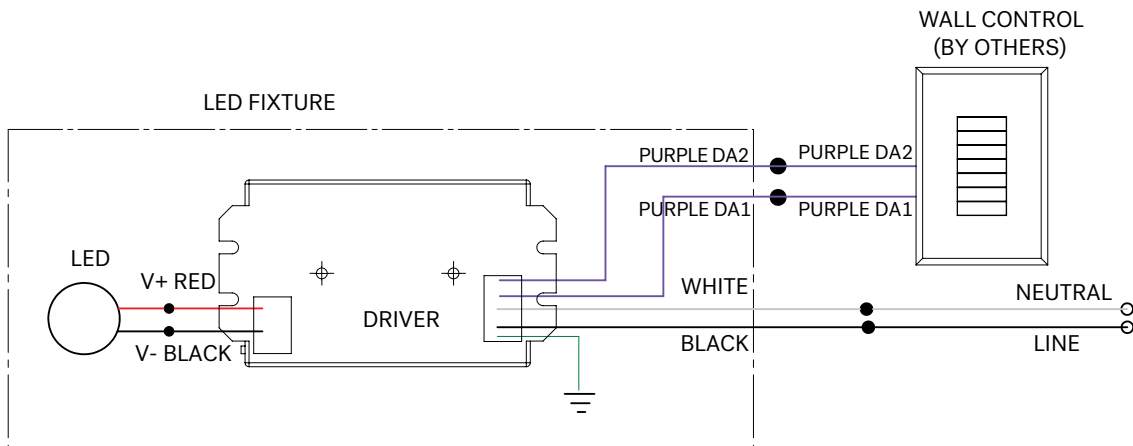
DIMMER LIST

"EL1" eldoLED DALI 1%

DIMMER INFORMATION	
MANUFACTURER	PRODUCT
	DALI Controls

NOTE: Wiring diagrams are examples of typical installations intended to illustrate the number of wires that must be run to fixture. These diagrams are not intended to specify all equipment necessary for a given dimming circuit. Refer to specific dimmer manufacturer's documentation for details.

EL1- eldoLED DRIVER DALI DIMMING



IMPORTANT SAFETY INSTRUCTIONS - SAVE THESE INSTRUCTIONS

1. Keep these instructions in a safe place for future reference.
2. Only qualified electricians in accordance to local codes should install these fixtures
3. De-energize the electrical circuit at the circuit breaker prior to installation process or servicing.
4. Make sure all connections are in accordance with the National Electrical Code and any local regulations.
5. Cap any wires not used separately (not together).

Project: _____
 Type: _____
 Note: _____

2", 3", 5" LED CYLINDER - WALL MOUNT

DIMMING DRIVER COMPATIBILITY

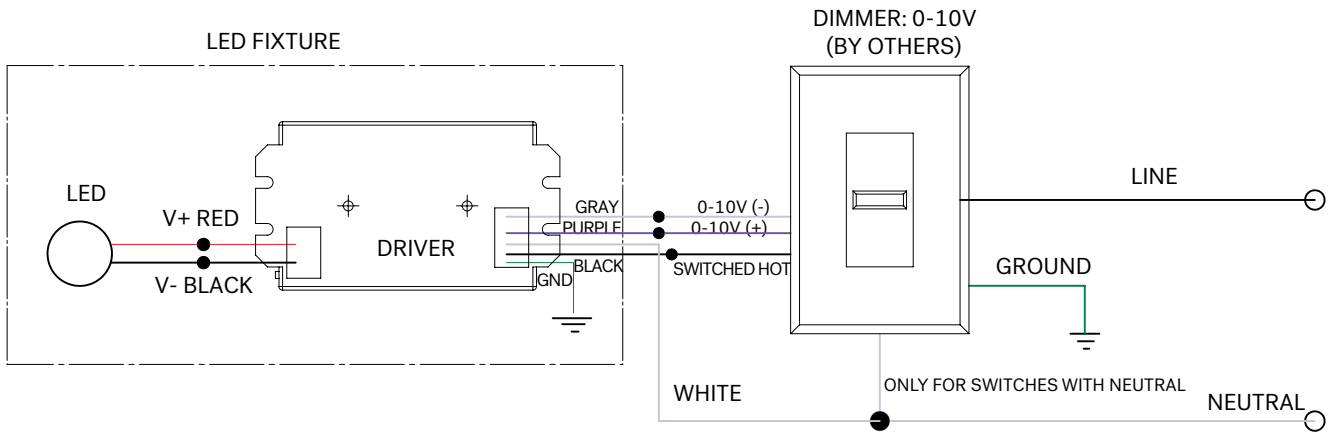
DIMMER LIST

"EL2" eLdoLED 0-10V 1%

DIMMER INFORMATION	
MANUFACTURER	PRODUCT
Leviton	IP740-DLZ
Lightolier	ZP600FAM120
Lutron	DVTV
	NTFTV
	NFTV
Crestron	CLS-EXP-DIMFLV
	DIN-4DIMFLV4
	DIN-A08
	GLX-DIMFLV8

NOTE: Wiring diagrams are examples of typical installations intended to illustrate the number of wires that must be run to fixture. These diagrams are not intended to specify all equipment necessary for a given dimming circuit. Refer to specific dimmer manufacturer's documentation for details.

EL2- eLdoLED DRIVER 0-10V DIMMING



IMPORTANT SAFETY INSTRUCTIONS - SAVE THESE INSTRUCTIONS

1. Keep these instructions in a safe place for future reference.
2. Only qualified electricians in accordance with local codes should install these fixtures
3. De-energize the electrical circuit at the circuit breaker prior to installation process or servicing.
4. Make sure all connections are in accordance with the National Electrical Code and any local regulations.
5. Cap any wires not used separately (not together).

2", 3", 5" LED CYLINDER - WALL MOUNT

DIMMING DRIVER COMPATIBILITY

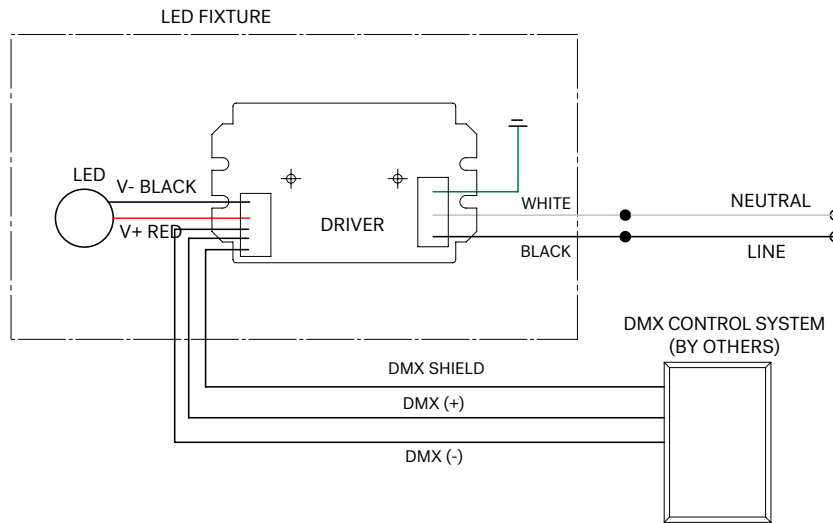
DIMMER LIST

"DMX" Moons

DIMMER INFORMATION	
MANUFACTURER	PRODUCT
	DMX Controls

NOTE: Wiring diagrams are examples of typical installations intended to illustrate the number of wires that must be run to fixture. These diagrams are not intended to specify all equipment necessary for a given dimming circuit. Refer to specific dimmer manufacturer's documentation for details.

DMX DRIVER WIRING DIAGRAM



IMPORTANT SAFETY INSTRUCTIONS - SAVE THESE INSTRUCTIONS

1. Keep these instructions in a safe place for future reference.
2. Only qualified electricians in accordance to local codes should install these fixtures
3. De-energize the electrical circuit at the circuit breaker prior to installation process or servicing.
4. Make sure all connections are in accordance with the National Electrical Code and any local regulations.
5. Cap any wires not used separately (not together).