

CSL

GYROSHIFT MULTIPLES

GYROSHIFT MULTIPLES 2" ADJUSTABLE DOWNLIGHT

PROJECT: _____

TYPE: _____

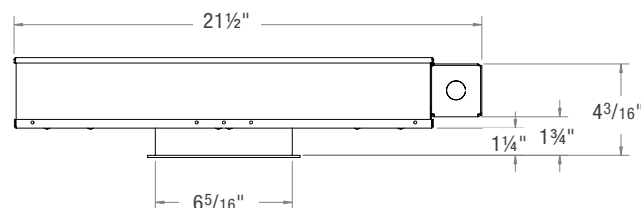
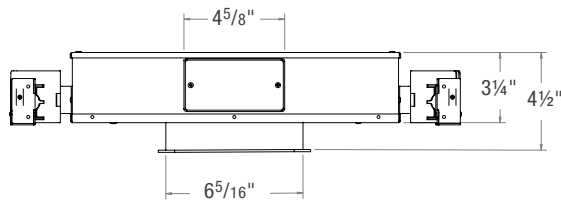
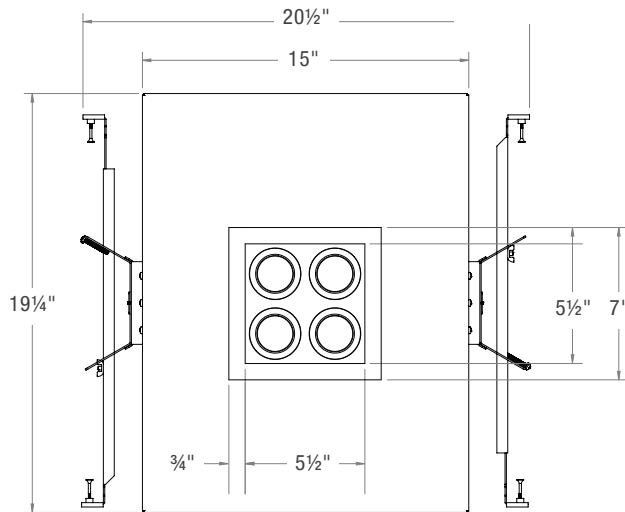
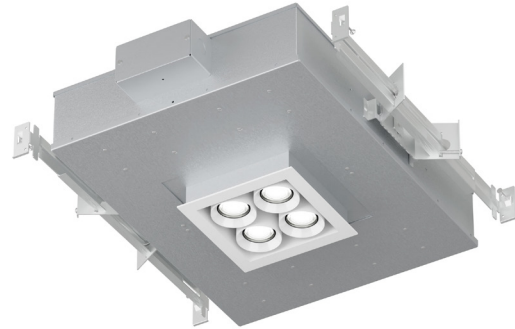
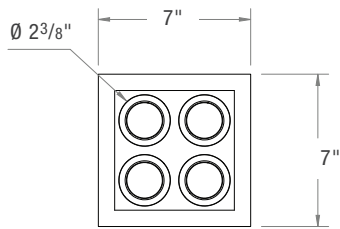
NOTE: _____

SPEC-00281 GYROSHIFT-MULTIPLES, 2", V-1.3, UPDATED 10/14/2022

S2, S2F

LINE DRAWINGS

S2F-4SQL
2" - 4 Light Square
Recessed Downlight



CSL

GYROSHIFT MULTIPLES

GYROSHIFT MULTIPLES 2" ADJUSTABLE DOWNLIGHT

PROJECT: _____

TYPE: _____

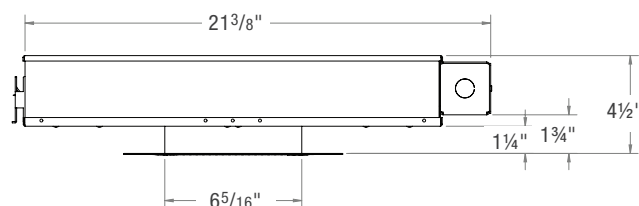
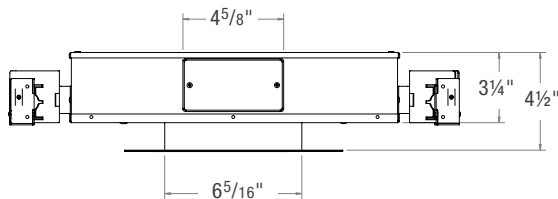
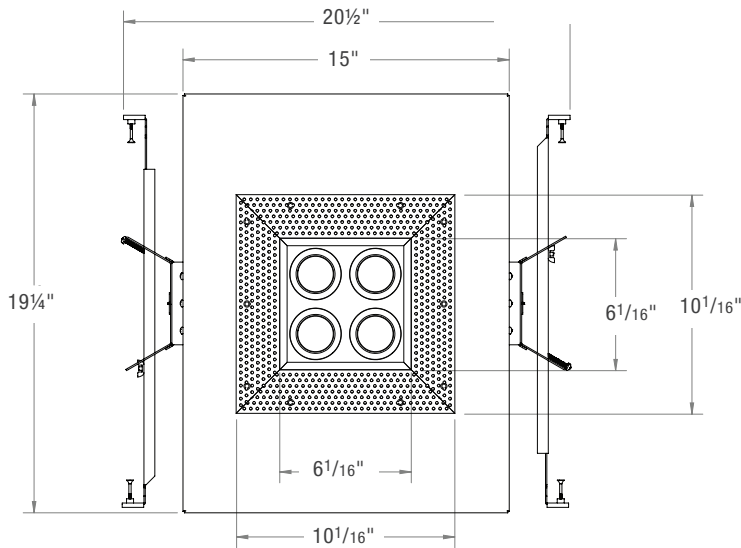
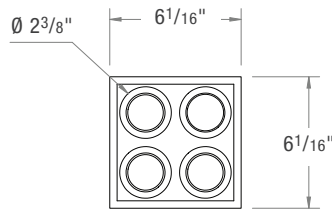
NOTE: _____

SPEC-00281 GYROSHIFT-MULTIPLES, 2", V-1.3, UPDATED 10/14/2022

S2, S2F

LINE DRAWINGS

S2F-4SQLTL
2" - 4 Light Square Trimless
Recessed Downlight



STANDARD FINISHES



ABL
Aegean Blue



BB
Burnished Bronze



BK
Gloss Black



BLU
Blue



DVG
Dove Gray



FLG
Flannel Gray



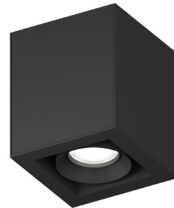
GA
Galvanized



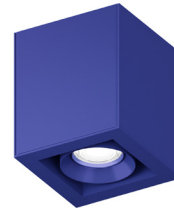
GWT
Gloss White



LG
Lime Green



MB
Matte Black



MBL
Midnight Blue



PNA
Painted Natural Aluminum



PNC
Painted Natural Copper



RD
Red



SGR
Sage Green



SND
Sand



SS
Satin Silver



TBZ
Textured Bronze



TGP
Textured Graphite



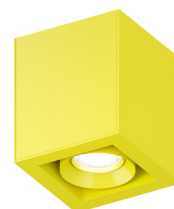
TNG
Tangerine



TTL
Tahitian Teal



WT
Semi Gloss White



YEL
Yellow

DIMMING DRIVER COMPATIBILITY

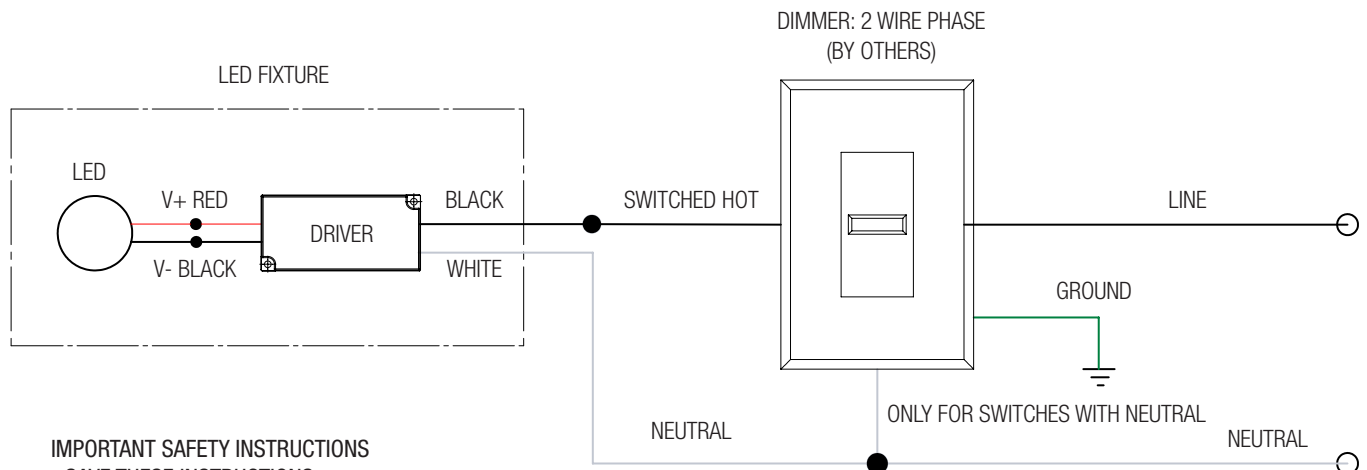
DIMMER LIST

"S" ERP PHASE-CUT DIMMERS			
Dimmer Information			
Manufacturer	Product	Manufacturer	Product
Cooper	DAL06P	Lightolier	ZP260QEW
	DLC03P	Lutron	CT103P
	SLC03P		DV600P
Leviton	6161		DVCL-153P
	6631-2		DVELV303P
	6633-P		FAELV500
	6673-10W		LG600P
	6683-IW		MAELV600
	IPE04		S600P
	IPI06-1LZ		S-603PG
	VPE06		SELV300P
			TG-600P
			TGCL-153P

NOTES:

Wiring diagrams are examples of typical installations intended to illustrate the number of wires that must be run to fixture. These diagrams are not intended to specify all equipment necessary for a given dimming circuit. Refer to specific dimmer manufacturer's documentation for details.

S- ERP DRIVER 2 WIRE PHASE DIMMING



**IMPORTANT SAFETY INSTRUCTIONS
- SAVE THESE INSTRUCTIONS**

1. Keep these instructions in a safe place for future reference.
2. Only qualified electricians in accordance to local codes should install these fixtures.
3. De-energize the electrical circuit at the circuit breaker prior to installation process or servicing.
4. Make sure all connections are in accordance with the National Electrical Code and any local regulations.
5. Cap any wires not used separately (not together).

DIMMING DRIVER COMPATIBILITY

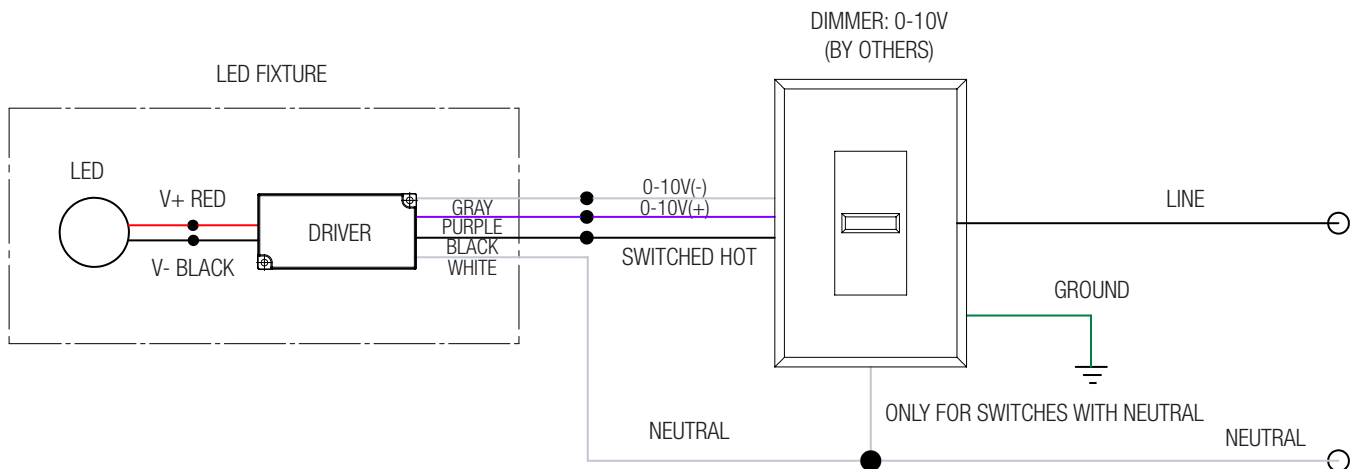
DIMMER LIST

"S" ERP 0-10V	
Dimmer Information	
Manufacturer	Product
Leviton	IP740-DLZ
Lightolier	ZP600FAM120
	V2000FAMU
Lutron	DVTV
	NTFTV
Crestron	CLS-EXP-DIMFLV
	DIN-4DIMFLV4
	DIN-A08
	GLX-DIMFLV8

NOTES:

Wiring diagrams are examples of typical installations intended to illustrate the number of wires that must be run to fixture. These diagrams are not intended to specify all equipment necessary for a given dimming circuit. Refer to specific dimmer manufacturer's documentation for details.

S- ERP DRIVER 0-10V DIMMING



IMPORTANT SAFETY INSTRUCTIONS

- SAVE THESE INSTRUCTIONS

1. Keep these instructions in a safe place for future reference.
2. Only qualified electricians in accordance to local codes should install these fixtures.
3. De-energize the electrical circuit at the circuit breaker prior to installation process or servicing.
4. Make sure all connections are in accordance with the National Electrical Code and any local regulations.
5. Cap any wires not used separately (not together).

DIMMING DRIVER COMPATIBILITY

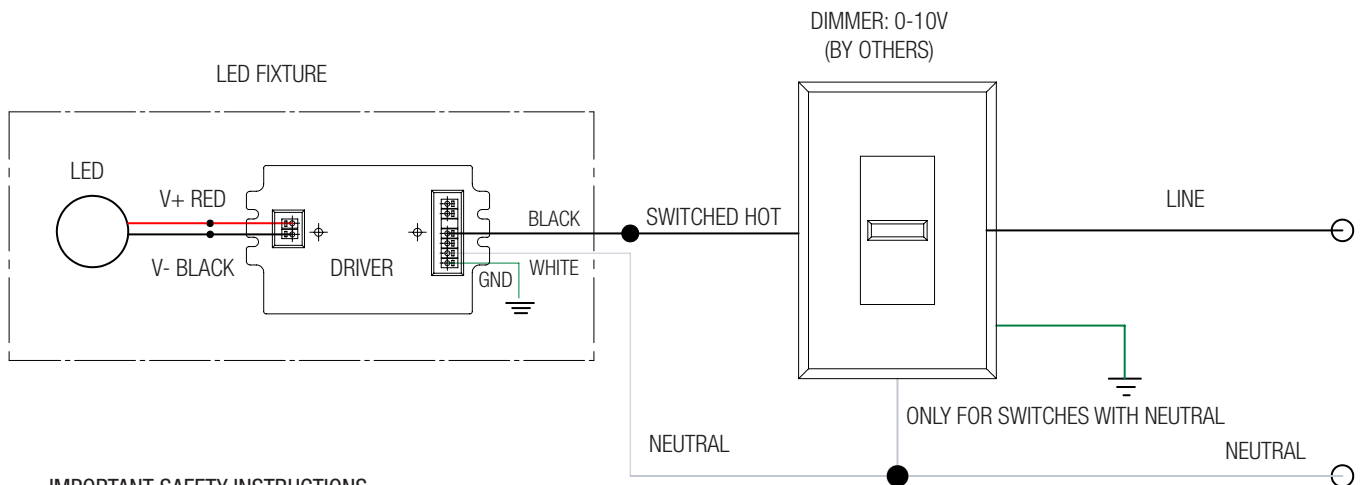
DIMMER LIST

"L1" Lutron Hi-lume 2-Wire	
Dimmer Information	
Manufacturer	Product
Leviton	IPE04
	IPI06-1LZ
	6633-P
Lutron	DVELV300P
	DVCL-153P
	S600P
Cooper	DAL06P
	DLC03P
	SLC03P

NOTES:

Wiring diagrams are examples of typical installations intended to illustrate the number of wires that must be run to fixture. These diagrams are not intended to specify all equipment necessary for a given dimming circuit. Refer to specific dimmer manufacturer's documentation for details.

L1- LUTRON DRIVER 2-WIRE DIMMING



IMPORTANT SAFETY INSTRUCTIONS

- SAVE THESE INSTRUCTIONS

1. Keep these instructions in a safe place for future reference.
2. Only qualified electricians in accordance to local codes should install these fixtures.
3. De-energize the electrical circuit at the circuit breaker prior to installation process or servicing.
4. Make sure all connections are in accordance with the National Electrical Code and any local regulations.
5. Cap any wires not used separately (not together).

DIMMING DRIVER COMPATIBILITY

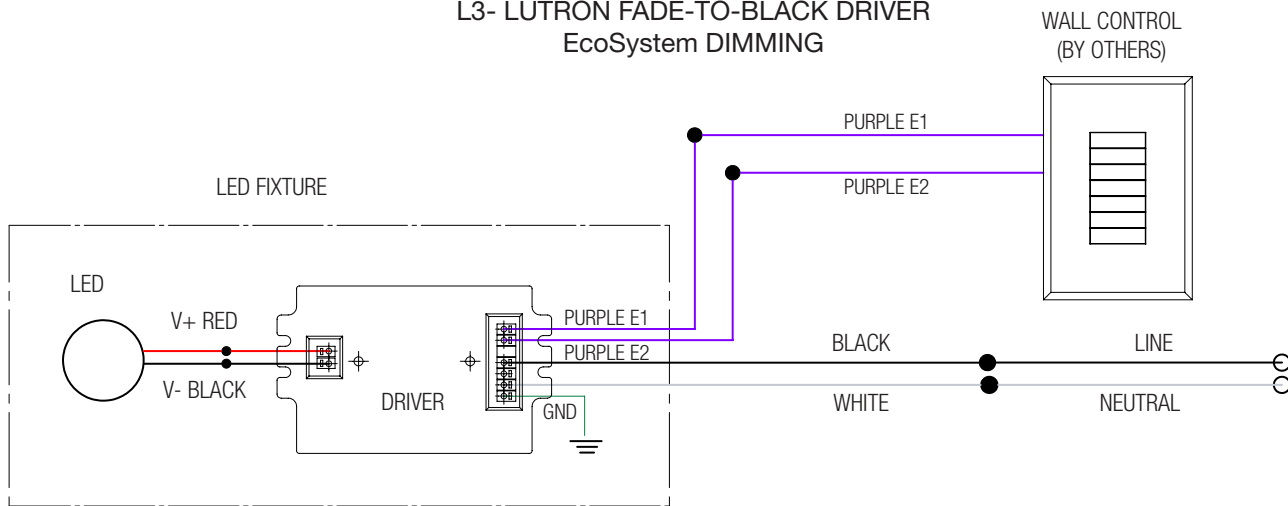
DIMMER LIST

"L3" Lutron Fade-to-Black	
Dimmer Information	
Manufacturer	Product
Lutron	LQSE-2ECO-D
	RMJ-ECO32-DV-B
	FCJ/FCJS-ECO
	QSN-1ECO-S
	QSN-2ECO-S
	EcoSystem ESN
	Grafik Eye QS with EcoSystem
	Quantum

NOTES:

Wiring diagrams are examples of typical installations intended to illustrate the number of wires that must be run to fixture. These diagrams are not intended to specify all equipment necessary for a given dimming circuit. Refer to specific dimmer manufacturer's documentation for details.

L3- LUTRON FADE-TO-BLACK DRIVER EcoSystem DIMMING



IMPORTANT SAFETY INSTRUCTIONS

- SAVE THESE INSTRUCTIONS

1. Keep these instructions in a safe place for future reference.
2. Only qualified electricians in accordance to local codes should install these fixtures.
3. De-energize the electrical circuit at the circuit breaker prior to installation process or servicing.
4. Make sure all connections are in accordance with the National Electrical Code and any local regulations.
5. Cap any wires not used separately (not together).

DIMMING DRIVER COMPATIBILITY

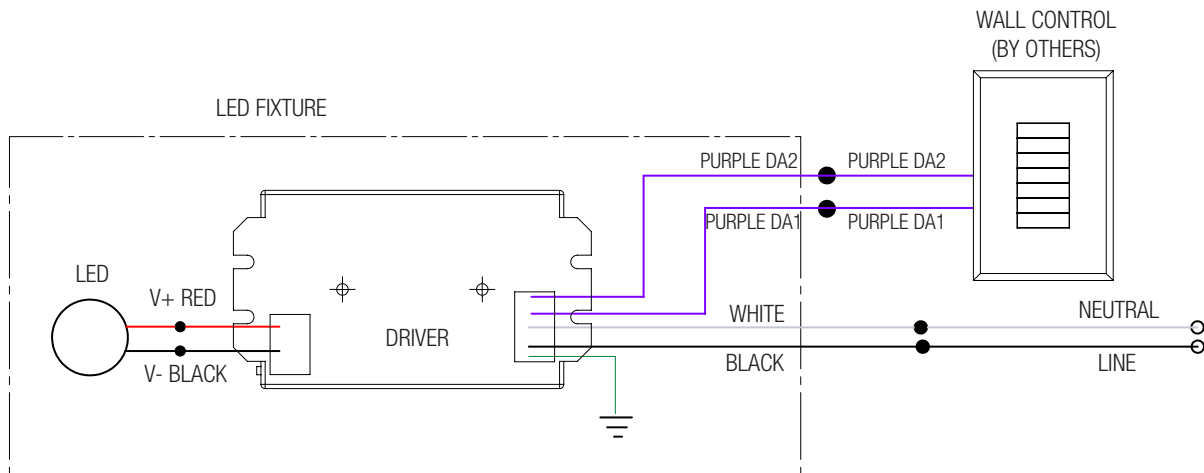
DIMMER LIST

"EL1" eldoLED DALI 1%	
Dimmer Information	
Manufacturer	Product
	DALI Controls

NOTES:

Wiring diagrams are examples of typical installations intended to illustrate the number of wires that must be run to fixture. These diagrams are not intended to specify all equipment necessary for a given dimming circuit. Refer to specific dimmer manufacturer's documentation for details.

EL1- eldoLED DRIVER DALI DIMMING



IMPORTANT SAFETY INSTRUCTIONS

- SAVE THESE INSTRUCTIONS

1. Keep these instructions in a safe place for future reference.
2. Only qualified electricians in accordance to local codes should install these fixtures.
3. De-energize the electrical circuit at the circuit breaker prior to installation process or servicing.
4. Make sure all connections are in accordance with the National Electrical Code and any local regulations.
5. Cap any wires not used separately (not together).

DIMMING DRIVER COMPATIBILITY

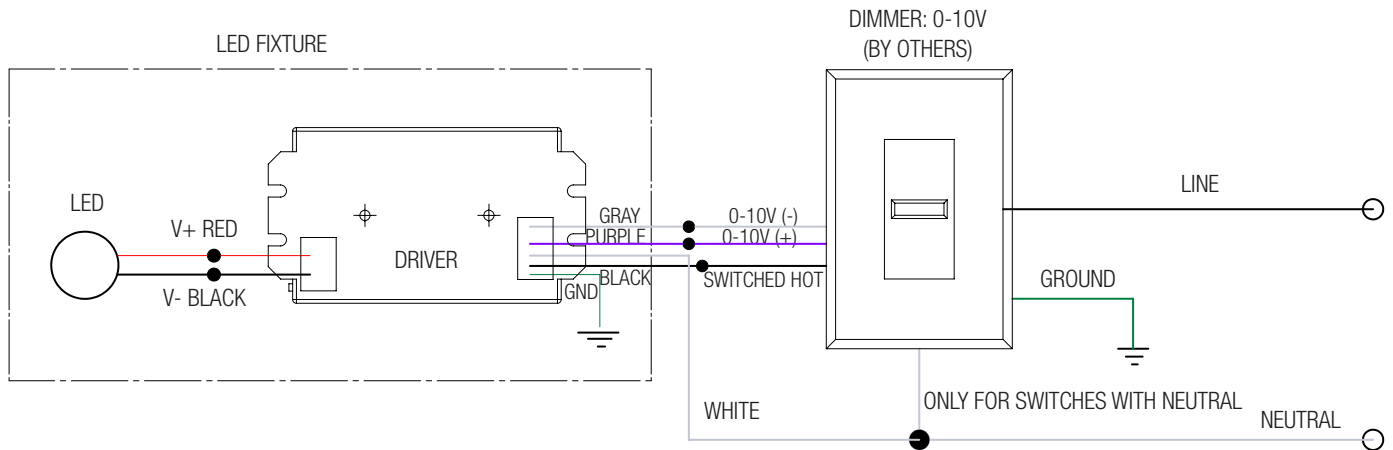
DIMMER LIST

"EL2"eldoLED 0-10V 1%	
Dimmer Information	
Manufacturer	Product
Leviton	IP740-DLX
Lightolier	ZP600FAM120
Lutron	DVTV
	NTFTV
	NFTV
Crestron	CLS-EXP-DIMFLV
	DIN-4DIMFLV4
	DIN-A08
	GLX-DIMFLV8

NOTES:

Wiring diagrams are examples of typical installations intended to illustrate the number of wires that must be run to fixture. These diagrams are not intended to specify all equipment necessary for a given dimming circuit. Refer to specific dimmer manufacturer's documentation for details.

EL2- eldoLED DRIVER 0-10V DIMMING



IMPORTANT SAFETY INSTRUCTIONS

- SAVE THESE INSTRUCTIONS

1. Keep these instructions in a safe place for future reference.
2. Only qualified electricians in accordance to local codes should install these fixtures.
3. De-energize the electrical circuit at the circuit breaker prior to installation process or servicing.
4. Make sure all connections are in accordance with the National Electrical Code and any local regulations.
5. Cap any wires not used separately (not together).