

Project: _____
 Type: _____
 Note: _____

ACROBAT 3" LED DOWNLIGHT



SILENT VU™ OPTICS TECHNOLOGY	
OPTICS	10°, 30°, 50°, 80° Field Changeable
ADJUSTABLE	0° to 40° tilt (Adjustable housings only)
MEDIA	Clear, Solite, Frosted, Linear Spread, Hex Louver

POWER SUPPLY	
INPUT VOLTAGE	120-277V, 50/60Hz
DIMMING	Multiple dimming drivers available
SERVICABILITY	Below ceiling access

LED LIGHT ENGINE	
RATED WATTAGES	10W, 15W, 20W, 25W
DELIVERED LUMENS	Up to 2305 lm @4000K-20W-30° Optic
EFFICACY	Up to 100.2 LPW @4000K-10W-30° Optic
CCT @ 90CRI	2700K, 3000K, 3500K, 4000K, Warm Dim
COLOR QUALITY	90+ CRI, 2-Step SDCM
LED LIFETIME	55,000 hours @ L90

TRIM OPTIONS

- Fixed or Adjustable
- Round or Square
- Standard or Trimless
- Pinhole, Slot Pinhole
- Wet Location
- Wall Wash
- Emergency Battery

TRIM COLORS

- White
- Black
- Champagne
- Satin Aluminum
- Custom Color

REFLECTOR COLORS

- White
- Black
- Champagne
- Satin Aluminum
- Custom Color
- Clear Alzak

DELIVERED LUMENS MATRIX					
		10° OPTIC	30° OPTIC	50° OPTIC	80° OPTIC
10 Watt	2700K (90CRI)	861 lm	949 lm	859 lm	726 lm
	3000K (90CRI)	914 lm	1007 lm	912 lm	770 lm
	3500K (90CRI)	958 lm	1055 lm	956 lm	808 lm
	4000K (90CRI)	994 lm	1094 lm	992 lm	838 lm
	Warm Dim (98CRI)	556 lm	685 lm	619 lm	468 lm
15 Watt	2700K (90CRI)	1275 lm	1404 lm	1272 lm	1074 lm
	3000K (90CRI)	1353 lm	1490 lm	1350 lm	1140 lm
	3500K (90CRI)	1418 lm	1562 lm	1415 lm	1195 lm
	4000K (90CRI)	1471 lm	1620 lm	1467 lm	1240 lm
	Warm Dim (98CRI)	854 lm	1051 lm	950 lm	718 lm
20 Watt	2700K (90CRI)	1534 lm	1689 lm	1530 lm	1293 lm
	3000K (90CRI)	1628 lm	1793 lm	1624 lm	1372 lm
	3500K (90CRI)	1706 lm	1879 lm	1702 lm	1438 lm
	4000K (90CRI)	1770 lm	1949 lm	1766 lm	1491 lm
	Warm Dim (98CRI)	1039 lm	1279 lm	1156 lm	874 lm
25 Watt	2700K (90CRI)	1814 lm	1998 lm	1810 lm	1529 lm
	3000K (90CRI)	1925 lm	2120 lm	1921 lm	1623 lm
	3500K (90CRI)	2018 lm	2223 lm	2014 lm	1701 lm
	4000K (90CRI)	2093 lm	2305 lm	2088 lm	1764 lm
	Warm Dim (98CRI)	1230 lm	1515 lm	1369 lm	1035 lm

HOUSING

- New Construction includes (2) galvanized steel adjustable hanger bars
- Remodel option available
- 5/8"-2" ceiling thickness
- Min Plenum Height: 2 1/2" Shallow, 5 1/2" Adjustable
- Ceiling Material: Drywall, T-bar grid, Premium Acoustic Tile
 Note: ACT option adds a collar that allows use with low rigidity Premium Acoustic Tile ceilings.
- Steel junction box with up to (6) 1/2" knockouts
- IC, SIC models are Air Tight.
- IC, SIC models are CCEA (Chicago Plenum) compliant.
 (Note: polycell spray-in foam insulation must be kept 3" from housing)

LISTING/WARRANTY

- cULus Listed for 40°C Ambient
- IC Rated and Non IC Rated Available
- CCEA Approved for IC Rated Housings
- Five (5) years limited warranty
- UL Listed for Damp Location (All Styles)
- UL Listed for Wet Location (Wet Location Trim Style)
- CA Title 24-JA8 Compliant
- ASTM E283 Certified Airtight for IC Rated Housings



Project: _____

Type: _____

Note: _____

ACROBAT 3" LED DOWNLIGHT

ORDER MATRIX

A3-IC, A3-NC, A3-RM

3" NEW CONSTRUCTION/REMODEL HOUSING (Example: A3-IC-RST-10S-SHB)

HOUSING BASE			
FAMILY APERTURE	INSTALLATION TYPE	TRIM SHAPE	TRIM STYLE
A3- Acrobat 3"	IC⁶ Adjustable New Construction, IC, CCEA	-R Round	ST Standard
	NC⁶ Adjustable New Construction	-S Square	TL Trimless
	RM Adjustable Remodel		WC Trimless Wood Ceiling
			ACT⁶ (Premium) Acoustic Tile
DRIVER ASSEMBLY			
WATTAGE	LED DIMMING DRIVER	HANGER BAR	WARM DIM
-10 10 Watt	S³ Universal Dim Driver: 1%-100% 0-10V, TRIAC, ELV, 120V/277V	-SHB Standard	(blank) Standard
-15 15 Watt	L3² Lutron Hi-Lume® Dim Driver: 1%-100% EcoSystem, 120V/277V	-C24 24" C-Channel	-WD⁴ Warm Dim
-20⁵ 20 Watt	EL1 EldoLED DALI Dim: 1%-100% DALI, 120V/277V	-C48 48" C-Channel	
-25^{4,5} 25 Watt	EL2 EldoLED Dim: 1%-100% 0-10V, 120V/277V		
	DMX DMX Dim: 1%-100% DMX, 120V/277V		
	EM^{5,7} Standard, Universal Dim, Triac/ELV/0-10V 1% 120/277 w/Integral 7 Watt EM Battery Pack		
	REMOTE LED DIMMING DRIVER	Hanger bars not included with RM housings	
	SR1³ Remote Universal Dim: 1%-100% 0-10V, TRIAC, or ELV, 120V/277V		

1. 25W option only available for NC (Adjustable New Construction), RM (Adjustable Remodel), SNC (Shallow New Construction) housings.
2. Ambient temperature rated for 25° C.
3. TRIAC, ELV dimming for 120V only.

4. WD CCT must also be selected in Module section.
5. Uses Emergency Battery Pack (7W for 90 minutes) with Standard Driver. Must select EM Reflector option. IC not available for 20/25W. NC not available for 25W. Above ceiling access required for TL/WC options. Not for RM options.

6. For use with Premium low rigidity Acoustic Tile ceilings. Only offered with ST Trim Style. Only applicable for IC or NC Installation Types.
7. Ambient temperature rated for 25° C when used with IC (Adjustable New Construction, IC, CCEA) housings.

3" NEW CONSTRUCTION/REMODEL TRIM (Example: A3-2790-RSTWT-STWTNL-30)

FAMILY APERTURE	LED PERFORMANCE		TRIM		
	CCT	CRI	TRIM SHAPE	TRIM STYLE	TRIM FINISH
A3- Acrobat 3"	-27 2700K	90 90 CRI	-R Round	ST Standard	TL⁷ Trimless
	-30 3000K		-S Square	TL Trimless	WT White
	-35 3500K		WC Trimless Wood Ceiling	BK Black	
	-40 4000K		ACT (Premium) Acoustic Tile	CN Champagne	
	-WD⁶ 1800K-3000K			SA Satin Aluminum	
			CC¹ Custom Color		

REFLECTOR			OPTIC AND MEDIA		
REFLECTOR STYLE	REFLECTOR FINISH	REFLECTOR LENS	OPTIC	MEDIA 1	MEDIA 2
-ST² Standard	WT White	NL⁹ No Lens	-10 10° Spot	(blank) None	(blank) None
-PH² Pinhole	BK Black	CL⁸ Clear	-30 30° Narrow Flood	CL⁸ Clear Lens	CL⁸ Clear Lens
-SP² Slot Pinhole	CA^{4,9} Clear Alzak	MP⁸ Solite	-50 50° Flood	MP⁸ Solite Lens	MP⁸ Solite Lens
-SW⁸ Wall Wash	CN Champagne	FR⁸ Frosted	-80 80° Wide Flood	FR⁸ Frosted Lens	FR⁸ Frosted Lens
-AL^{2,3} Adjustable Lensed	SA Satin Aluminum			LS⁸ Linear Spread Lens	LS⁸ Linear Spread Lens
-EM⁹ Emergency Battery Pack	CC¹ Custom Color			HX^{5,8} Hex Louver	

1. Custom Color only available for ST (Standard) Trim and ST (Standard), AL (Adjustable Lensed), and EM (Emergency Battery Pack) Reflectors only. Contact CSL for details.

2. Wet Location rated when used with Reflector Lens.
3. Must be ordered with corresponding Reflector Lens.

4. CA (Clear Alzak) Finish only available for R (Round) reflectors as ST (Standard) or AL (Adjustable Lens) styles.

5. Cannot be used with a second Media.
6. Media 1 lens required. For WD with 10°, 30°, 50° Optic use MP (Solite Lens). For WD with 80° Optic use FR (Frosted Lens).

7. Must be used with TL or WC trim style

8. Reflector and Media Lenses cannot be added with Wall Wash selection.

9. EM adds test switch to Standard Trim. Not available with CA color option. Available for NL Reflector Lens option only.

Project: _____

Type: _____

Note: _____

ACROBAT 3" LED DOWNLIGHT

ORDER MATRIX

A3-SIC, A3-SNC

3" SHALLOW PLENUM NEW CONSTRUCTION HOUSING (Example: A3-SIC-RST-02790-30-10S-SHB)

HOUSING BASE							
FAMILY APERTURE	INSTALLATION TYPE		TRIM SHAPE		TRIM STYLE		
A3- Acrobat 3"	SIC	Shallow Plenum New Construction, IC, CCEA	-R	Round	ST	Standard	
	SNC	Shallow Plenum New Construction	-S	Square	TL	Trimless	
					WC	Trimless Wood Ceiling	
CEILING	LED PERFORMANCE			OPTIC AND MEDIA			
CEILING THICKNESS	CCT	CRI	OPTIC		MEDIA 1	MEDIA 2	
-0 ½" Ceiling Thickness	27 2700K	90 90 CRI	-10	10° Spot	(blank) None	(blank) None	
-1 1¼" Ceiling Thickness	30 3000K		-30	30° Narrow Flood	CL ⁵	CL ⁶	
-2 2" Ceiling Thickness	35 3500K		-50	50° Flood	MP ⁶	MP ⁶	
	40 4000K		-80	80° Wide Flood	FR ⁶	FR ⁶	
	WD ³ 1800K-3000K				LS ⁶	LS ⁶	
					HX ^{1,6}	Hex Louver	
DRIVER ASSEMBLY							
WATTAGE	LED DIMMING DRIVER				HANGER BAR		
-10 10 Watt	S ⁵	Universal Dim Driver: 1%-100% 0-10V, TRIAC, ELV, 120V/277V				-SHB	Standard
-15 15 Watt	L3 ⁴	Lutron Hi-Lume® Dim Driver: 1%-100% EcoSystem, 120V/277V				-C24	24" C-Channel
-20 20 Watt	EL1	EldoLED DALI Dim: 1%-100% DALI, 120V/277V				-C48	48" C-Channel
-25 ² 25 Watt	EL2	EldoLED Dim: 1%-100% 0-10V, 120V/277V					
	DMX	DMX Dim: 1%-100% DMX, 120V/277V					
	REMOTE LED DIMMING DRIVER						
	SR1 ⁵	Remote Universal Dim: 1%-100% 0-10V, TRIAC, or ELV, 120V/277V					

1. Cannot be used with a second media.

2. 25W option is only available for SNC configurations.

3. Media 1 lens required. For WD with 10°, 30°, 50° Optic use MP (Solite Lens). For WD with 80° Optic use FR (Frosted Lens).

4. Ambient temperature rated for 25° C.

5. TRIAC, ELV dimming for 120V only.

6. Media Lens not available with Wall Wash selection.

3" SHALLOW PLENUM NEW CONSTRUCTION TRIM (Example: A3-RSTWT-STWT-NL)

TRIM				REFLECTOR							
FAMILY APERTURE	TRIM SHAPE	TRIM STYLE	TRIM FINISH	REFLECTOR STYLE	REFLECTOR FINISH	REFLECTOR LENS					
A3- Acrobat 3"	R	Round	ST ⁴	Standard	-ST ²	Standard	WT	White	-NL	No Lens	
	S	Square	TL	Trimless	-PH ²	Pinhole	BK	Black	-CL ⁵	Clear	
		WC	Trimless Wood Ceiling	BK	Black	-SP ²	Slot Pinhole	CA ³	Clear Alzak	-MP ⁵	Solite
			CN	Champagne	-SW ⁵	Wall Wash	CN	Champagne	-FR ⁵	Frosted	
			SA	Satin Aluminum			SA	Satin Aluminum			
			CC ¹	Custom Color			CC ¹	Custom Color			

1. Custom Color only available for ST (Standard) Trim and ST (Standard), AL (Adjustable Lensed), and EM (Emergency Battery Pack) Reflectors only. Contact CSL for details.

2. Wet Location rated when used with Reflector Lens.

3. CA (Clear Alzak) Finish only available for Round reflectors as ST (Standard) or AL (Adjustable Lens) styles.

4. Must be used with TL or WC trim style.

5. Reflector and Media Lenses cannot be added with Wall Wash selection.

REMOTE EMERGENCY OPTIONS

EM-1000 25W Remote Inverter

EM-1003-CA 35W Remote Inverter - Title 20

EM-1006 25W Remote Inverter - Title 20

EM-1002 10W Remote Emergency Driver - Title 20

EM-1004 50W Remote Inverter

Project: _____
 Type: _____
 Note: _____

ACROBAT 3" LED DOWNLIGHT

HOUSING AND LIGHT ENGINE LINE DRAWINGS

A3-IC

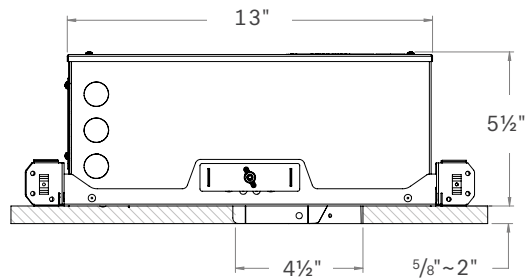
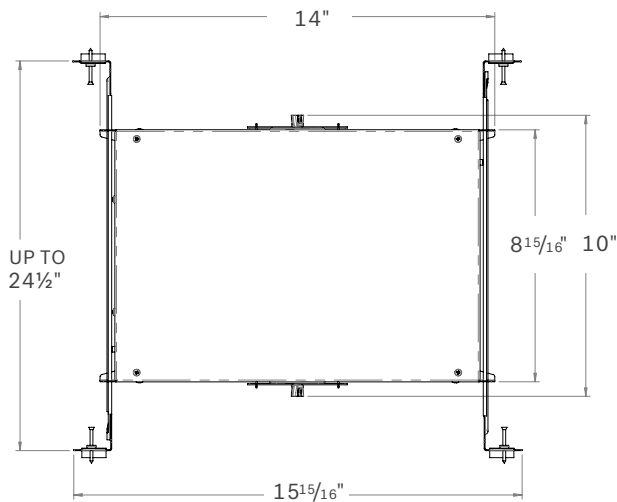
New Construction IC Housing



A3-IC-R
 Acrobat 3" - Adjustable New Construction IC Housing
 Round with Round Trim



A3-IC-S
 Acrobat 3" - Adjustable New Construction IC Housing
 Square with Square Trim



Project: _____
 Type: _____
 Note: _____

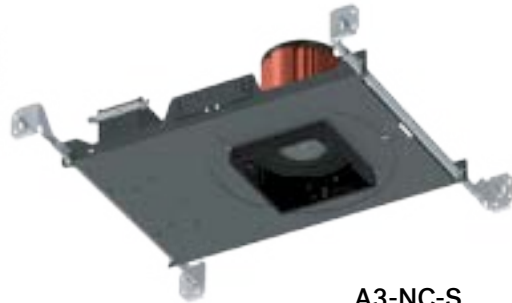
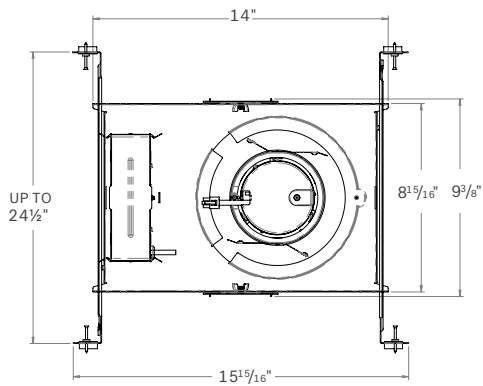
ACROBAT 3" LED DOWNLIGHT

HOUSING AND LIGHT ENGINE LINE DRAWINGS

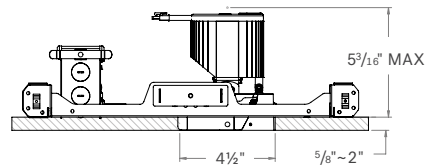
A3-NC
New Construction Housing



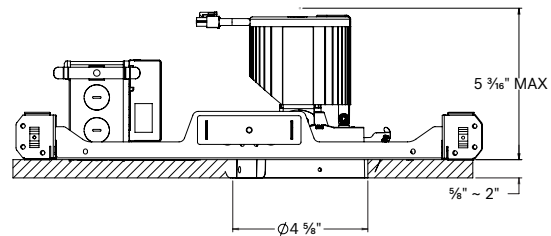
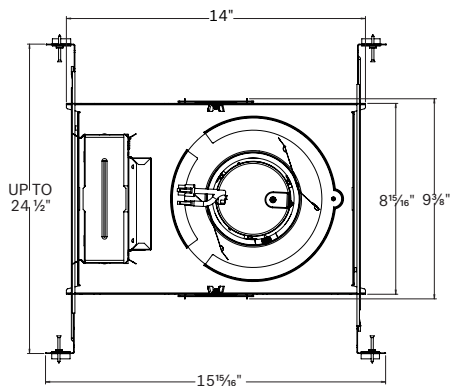
A3-NC-R
Acrobat 3" - Adjustable New Construction Housing
Round with Round Trim



A3-NC-S
Acrobat 3" - Adjustable New Construction Housing
Square with Square Trim



A3-NC-EM



Project: _____
 Type: _____
 Note: _____

ACROBAT 3" LED DOWNLIGHT

HOUSING AND LIGHT ENGINE LINE DRAWINGS

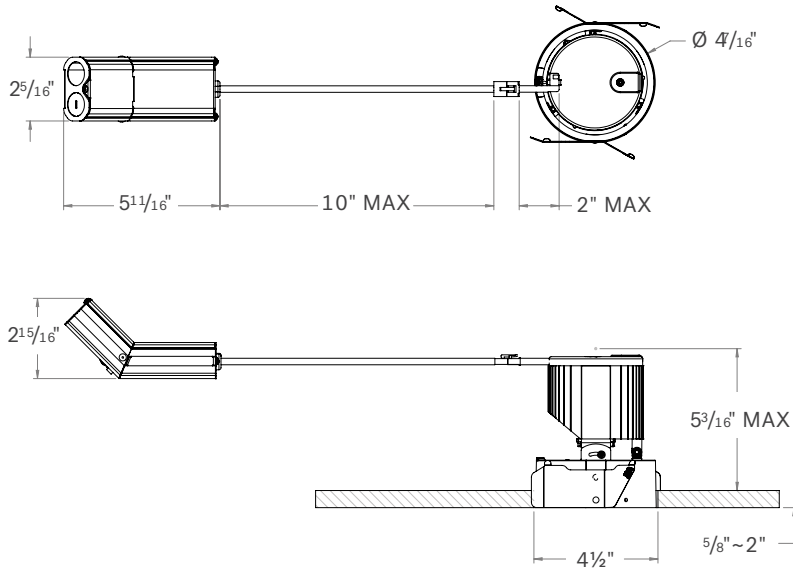
A3-RM
Remodel Housing



A3-RM-R
Acrobat 3" - Adjustable Remodel Housing
Round with Round Trim



A3-RM-S
Acrobat 3" - Adjustable Remodel Housing
Square with Square Trim



Project: _____
 Type: _____
 Note: _____

ACROBAT 3" LED DOWNLIGHT

HOUSING AND LIGHT ENGINE LINE DRAWINGS

A3-SIC, A3-SNC
 Shallow Plenum Housing

CEILING THICKNESS



A3-SIC-R

Acrobat 3" - Shallow Plenum New Construction IC Housing Round



A3-SIC-S

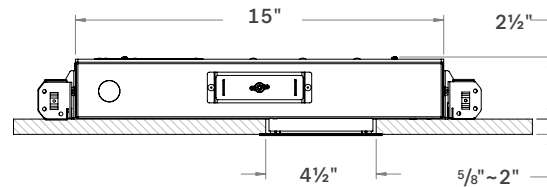
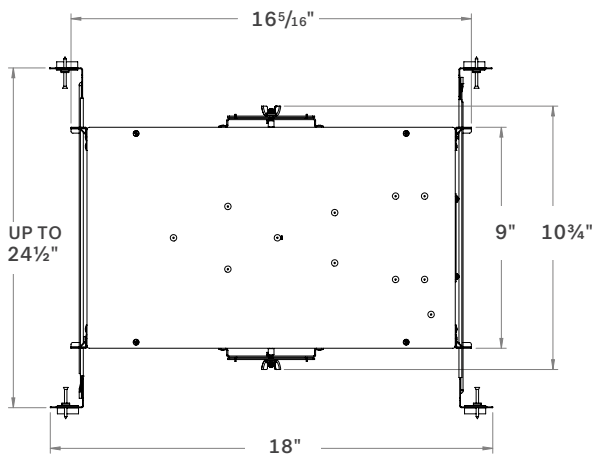
Acrobat 3" - Shallow Plenum New Construction IC Housing Square

A3-SNC-R

Acrobat 3" - Shallow Plenum New Construction Housing Round

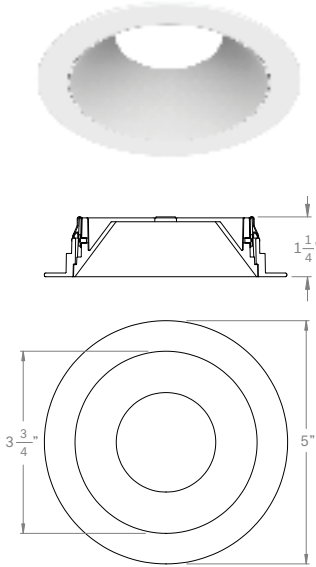
A3-SNC-S

Acrobat 3" - Shallow Plenum New Construction Housing Square

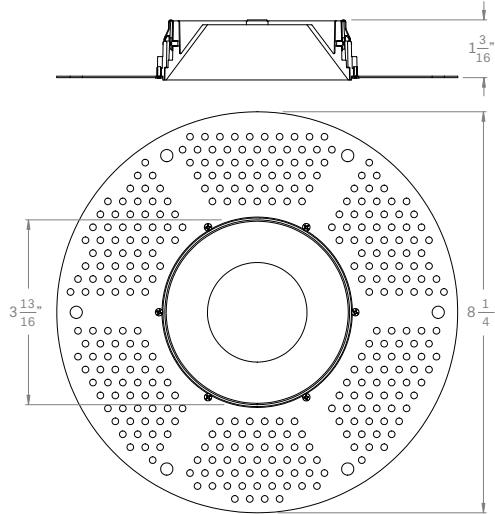


ACROBAT 3" LED DOWNLIGHT

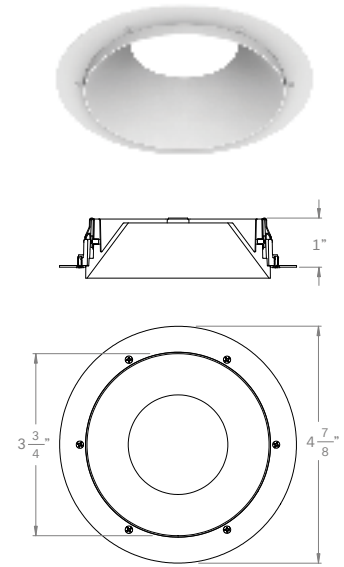
TRIM STYLES



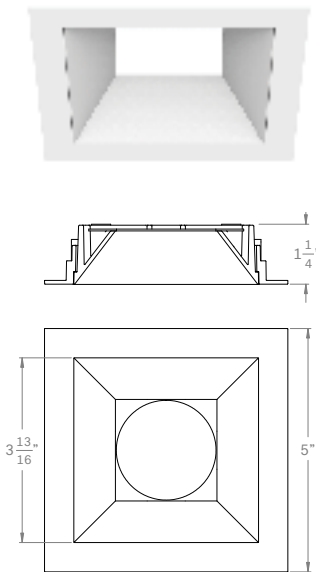
RST
3" Acrobat Round Standard Trim
(with Standard Reflector)



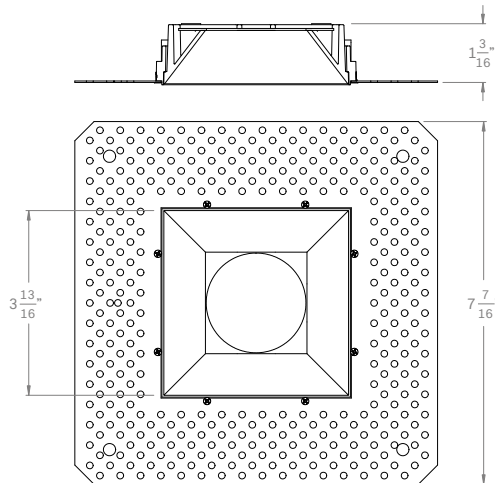
RTL
3" Acrobat Round Trimless Mud Plate
(with Standard Reflector)



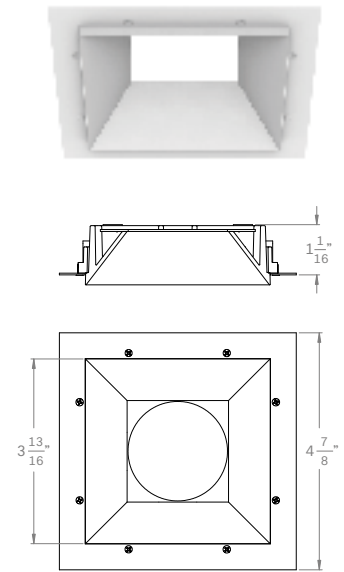
RWC
3" Acrobat Round Wood Ceiling Trim
(with Standard Reflector)



SST
3" Acrobat Square Standard Trim
(with Standard Reflector)



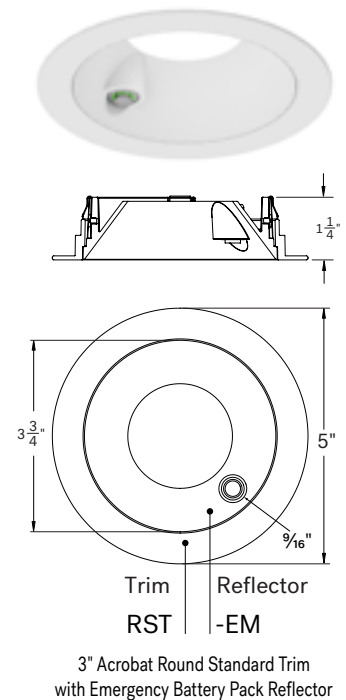
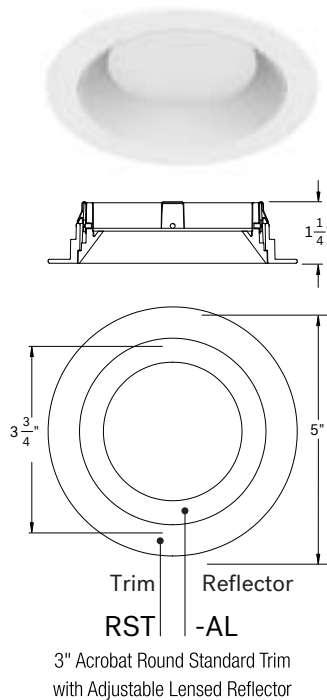
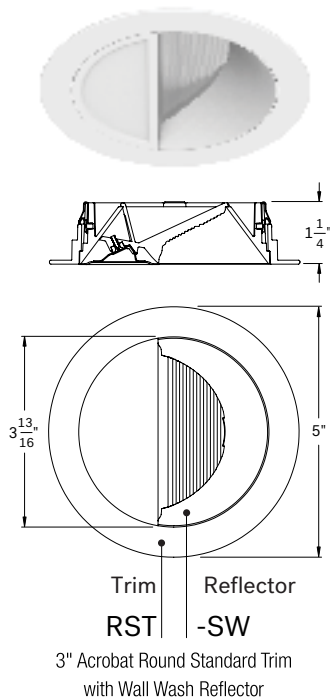
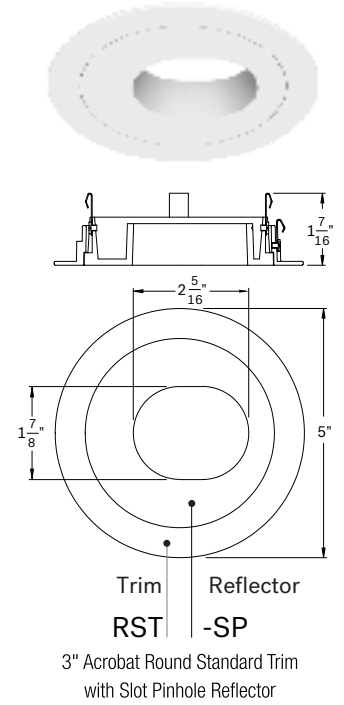
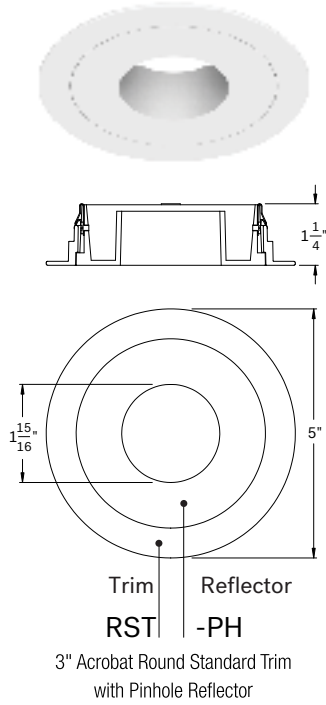
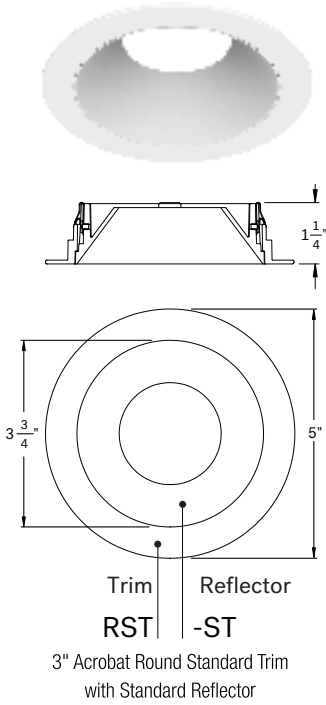
STL
3" Acrobat Square Trimless Mud Plate
(with Standard Reflector)



SWC
3" Acrobat Square Wood Ceiling Trim
(with Standard Reflector)

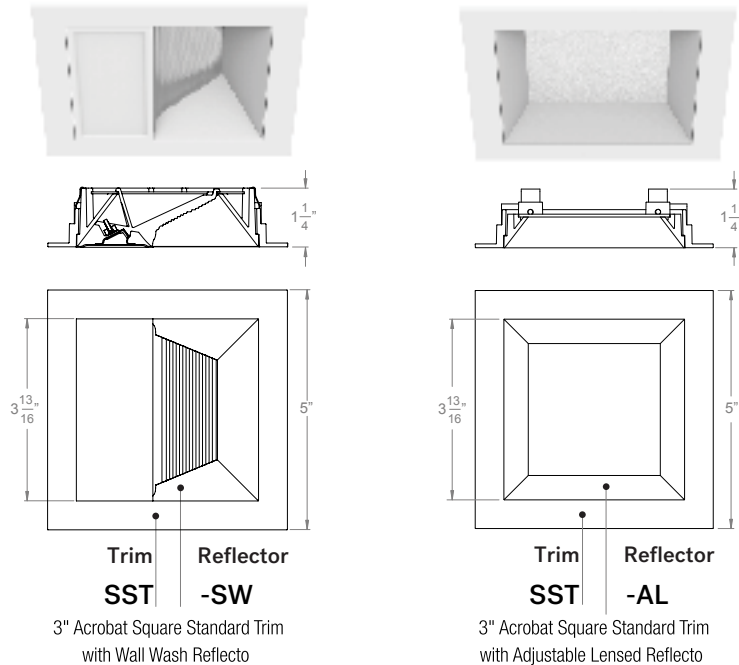
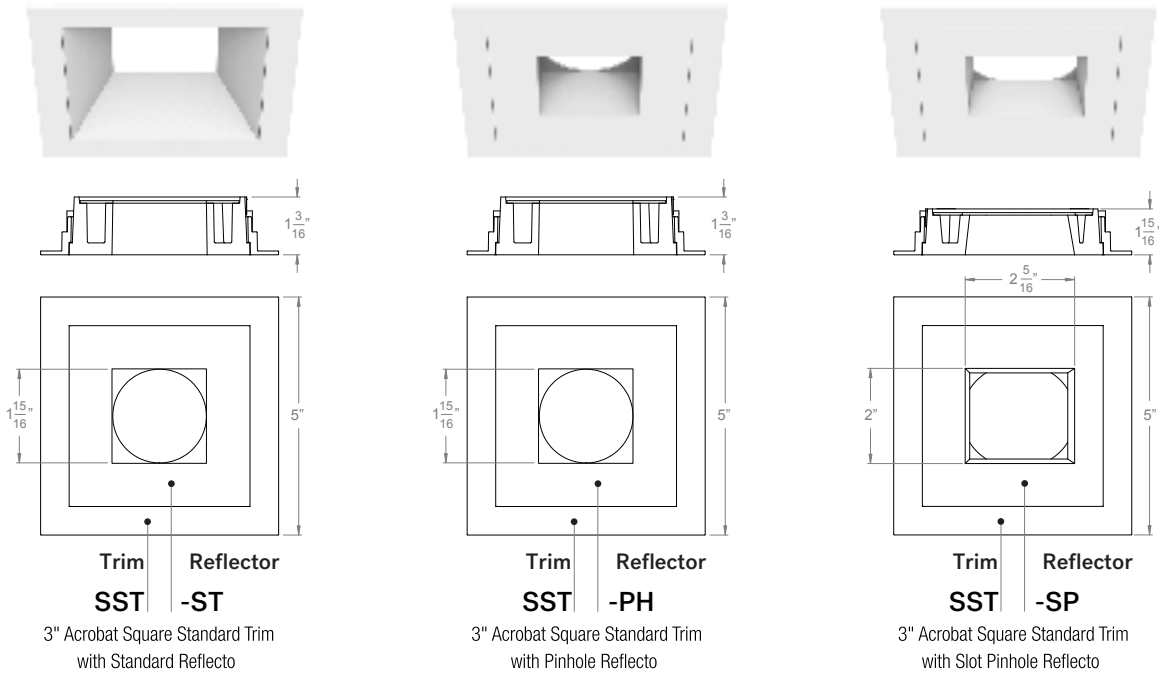
ACROBAT 3" LED DOWNLIGHT

REFLECTOR STYLE (ROUND)



ACROBAT 3" LED DOWNLIGHT

REFLECTOR STYLE (SQUARE)



Project: _____
 Type: _____
 Note: _____

ACROBAT 3" LED DOWNLIGHT

TRIM FINISHES



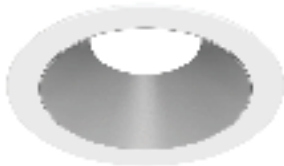
RSTWT-STWT
 WT White Trim
 WT White Reflector



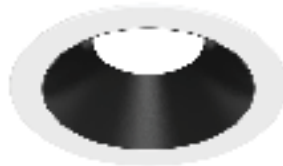
RSTBK-STBK
 BK Black Trim
 BK Black Reflector



RSTCN-STCN
 CN Champagne Trim
 CN Champagne Reflector



RSTWT-STSA
 WT White Trim
 SA Satin Aluminum



RSTWT-STBK
 WT White Trim
 BK Black Reflector



RSTWT-STCN
 WT White Trim
 CN Champagne Reflector



SSTWT-STWT
 WT White Trim
 WT White Reflector



SSTBK-STBK
 BK Black Trim
 BK Black Reflector



SSTCN-STCN
 CN Champagne Trim
 CN Champagne Reflector



SSTWT-STSA
 WT White Trim
 SA Satin Aluminum



SSTWT-STBK
 WT White Trim
 BK Black Reflector



SSTWT-STCN
 WT White Trim
 CN Champagne Reflector

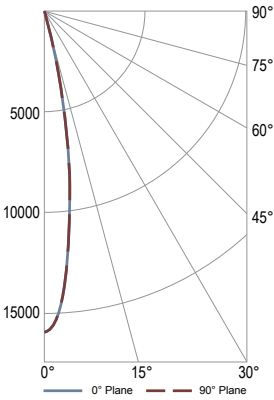
Project: _____
 Type: _____
 Note: _____

ACROBAT 3" LED DOWNLIGHT

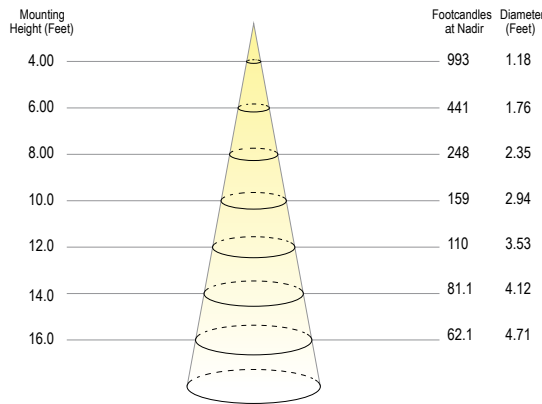
PHOTOMETRICS

Acrobat Downlight 3" NC, RM Models (2700K, 90 CRI, 10° Optic, 25W) Round, Standard, White Trim

Polar Plot



Cone of Light Tabulation



VOLTAGE	CURRENT	POWER
120.1 VAC	0.2246 A	26.64W

POWER FACTOR	FREQUENCY	CURRENT THD
0.988	60 Hz	12.6%

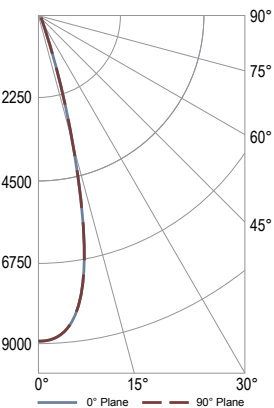
Summary of Results

Spacing Criteria	Total Lumen Output:	1814 Lumens
0-180: 0.29	Luminaire Efficacy:	68.1 lm/w
90-270: 0.29	Maximum Candela:	15892 Candela

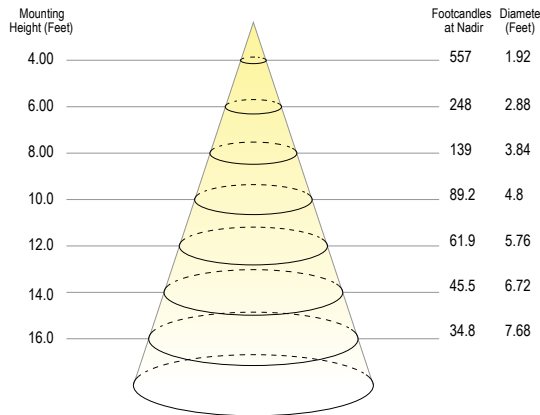
ZONE	LUMENS	% OF LUMINAIRE
0-40	1778	98%
0-60	1809	99.7%
0-90	1814	100%

Acrobat Downlight 3" NC, RM Models (2700K, 90 CRI, 30° Optic, 25W) Round, Standard, White Trim

Polar Plot



Cone of Light Tabulation



VOLTAGE	CURRENT	POWER
120.0 VAC	0.2249 A	26.68W

POWER FACTOR	FREQUENCY	CURRENT THD
0.988	60 Hz	12.7%

Summary of Results

Spacing Criteria	Total Lumen Output:	1998 Lumens
0-180: 0.48	Luminaire Efficacy:	74.8 lm/w
90-270: 0.48	Maximum Candela:	9192 Candela

ZONE	LUMENS	% OF LUMINAIRE
0-40	1972	98.7%
0-60	1996	99.95%
0-90	1998	100%

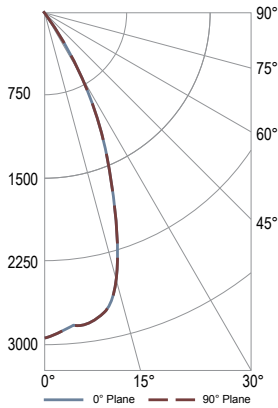
Project: _____
 Type: _____
 Note: _____

ACROBAT 3" LED DOWNLIGHT

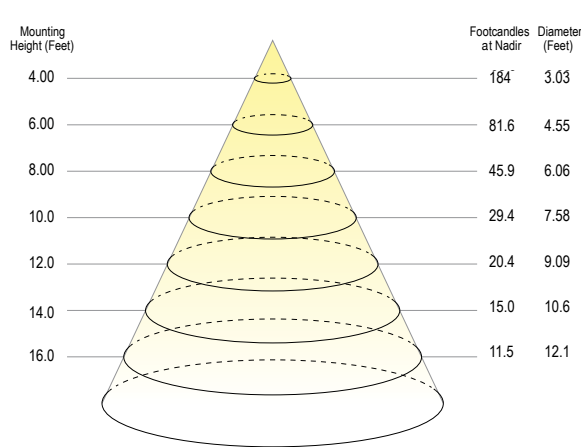
PHOTOMETRICS

Acrobat Downlight 3" NC, RM Models (2700K, 90 CRI, 50° Optic, 25W)
 Round, Standard, White Trim

Polar Plot



Cone of Light Tabulation



VOLTAGE	CURRENT	POWER
120.1 VAC	0.2224 A	26.4 W

POWER FACTOR	FREQUENCY	CURRENT THD
0.989	60 Hz	11.9%

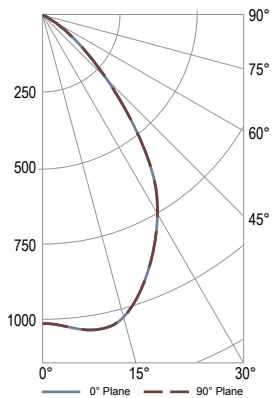
Summary of Results

Spacing Criteria	Total Lumen Output:	1810 Lumens
0-180: 0.76	Luminaire Efficacy:	68.6 lm/w
90-270: 0.76	Maximum Candela:	2939 Candela

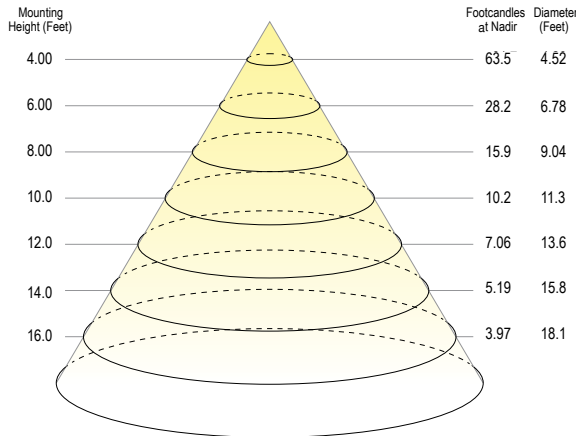
ZONE	LUMENS	% OF LUMINAIRE
0-40	1749	96.7%
0-60	1805	99.4%
0-90	1810	100%

Acrobat Downlight 3" NC, RM Models (2700K, 90 CRI, 80° Optic, 25W)
 Round, Standard, White Trim

Polar Plot



Cone of Light Tabulation



VOLTAGE	CURRENT	POWER
120.1 VAC	0.2225A	26.4W

POWER FACTOR	FREQUENCY	CURRENT THD
0.989	60 Hz	11.9%

Summary of Results

Spacing Criteria	Total Lumen Output:	1529 Lumens
0-180: 1.13	Luminaire Efficacy:	57.9 lm/w
90-270: 1.13	Maximum Candela:	1051 Candela

ZONE	LUMENS	% OF LUMINAIRE
0-40	1167	76.3%
0-60	1509	98.7%
0-90	1529	100%

Project: _____
 Type: _____
 Note: _____

ACROBAT 3" LED DOWNLIGHT

DIMMING DRIVER COMPATIBILITY

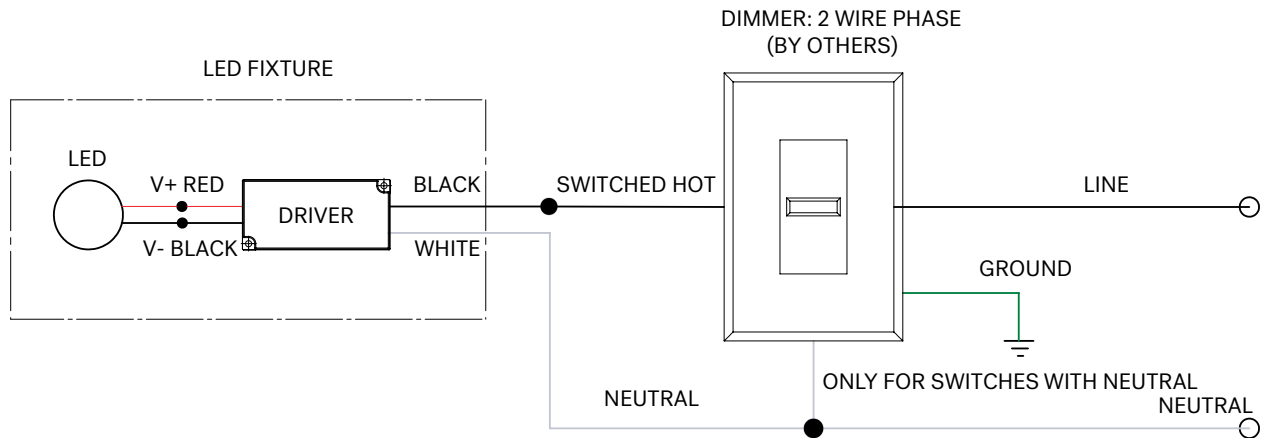
DIMMER LIST

"S" ERP PHASE-CUT DIMMERS

DIMMER INFORMATION			
MANUFACTURER	PRODUCT	MANUFACTURER	PRODUCT
Cooper	DAL06P	Lightolier	ZP260QEW
	DLC03P	Lutron	CT103P
	SLC03P		DV600P
Leviton	6161		DVCL-153P
	6631-2		DVELV303P
	6633-P		FAELV500
	6673-10W		LG600P
	6683-IW		MAELV600
	IPE04		S600P
	IPI06-1LZ		S-603PG
	VPE06		SELV300P
			TG-600P
			TGCL-153P

NOTE: Wiring diagrams are examples of typical installations intended to illustrate the number of wires that must be run to fixture. These diagrams are not intended to specify all equipment necessary for a given dimming circuit. Refer to specific dimmer manufacturer's documentation for details.

S- ERP DRIVER 2 WIRE PHASE DIMMING



IMPORTANT SAFETY INSTRUCTIONS - SAVE THESE INSTRUCTIONS

1. Keep these instructions in a safe place for future reference.
2. Only qualified electricians in accordance to local codes should install these fixtures
3. De-energize the electrical circuit at the circuit breaker prior to installation process or servicing.
4. Make sure all connections are in accordance with the National Electrical Code and any local regulations.
5. Cap any wires not used separately (not together).

Project: _____
 Type: _____
 Note: _____

ACROBAT 3" LED DOWNLIGHT

DIMMING DRIVER COMPATIBILITY

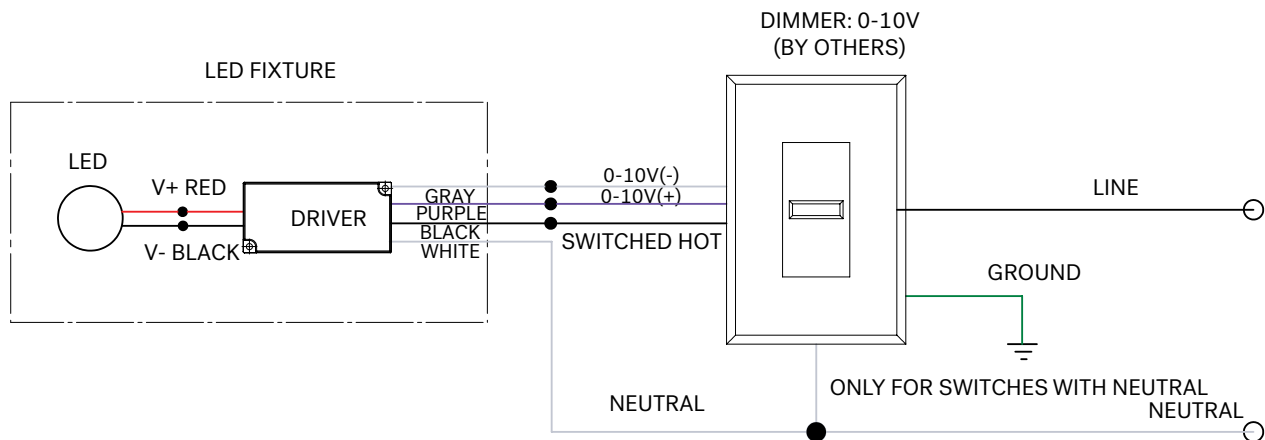
DIMMER LIST

"S" ERP 0-10V

DIMMER INFORMATION	
MANUFACTURER	PRODUCT
Leviton	IP740-DLZ
Lightolier	ZP600FAM120
	V2000FAMU
Lutron	DVTV
	NTFTV
Crestron	CLS-EXP-DIMFLV
	DIN-4DIMFLV4
	DIN-A08
	GLX-DIMFLV8

NOTE: Wiring diagrams are examples of typical installations intended to illustrate the number of wires that must be run to fixture. These diagrams are not intended to specify all equipment necessary for a given dimming circuit. Refer to specific dimmer manufacturer's documentation for details.

S-ERP DRIVER 0-10V DIMMING



IMPORTANT SAFETY INSTRUCTIONS - SAVE THESE INSTRUCTIONS

1. Keep these instructions in a safe place for future reference.
2. Only qualified electricians in accordance to local codes should install these fixtures
3. De-energize the electrical circuit at the circuit breaker prior to installation process or servicing.
4. Make sure all connections are in accordance with the National Electrical Code and any local regulations.
5. Cap any wires not used separately (not together).

Project: _____
 Type: _____
 Note: _____

ACROBAT 3" LED DOWNLIGHT

DIMMING DRIVER COMPATIBILITY

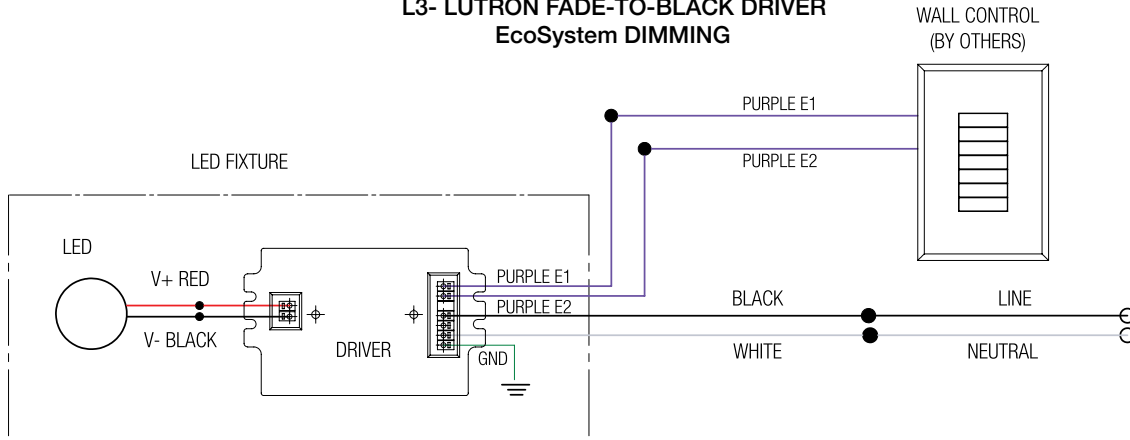
DIMMER LIST

"L3" LUTRON FADE-TO-BLACK

DIMMER INFORMATION	
MANUFACTURER	PRODUCT
Lutron	LQSE-2ECO-D
	RMJ-ECO32-DV-B
	FCJ/FCJS-ECO
	QSN-1ECO-S
	QSN-2ECO-S
	EcoSystem ESN
	Grafik Eye QS with EcoSystem
	Quantum

NOTE: Wiring diagrams are examples of typical installations intended to illustrate the number of wires that must be run to fixture. These diagrams are not intended to specify all equipment necessary for a given dimming circuit. Refer to specific dimmer manufacturer's documentation for details.

L3- LUTRON FADE-TO-BLACK DRIVER EcoSystem DIMMING



IMPORTANT SAFETY INSTRUCTIONS - SAVE THESE INSTRUCTIONS

1. Keep these instructions in a safe place for future reference.
2. Only qualified electricians in accordance to local codes should install these fixtures
3. De-energize the electrical circuit at the circuit breaker prior to installation process or servicing.
4. Make sure all connections are in accordance with the National Electrical Code and any local regulations.
5. Cap any wires not used separately (not together).

Project: _____
 Type: _____
 Note: _____

ACROBAT 3" LED DOWNLIGHT

DIMMING DRIVER COMPATIBILITY

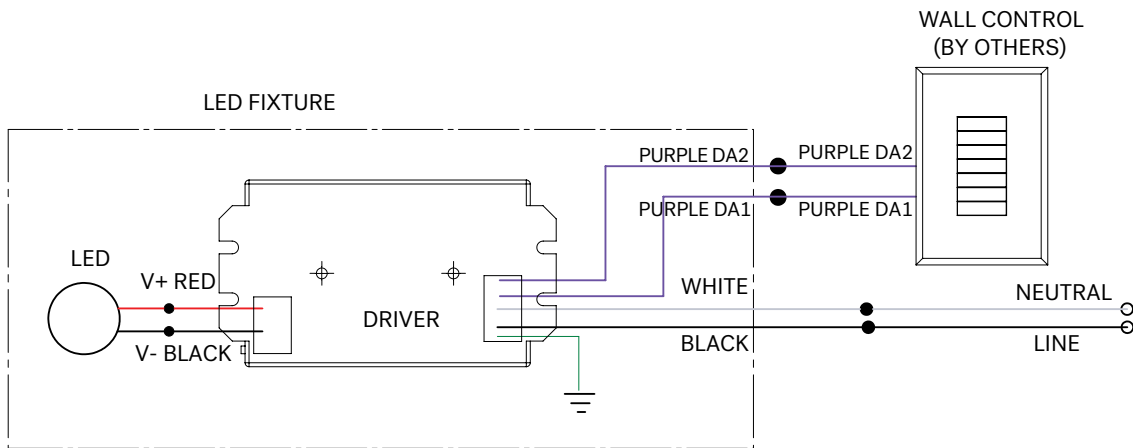
DIMMER LIST

"EL1" eldoLED DALI 1%

DIMMER INFORMATION	
MANUFACTURER	PRODUCT
	DALI Controls

NOTE: Wiring diagrams are examples of typical installations intended to illustrate the number of wires that must be run to fixture. These diagrams are not intended to specify all equipment necessary for a given dimming circuit. Refer to specific dimmer manufacturer's documentation for details.

EL1- eldoLED DRIVER
DALI DIMMING



IMPORTANT SAFETY INSTRUCTIONS - SAVE THESE INSTRUCTIONS

1. Keep these instructions in a safe place for future reference.
2. Only qualified electricians in accordance to local codes should install these fixtures
3. De-energize the electrical circuit at the circuit breaker prior to installation process or servicing.
4. Make sure all connections are in accordance with the National Electrical Code and any local regulations.
5. Cap any wires not used separately (not together).

Project: _____
 Type: _____
 Note: _____

ACROBAT 3" LED DOWNLIGHT

DIMMING DRIVER COMPATIBILITY

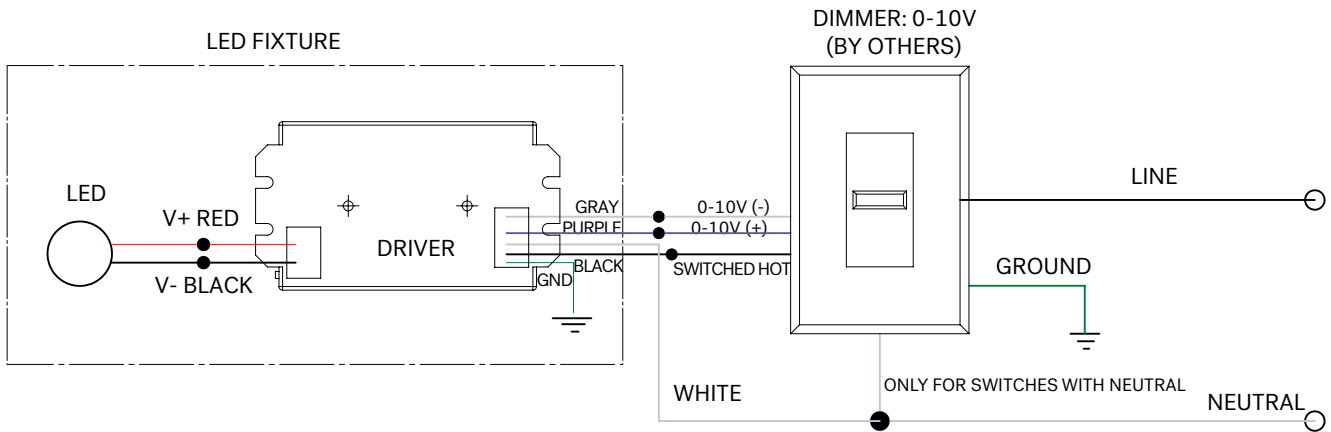
DIMMER LIST

"EL2" eLdoLED 0-10V 1%

DIMMER INFORMATION	
MANUFACTURER	PRODUCT
Leviton	IP740-DLZ
Lightolier	ZP600FAM120
Lutron	DVTV
	NTFTV
	NFTV
Crestron	CLS-EXP-DIMFLV
	DIN-4DIMFLV4
	DIN-A08
	GLX-DIMFLV8

NOTE: Wiring diagrams are examples of typical installations intended to illustrate the number of wires that must be run to fixture. These diagrams are not intended to specify all equipment necessary for a given dimming circuit. Refer to specific dimmer manufacturer's documentation for details.

EL2- eLdoLED DRIVER 0-10V DIMMING



IMPORTANT SAFETY INSTRUCTIONS - SAVE THESE INSTRUCTIONS

1. Keep these instructions in a safe place for future reference.
2. Only qualified electricians in accordance to local codes should install these fixtures
3. De-energize the electrical circuit at the circuit breaker prior to installation process or servicing.
4. Make sure all connections are in accordance with the National Electrical Code and any local regulations.
5. Cap any wires not used separately (not together).

Project: _____
 Type: _____
 Note: _____

ACROBAT 3" LED DOWNLIGHT

DIMMING DRIVER COMPATIBILITY

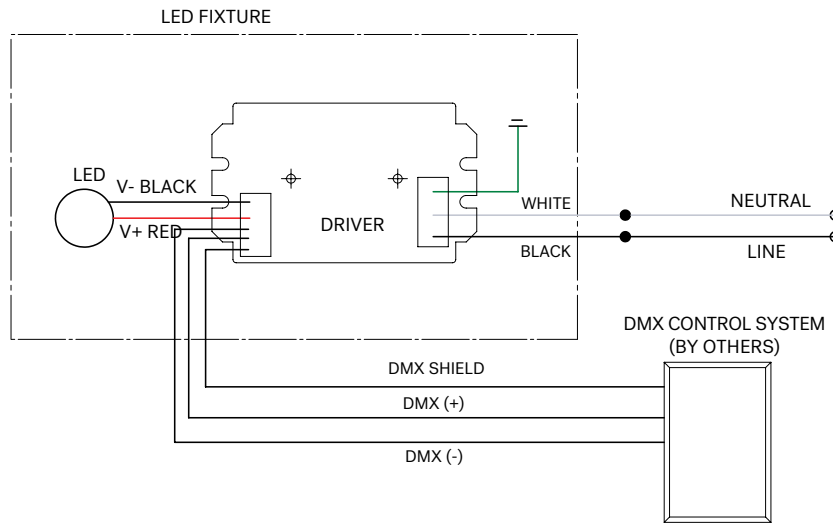
DIMMER LIST

"DMX" Moons

DIMMER INFORMATION	
MANUFACTURER	PRODUCT
	DMX Controls

NOTE: Wiring diagrams are examples of typical installations intended to illustrate the number of wires that must be run to fixture. These diagrams are not intended to specify all equipment necessary for a given dimming circuit. Refer to specific dimmer manufacturer's documentation for details.

DMX DRIVER WIRING DIAGRAM



IMPORTANT SAFETY INSTRUCTIONS - SAVE THESE INSTRUCTIONS

1. Keep these instructions in a safe place for future reference.
2. Only qualified electricians in accordance to local codes should install these fixtures
3. De-energize the electrical circuit at the circuit breaker prior to installation process or servicing.
4. Make sure all connections are in accordance with the National Electrical Code and any local regulations.
5. Cap any wires not used separately (not together).