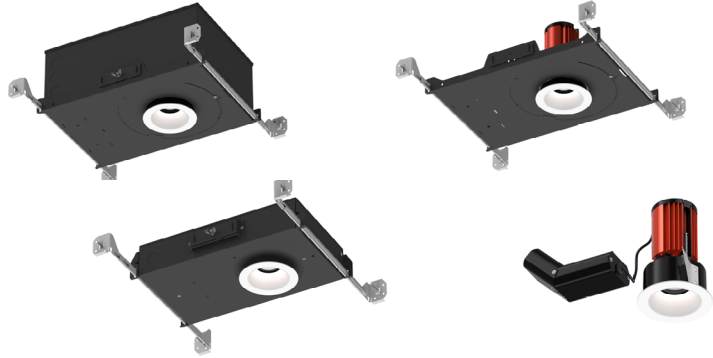


Project: _____
 Type: _____
 Note: _____

ACROBAT 2" LED DOWNLIGHT



SILENT VU™ OPTICS TECHNOLOGY	
OPTICS	10°, 30°, 50°, 80° Field Changeable
ADJUSTABLE	0° to 40° tilt (Adjustable housings only)
MEDIA	Clear, Solite, Frosted, Linear Spread, Hex Louver

LED LIGHT ENGINE	
RATED WATTAGES	10W, 15W, 20W
DELIVERED LUMENS	Up to 1855 lm @4000K-20W-30° Optic
EFFICACY	Up to 96.2 LPW @4000K-10W-30° Optic
CCT @ 90CRI	2700K, 3000K, 3500K, 4000K, Warm Dim
COLOR QUALITY	90+ CRI, 2-Step SDCM
LED LIFETIME	55,000 hours @ L90

DELIVERED LUMENS MATRIX					
		10° OPTIC	30° OPTIC	50° OPTIC	80° OPTIC
10 Watt	2700K (90CRI)	848 lm	912 lm	874 lm	739 lm
	3000K (90CRI)	900 lm	968 lm	927 lm	785 lm
	3500K (90CRI)	943 lm	1014 lm	972 lm	822 lm
	4000K (90CRI)	978 lm	1052 lm	1008 lm	853 lm
	Warm Dim (98CRI)	572 lm	627 lm	587 lm	460 lm
15 Watt	2700K (90CRI)	1235 lm	1329 lm	1273 lm	1078 lm
	3000K (90CRI)	1311 lm	1410 lm	1351 lm	1144 lm
	3500K (90CRI)	1374 lm	1478 lm	1417 lm	1199 lm
	4000K (90CRI)	1425 lm	1533 lm	1469 lm	1243 lm
	Warm Dim (98CRI)	877 lm	961 lm	899 lm	705 lm
20 Watt	2700K (90CRI)	1495 lm	1608 lm	1541 lm	1304 lm
	3000K (90CRI)	1587 lm	1706 lm	1635 lm	1384 lm
	3500K (90CRI)	1663 lm	1789 lm	1714 lm	1451 lm
	4000K (90CRI)	1725 lm	1855 lm	1778 lm	1504 lm
	Warm Dim (98CRI)	1059 lm	1161 lm	1086 lm	852 lm

POWER SUPPLY	
INPUT VOLTAGE	120-277V, 50/60Hz
DIMMING	Multiple dimming drivers available
SERVICABILITY	Below ceiling access (Above ceiling access required when using L3, EL1, EL2, DMX drivers)

TRIM OPTIONS

- Fixed or Adjustable
- Round or Square
- Standard or Trimless
- Pinhole, Slot Pinhole
- Wet Location
- Wall Wash

TRIM COLORS

- White
- Black
- Champagne
- Satin Aluminum
- Custom Color

REFLECTOR COLORS

- White
- Black
- Champagne
- Satin Aluminum
- Custom Color
- Clear Alzak

HOUSING

- New Construction includes (2) galvanized steel adjustable hanger bars
- Remodel option available
- 5/8"-2" ceiling thickness
- Min Plenum Height: 2 1/2" Shallow, 5 1/2" Adjustable
- Ceiling Material: Drywall, T-bar grid, Premium Acoustic Tile
 Note: ACT option adds a collar that allows use with low rigidity Premium Acoustic Tile ceilings.
- Steel junction box with up to (6) 1/2" knockouts
- IC, SIC models are Air Tight.
- IC, SIC models are CCEA (Chicago Plenum) compliant.
 (Note: polycell spray-in foam insulation must be kept 3" from housing)

LISTING/WARRANTY

- cULus Listed for 40°C Ambient
- IC Rated and Non IC Rated Available
- CCEA Approved for IC Rated Housings
- Five (5) years limited warranty
- UL Listed for Damp Location (All Styles)
- UL Listed for Wet Location (Wet Location Trim Style)
- CA Title 24-JA8 Compliant
- ASTM E283 Certified Airtight for IC Rated Housings



Project: _____
 Type: _____
 Note: _____

ACROBAT 2" LED DOWNLIGHT

ORDER MATRIX

A2-IC, A2-NC, A2-RM

2" NEW CONSTRUCTION/REMODEL HOUSING (Example: A2-IC-RST-10S-SHB)

HOUSING BASE			
FAMILY APERTURE	INSTALLATION TYPE	TRIM SHAPE	TRIM STYLE
A2- Acrobat 2"	IC⁷ Adjustable New Construction, IC, CCEA	-R Round	ST Standard
	NC⁷ Adjustable New Construction	-S Square	TL Trimless
	RM Adjustable Remodel		WC Trimless Wood Ceiling
			ACT⁷ (Premium) Acoustic Tile
DRIVER ASSEMBLY			
WATTAGE	LED DIMMING DRIVER	HANGER BAR	WARM DIM
-10 10 Watt	S⁵ Universal Dim Driver: 1%-100% 0-10V, TRIAC, ELV, 120V/277V	-SHB Standard	(blank) Standard
-15 15 Watt	L3^{2,3,4} Lutron Hi-Lume® Dim Driver: 1%-100% EcoSystem, 120V/277V	-C24 24" C-Channel	-WD⁶ Warm Dim
-20¹ 20 Watt	EL1^{2,3} EdoLED DALI Dim: 1%-100% DALI, 120V/277V	-C48 48" C-Channel	Hanger bars not included with RM housings
	EL2^{2,3} EdoLED Dim: 1%-100% 0-10V, 120V/277V		
	DMX^{2,3} DMX Dim: 1%-100% DMX, 120V/277V		
	REMOTE LED DIMMING DRIVER		
	SR1⁵ Remote Universal Dim: 1%-100% 0-10V, TRIAC, or ELV, 120V/277V		

1. 20W option only available for NC (Adjustable New Construction), RM (Adjustable Remodel), SNC (Shallow New Construction) housings.
 2. Driver access above ceiling only.
 3. Driver only available for IC and NC housings.
 4. Ambient temperature rated for 25°C

5. TRIAC, ELV dimming for 120V only.
 6. WD CCT must also be selected in Module section.
 7. For use with Premium low rigidity Acoustic Tile ceilings.
 Only offered with ST Trim Style. Only applicable for IC or NC Installation Types.

2" NEW CONSTRUCTION/REMODEL TRIM (Example: A2-2790-RSTWT-STWTNL-30)

FAMILY APERTURE	LED PERFORMANCE		TRIM		
	CCT	CRI	TRIM SHAPE	TRIM STYLE	TRIM FINISH
A2- Acrobat 2"	-27 2700K	90 90 CRI	-R Round	ST Standard	TL⁷ Trimless
	-30 3000K		-S Square	TL Trimless	WT White
	-35 3500K		ACT (Premium) Acoustic Tile	BK Black	
	-40 4000K		WC Wood Ceiling	CN Champagne	
	-WD⁶ 1800K-3000K		SA Satin Aluminum	CC¹ Custom Color	
REFLECTOR			OPTIC AND MEDIA		
REFLECTOR STYLE	REFLECTOR FINISH	REFLECTOR LENS	OPTIC	MEDIA 1	MEDIA 2
-ST² Standard	WT White	NL No Lens	-10 10° Spot	(blank) None	(blank) None
-PH² Pinhole	BK Black	CL⁸ Clear	-30 30° Narrow Flood	CL⁸ Clear Lens	CL⁸ Clear Lens
-SP² Slot Pinhole	CA⁴ Clear Alzak	MP⁸ Solite	-50 50° Flood	MP⁸ Solite Lens	MP⁸ Solite Lens
-SW⁸ Wall Wash	CN Champagne	FR⁸ Frosted	-80 80° Wide Flood	FR⁸ Frosted Lens	FR⁸ Frosted Lens
-AL^{2,3} Adjustable Lensed	SA Satin Aluminum			LS⁸ Linear Spread Lens	LS⁸ Linear Spread Lens
	CC¹ Custom Color			HX^{5,8} Hex Louver	

1. Custom color only available for ST (Standard) Trim and ST (Standard), AL (Adjustable Lensed) Reflector only. Contact CSL for details.
 2. Wet Location rated when used with Reflector Lens.
 3. Must be ordered with corresponding Reflector Lens.

4. CA (Clear Alzak) Finish only available for R (Round), ST (Standard) Reflector.
 5. Cannot be used with a second Media.
 6. Media 1 lens required. For WD with 10°, 30°, 50° Optic use MP (Solite Lens). For WD with 80° Optic use FR (Frosted Lens).

7. Must be used with TL or WC trim style.
 8. Reflector and Media Lenses cannot be added with Wall Wash selection.

Project: _____
 Type: _____
 Note: _____

ACROBAT 2" LED DOWNLIGHT

ORDER MATRIX

A2-SIC, A2-SNC

2" SHALLOW PLENUM NEW CONSTRUCTION HOUSING (Example: A2-SIC-RST-02790-30-10S-SHB)

HOUSING BASE						
FAMILY APERTURE	INSTALLATION TYPE		TRIM SHAPE		TRIM STYLE	
A2- Acrobat 2"	SIC	Shallow Plenum New Construction, IC, CCEA	-R	Round	ST	Standard
	SNC	Shallow Plenum New Construction	-S	Square	TL	Trimless
					WC	Trimless Wood Ceiling
CEILING	LED PERFORMANCE			OPTIC AND MEDIA		
CEILING THICKNESS	CCT	CRI	OPTIC		MEDIA 1	MEDIA 2
-0 ¾" Ceiling Thickness	27 2700K	90 90 CRI	-10	10° Spot	(blank) None	(blank) None
-1 1¼" Ceiling Thickness	30 3000K		-30	30° Narrow Flood	CL ⁵ Clear Lens	CL ⁵ Clear Lens
-2 2" Ceiling Thickness	35 3500K		-50	50° Flood	MP ⁵ Solite Lens	MP ⁵ Solite Lens
	40 4000K		-80	80° Wide Flood	FR ⁵ Frosted Lens	FR ⁵ Frosted Lens
	WD ³ 1800K-3000K				LS ⁵ Linear Spread Lens	LS ⁵ Linear Spread Lens
					HX ^{4,5} Hex Louver	
DRIVER ASSEMBLY						
WATTAGE	LED DIMMING DRIVER			HANGER BAR		
-10 10 Watt	S ⁴	Universal Dim Driver: 1%-100% 0-10V, TRIAC, ELV, 120V/277V		-SHB	Standard	
-15 15 Watt	REMOTE LED DIMMING DRIVER			-C24	24" C-Channel	
-20 ² 20 Watt	SR1 ⁴	Remote Universal Dim: 1%-100% 0-10V, TRIAC, or ELV, 120V/277V		-C48	48" C-Channel	

1. Cannot be used with a second media.
 2. 120W option only available for SNC (Shallow Plenum New Construction) only.
 3. Media 1 lens required. For WD with 10°, 30°, 50° Optic use MP (Solite Lens).
 For WD with 80° Optic use FR (Frosted Lens).
 4. TRIAC, ELV dimming for 120V only.
 5. Media Lens not available with Wall Wash selection.

2" SHALLOW PLENUM NEW CONSTRUCTION TRIM (Example: A1-RSTWT-STWT-NL)

TRIM				REFLECTOR		
FAMILY APERTURE	TRIM SHAPE	TRIM STYLE	TRIM FINISH	REFLECTOR STYLE	REFLECTOR FINISH	REFLECTOR LENS
A2- Acrobat 2"	R Round	ST Standard	TL ⁴ Trimless	-ST ² Standard	WT White	-NL No Lens
	S Square	TL Trimless	WT White	-PH ² Pinhole	BK Black	-CL ⁵ Clear
			BK Black	-SP ² Slot Pinhole	CA ³ Clear Alzak	-MP ⁵ Solite
			CN Champagne	-SW ⁵ Wall Wash	CN Champagne	-FR ⁵ Frosted
			SA Satin Aluminum		SA Satin Aluminum	
			CC ¹ Custom Color		CC ¹ Custom Color	

1. Custom color only available for ST (Standard) Trim and ST (Standard), AL (Adjustable Lensed) Reflector only.
 Contact CSL for details.
 2. Wet Location rated when used with Reflector Lens.
 3. CA (Clear Alzak) Finish only available for Round reflectors as ST (Standard) or AL (Adjustable Lens) styles.
 4. Must be used with TL or WC trim style.
 5. Reflector and Media Lenses cannot be added with Wall Wash selection.

EMERGENCY OPTIONS

EM-1000 25W Remote Inverter	EM-1003-CA 35W Remote Inverter - Title 20	EM-1006 25W Remote Inverter - Title 20
EM-1002 10W Remote Emergency Driver - Title 20	EM-1004 50W Remote Inverter	

ACROBAT 2" LED DOWNLIGHT

HOUSING AND LIGHT ENGINE LINE DRAWINGS

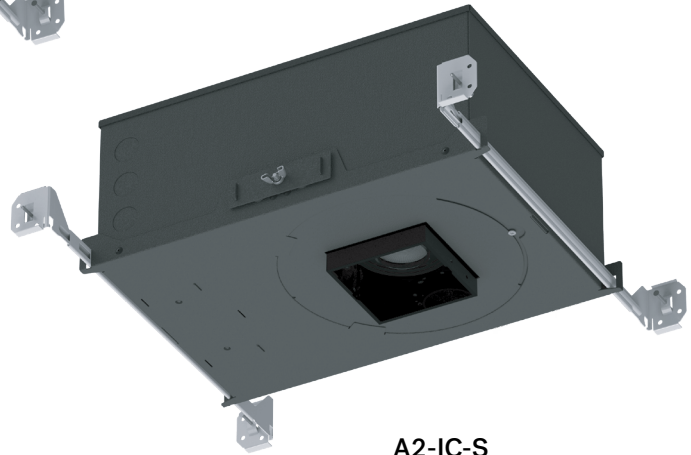
A1-IC

New Construction IC Housing



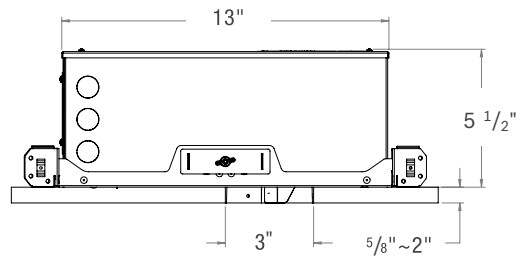
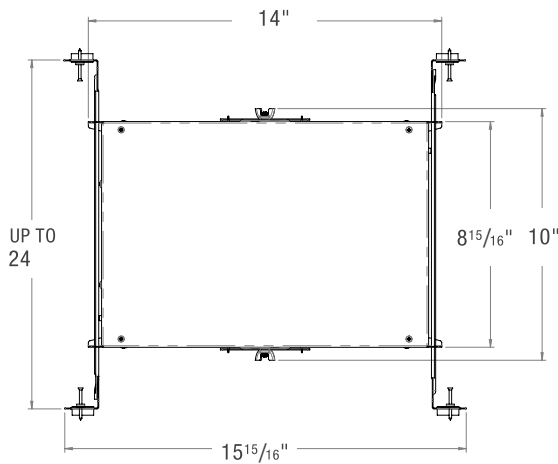
A2-IC-R

Acrobat 2" - Adjustable New Construction IC Housing
Round with Round Trim



A2-IC-S

Acrobat 2" - Adjustable New Construction IC Housing
Square with Square Trim

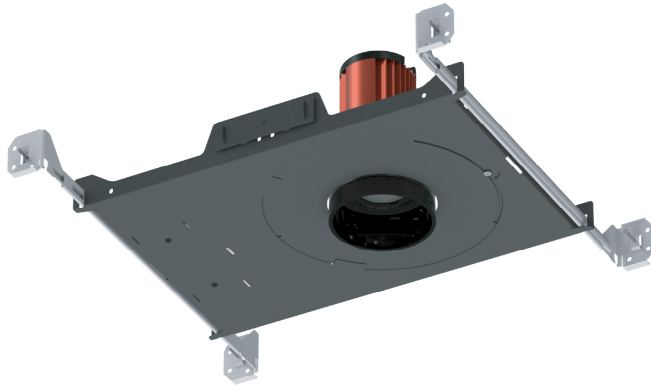


Project: _____
 Type: _____
 Note: _____

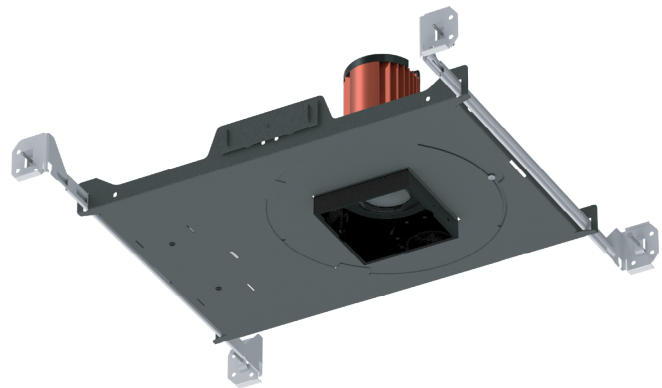
ACROBAT 2" LED DOWNLIGHT

HOUSING AND LIGHT ENGINE LINE DRAWINGS

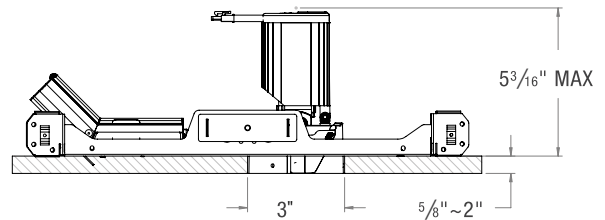
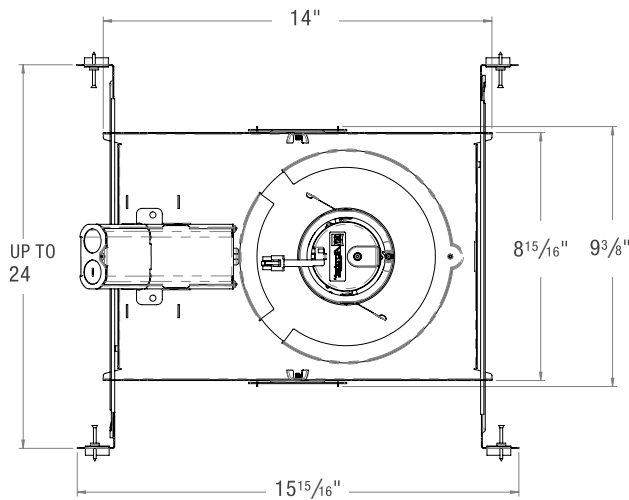
A2-NC
 New Construction Housing



A2-NC-R
 Acrobat 2" - Adjustable New Construction Housing
 Round with Round Trim



A2-NC-S
 Acrobat 2" - Adjustable New Construction Housing
 Square with Square Trim

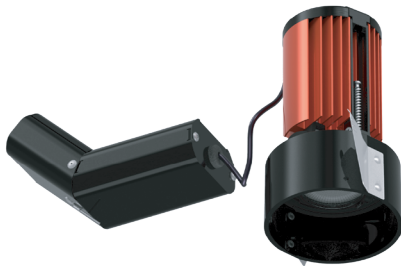


Project: _____
 Type: _____
 Note: _____

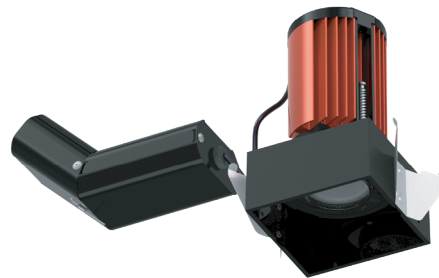
ACROBAT 2" LED DOWNLIGHT

HOUSING AND LIGHT ENGINE LINE DRAWINGS

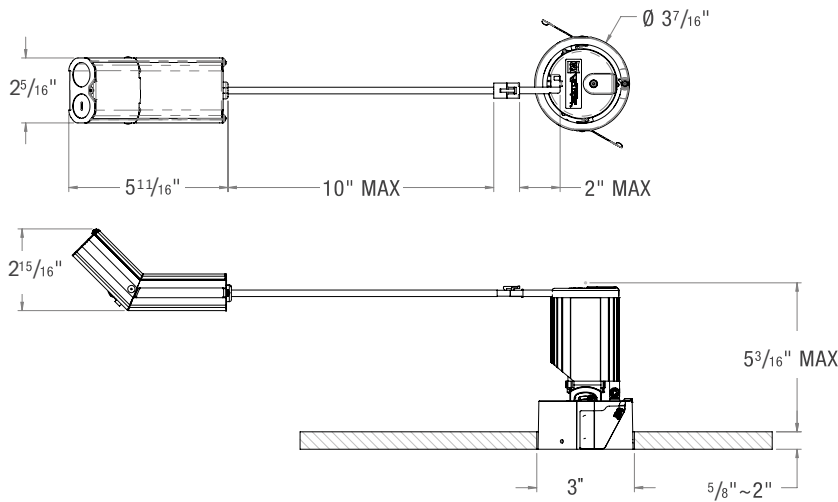
A2-RM
Remodel Housing



A2-RM-R
Acrobat 2" - Adjustable Remodel Housing
Round with Round Trim



A2-RM-S
Acrobat 2" - Adjustable Remodel Housing
Square with Square Trim



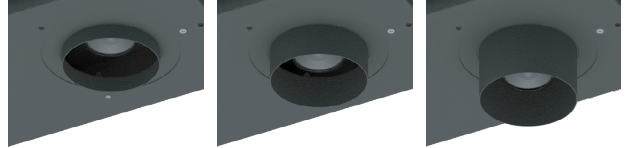
ACROBAT 2" LED DOWNLIGHT

HOUSING AND LIGHT ENGINE LINE DRAWINGS

A2-SIC, A2-SNC

Shallow Plenum Housing

CEILING THICKNESS



-0

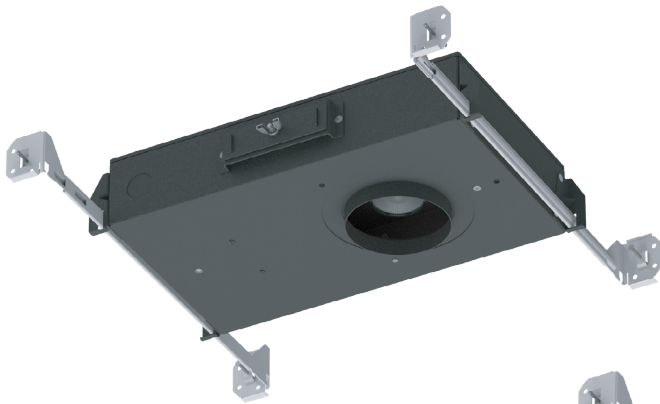
-1

-2

5/8" Ceiling Thickness

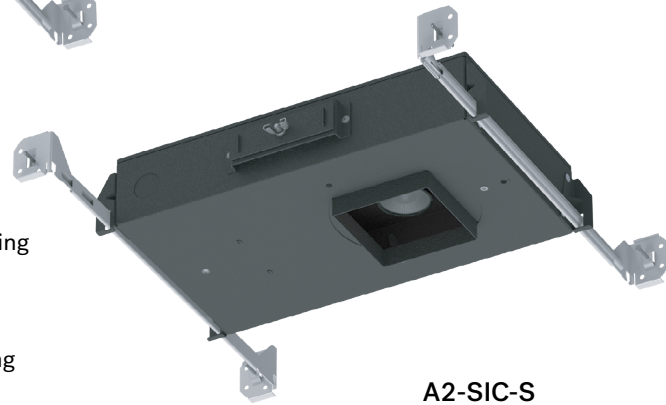
1 1/4" Ceiling Thickness

2" Ceiling Thickness



A2-SIC-R

Acrobat 2" - Shallow Plenum New Construction IC Housing
Round



A2-SIC-S

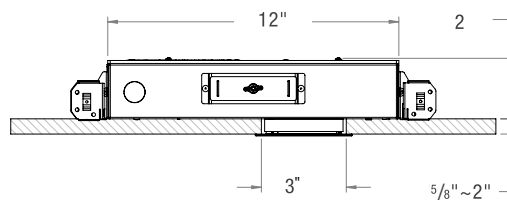
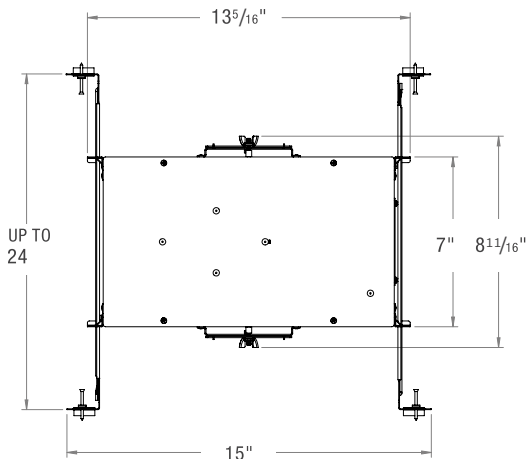
Acrobat 2" - Shallow Plenum New Construction IC Housing
Square

A2-SNC-R

Acrobat 2" - Shallow Plenum New Construction Housing
Round

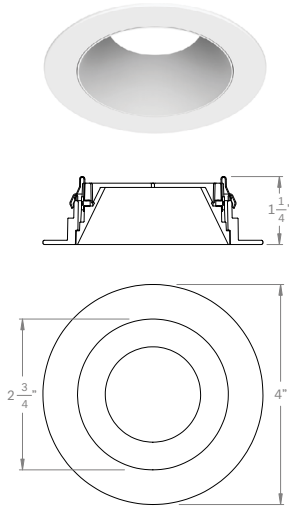
A2-SNC-S

Acrobat 2" - Shallow Plenum New Construction Housing
Square

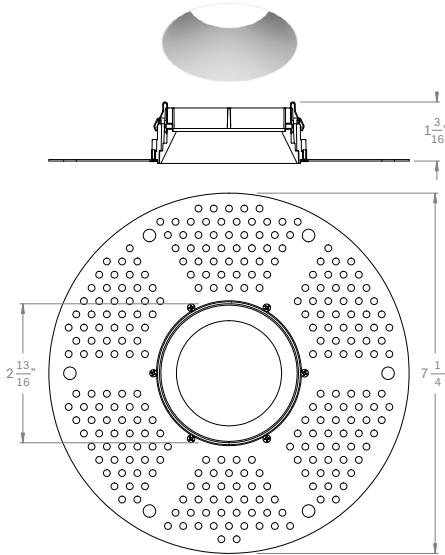


ACROBAT 2" LED DOWNLIGHT

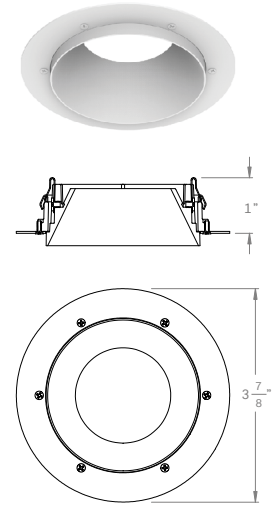
TRIM STYLES



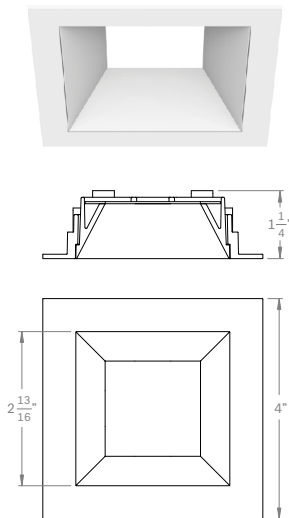
RST
2" Acrobat Round Standard Trim
(with Standard Reflector)



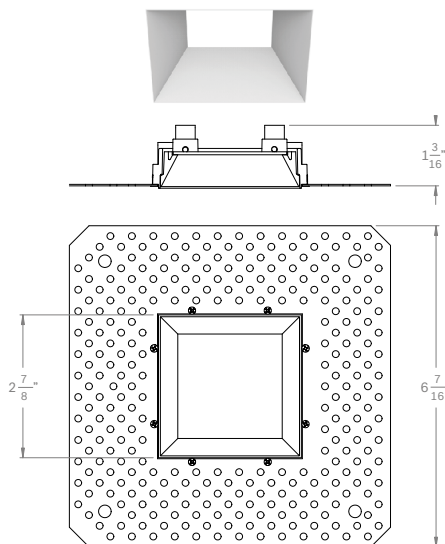
RTL
2" Acrobat Round Trimless Mud Plate
(with Standard Reflector)



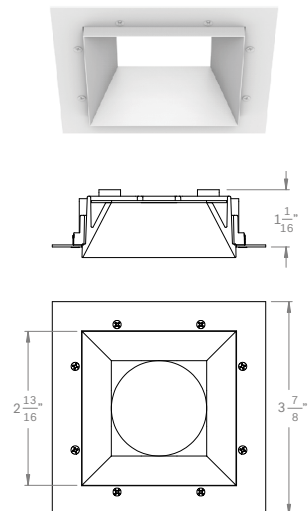
RWC
2" Acrobat Round Wood Ceiling Trim
(with Standard Reflector)



SST
2" Acrobat Square Standard Trim
(with Standard Reflector)



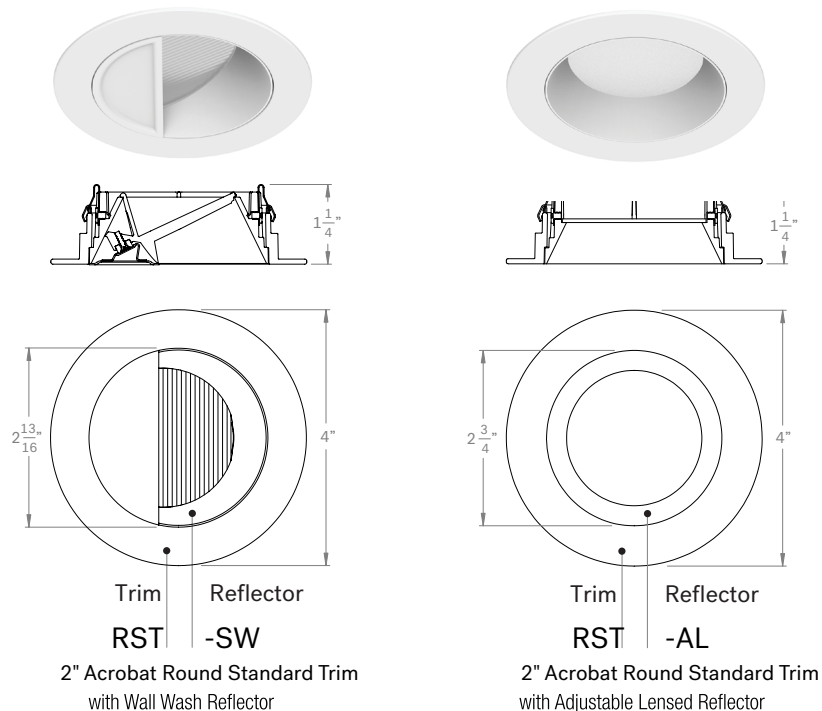
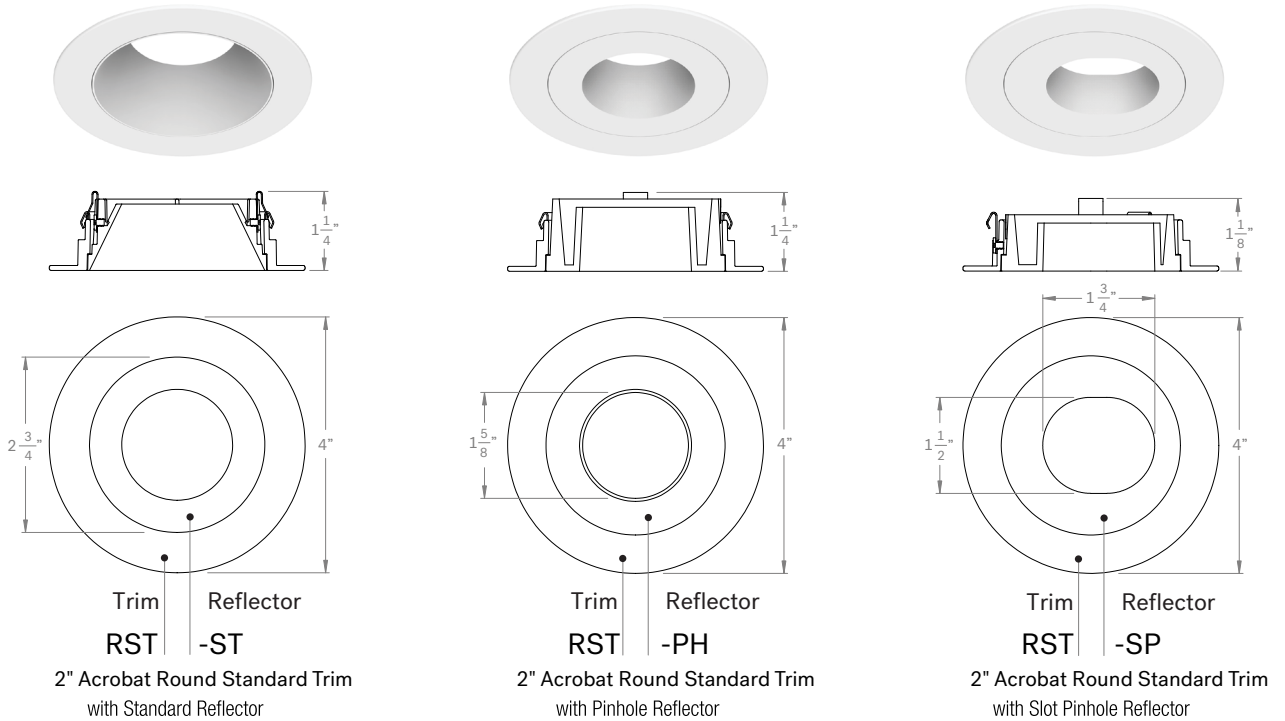
STL
2" Acrobat Square Trimless Mud Plate
(with Standard Reflector)



SWC
2" Acrobat Square Wood Ceiling Trim
(with Standard Reflector)

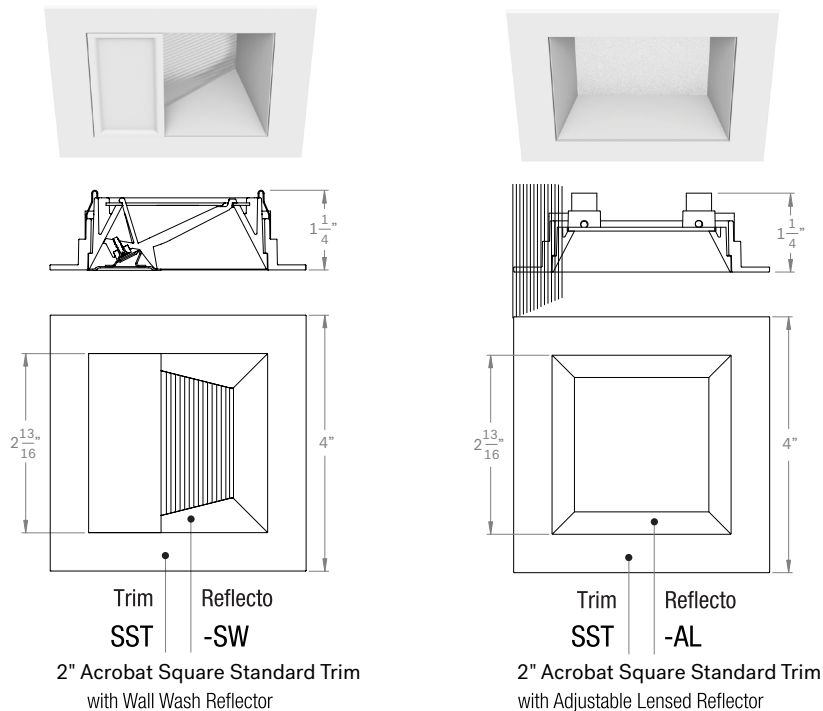
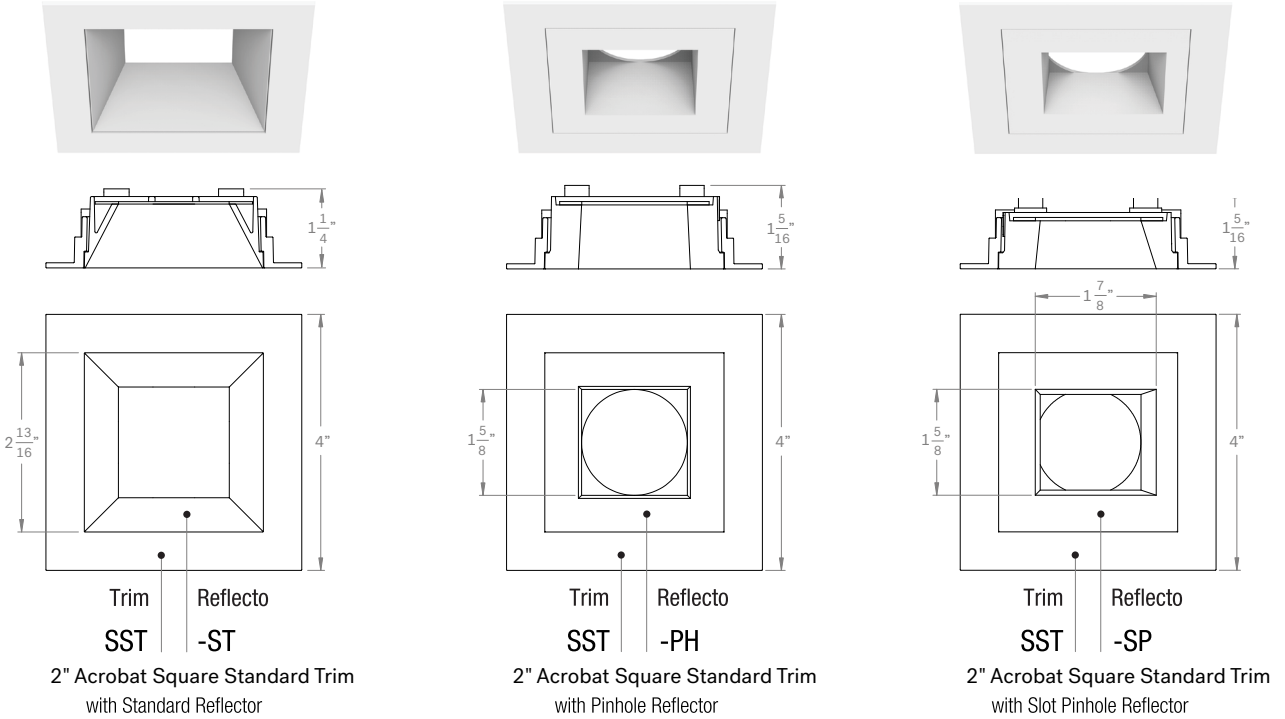
ACROBAT 2" LED DOWNLIGHT

REFLECTOR STYLE (ROUND)



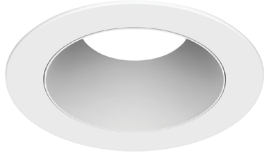
ACROBAT 2" LED DOWNLIGHT

REFLECTOR STYLE (SQUARE)

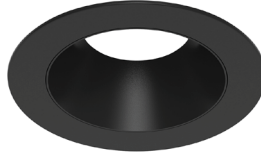


ACROBAT 2" LED DOWNLIGHT

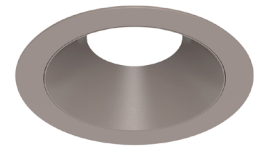
TRIM FINISHES



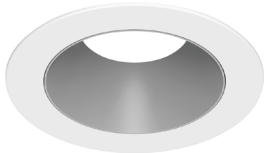
RSTWT-STWT
WT White Trim
WT White Reflector



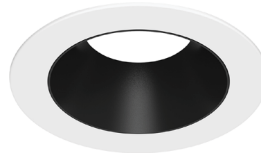
RSTBK-STBK
BK Black Trim
BK Black Reflector



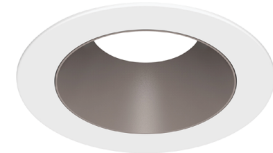
RSTCN-STCN
CN Champagne Trim
CN Champagne Reflector



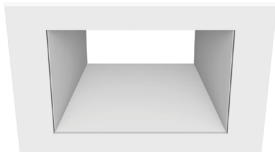
RSTWT-STSA
WT White Trim
SA Satin Aluminum



RSTWT-STBK
WT White Trim
BK Black Reflector



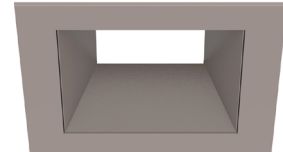
RSTWT-STCN
WT White Trim
CN Champagne Reflector



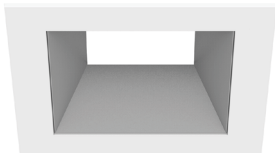
SSTWT-STWT
WT White Trim
WT White Reflector



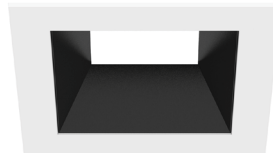
SSTBK-STBK
BK Black Trim
BK Black Reflector



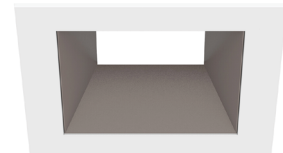
SSTCN-STCN
CN Champagne Trim
CN Champagne Reflector



SSTWT-STSA
WT White Trim
SA Satin Aluminum



SSTWT-STBK
WT White Trim
BK Black Reflector



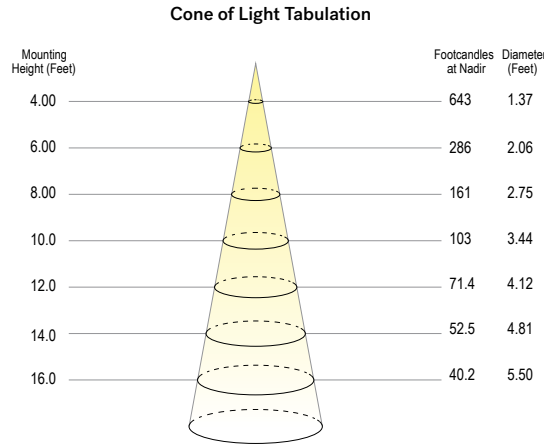
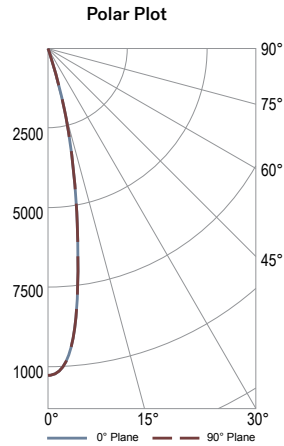
SSTWT-STCN
WT White Trim
CN Champagne Reflector

Project: _____
 Type: _____
 Note: _____

ACROBAT 2" LED DOWNLIGHT

PHOTOMETRICS

Acrobat Downlight 2" NC, RM Models (2700K, 90 CRI, 10° Optic, 20W) Round, Standard, White Trim



VOLTAGE	CURRENT	POWER
120.1 VAC	0.1809 A	21.47W

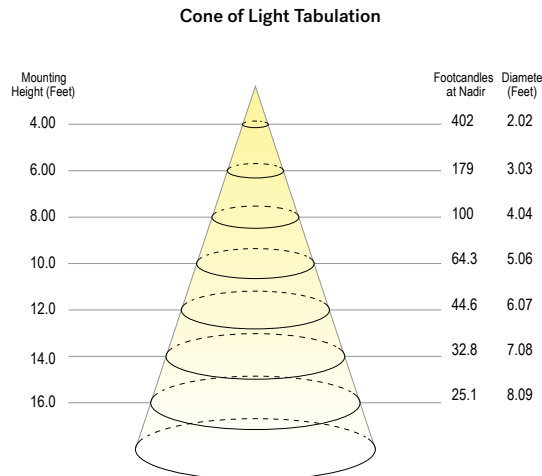
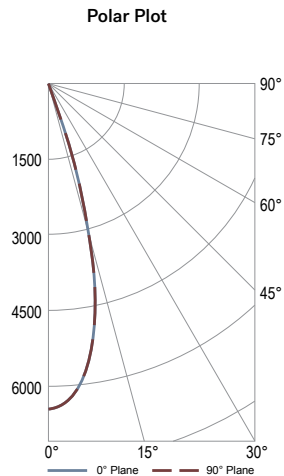
POWER FACTOR	FREQUENCY	CURRENT THD
0.989	60 Hz	12.7%

Summary of Results

Spacing Criteria	Total Lumen Output:	1495 Lumens
0-180: 0.34	Luminaire Efficacy:	69.6 lm/w
90-270: 0.34	Maximum Candela:	10288 Candela

ZONE	LUMENS	% OF LUMINAIRE
0-40	1467	98.1%
0-60	1487	99.5%
0-90	1496	100%

Acrobat Downlight 2" NC, RM Models (2700K, 90 CRI, 30° Optic, 20W) Round, Standard, White Trim



VOLTAGE	CURRENT	POWER
120.0 VAC	0.1819 A	21.59W

POWER FACTOR	FREQUENCY	CURRENT THD
0.988	60 Hz	12.8%

Summary of Results

Spacing Criteria	Total Lumen Output:	1608 Lumens
0-180: 0.51	Luminaire Efficacy:	74.5 lm/w
90-270: 0.51	Maximum Candela:	6604 Candela

ZONE	LUMENS	% OF LUMINAIRE
0-40	1592	99%
0-60	1603	99.7%
0-90	1608	100%

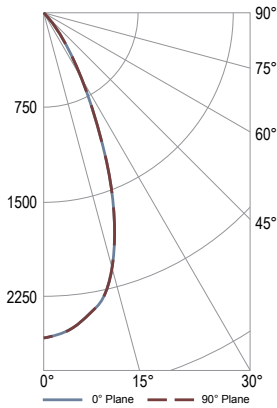
Project: _____
 Type: _____
 Note: _____

ACROBAT 2" LED DOWNLIGHT

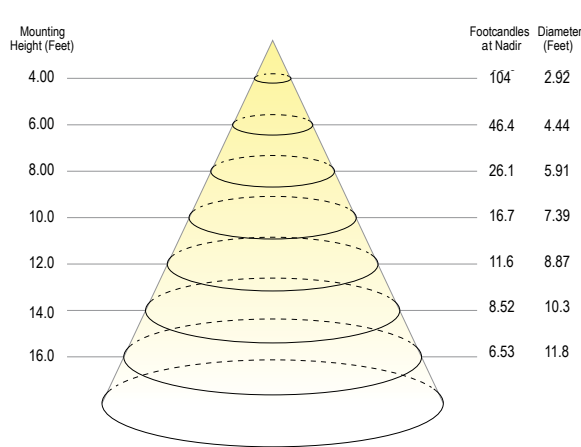
PHOTOMETRICS

Acrobat Downlight 2" NC, RM Models (2700K, 90 CRI, 50° Optic, 20W)
 Round, Standard, White Trim

Polar Plot



Cone of Light Tabulation



VOLTAGE	CURRENT	POWER
120.1 VAC	0.1494 A	17.65W

POWER FACTOR	FREQUENCY	CURRENT THD
0.984	60 Hz	16.1%

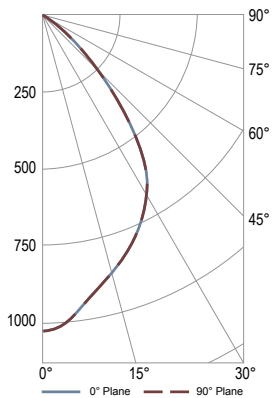
Summary of Results

Spacing Criteria	Total Lumen Output:	931 Lumens
0-180: 0.74	Luminaire Efficacy:	52.7 lm/w
90-270: 0.74	Maximum Candela:	1688 Candela

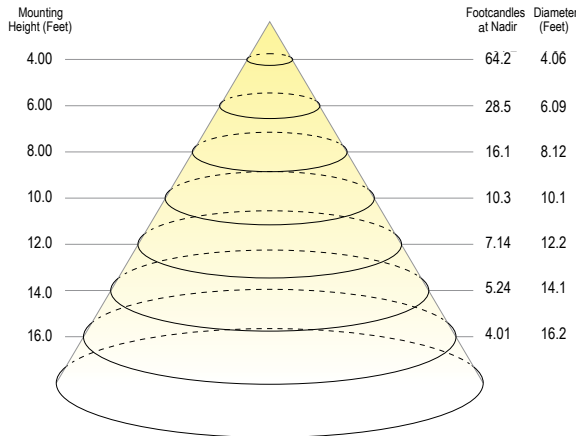
ZONE	LUMENS	% OF LUMINAIRE
0-40	916	98.4%
0-60	929	99.8%
0-90	931	100%

Acrobat Downlight 2" NC, RM Models (2700K, 90 CRI, 80° Optic, 20W)
 Round, Standard, White Trim

Polar Plot



Cone of Light Tabulation



VOLTAGE	CURRENT	POWER
120.1 VAC	0.1782A	21.06W

POWER FACTOR	FREQUENCY	CURRENT THD
0.984	60 Hz	16.0%

Summary of Results

Spacing Criteria	Total Lumen Output:	1304 Lumens
0-180: 1.01	Luminaire Efficacy:	61.9 lm/w
90-270: 1.01	Maximum Candela:	1028 Candela

ZONE	LUMENS	% OF LUMINAIRE
0-40	1024	78.6%
0-60	1287	98.7%
0-90	1304	100%

Project: _____
 Type: _____
 Note: _____

ACROBAT 2" LED DOWNLIGHT

DIMMING DRIVER COMPATIBILITY

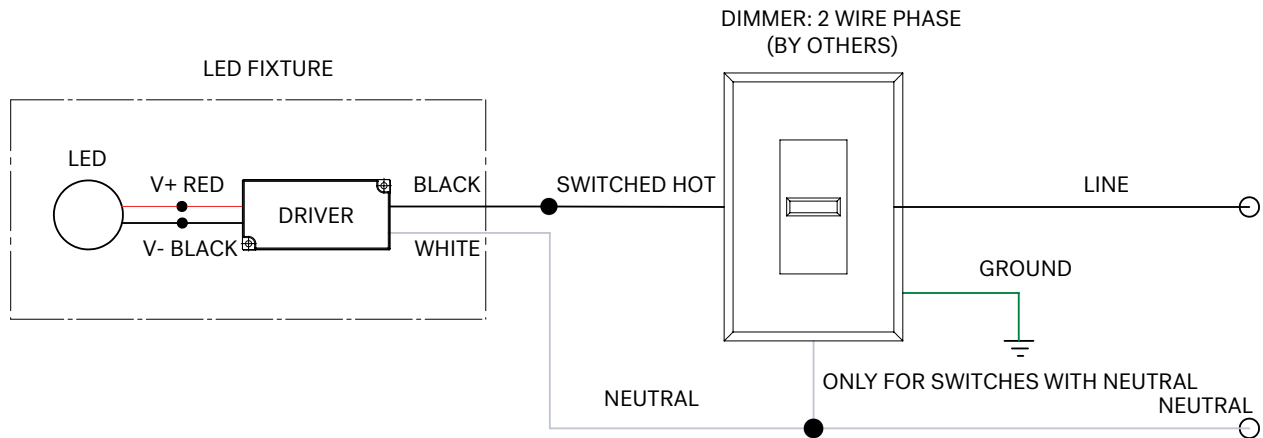
DIMMER LIST

"S" ERP PHASE-CUT DIMMERS

DIMMER INFORMATION			
MANUFACTURER	PRODUCT	MANUFACTURER	PRODUCT
Cooper	DAL06P	Lightolier	ZP260QEW
	DLC03P	Lutron	CT103P
	SLC03P		DV600P
Leviton	6161		DVCL-153P
	6631-2		DVELV303P
	6633-P		FAELV500
	6673-10W		LG600P
	6683-IW		MAELV600
	IPE04		S600P
	IPI06-1LZ		S-603PG
	VPE06		SELV300P
			TG-600P
			TGCL-153P

NOTE: Wiring diagrams are examples of typical installations intended to illustrate the number of wires that must be run to fixture. These diagrams are not intended to specify all equipment necessary for a given dimming circuit. Refer to specific dimmer manufacturer's documentation for details.

S- ERP DRIVER 2 WIRE PHASE DIMMING



IMPORTANT SAFETY INSTRUCTIONS - SAVE THESE INSTRUCTIONS

1. Keep these instructions in a safe place for future reference.
2. Only qualified electricians in accordance with local codes should install these fixtures
3. De-energize the electrical circuit at the circuit breaker prior to installation process or servicing.
4. Make sure all connections are in accordance with the National Electrical Code and any local regulations.
5. Cap any wires not used separately (not together).

Project: _____
 Type: _____
 Note: _____

ACROBAT 2" LED DOWNLIGHT

DIMMING DRIVER COMPATIBILITY

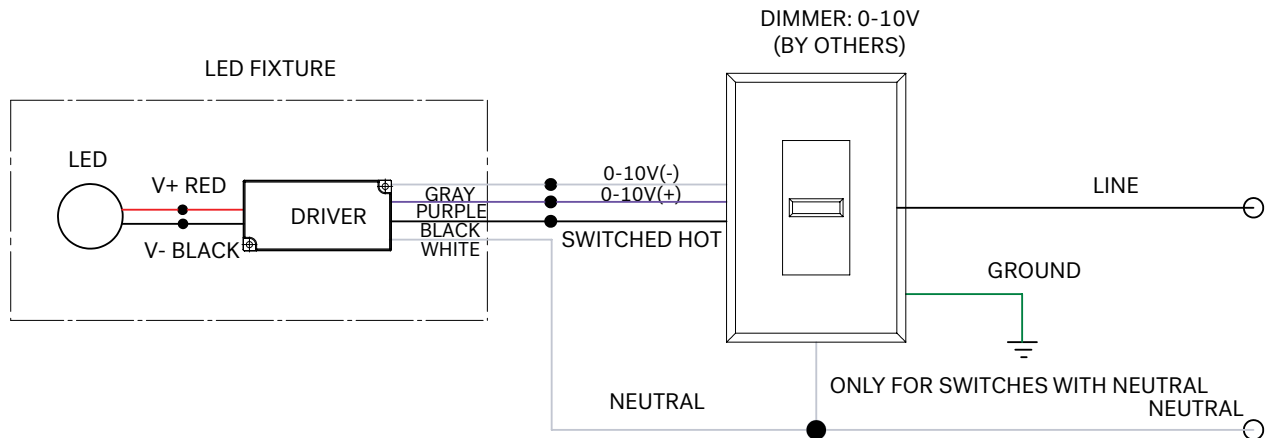
DIMMER LIST

"S" ERP 0-10V

DIMMER INFORMATION	
MANUFACTURER	PRODUCT
Leviton	IP740-DLZ
Lightolier	ZP600FAM120
	V2000FAMU
Lutron	DVTV
	NTFTV
Crestron	CLS-EXP-DIMFLV
	DIN-4DIMFLV4
	DIN-A08
	GLX-DIMFLV8

NOTE: Wiring diagrams are examples of typical installations intended to illustrate the number of wires that must be run to fixture. These diagrams are not intended to specify all equipment necessary for a given dimming circuit. Refer to specific dimmer manufacturer's documentation for details.

S-ERP DRIVER 0-10V DIMMING



IMPORTANT SAFETY INSTRUCTIONS - SAVE THESE INSTRUCTIONS

1. Keep these instructions in a safe place for future reference.
2. Only qualified electricians in accordance to local codes should install these fixtures
3. De-energize the electrical circuit at the circuit breaker prior to installation process or servicing.
4. Make sure all connections are in accordance with the National Electrical Code and any local regulations.
5. Cap any wires not used separately (not together).

Project: _____
 Type: _____
 Note: _____

ACROBAT 2" LED DOWNLIGHT

DIMMING DRIVER COMPATIBILITY

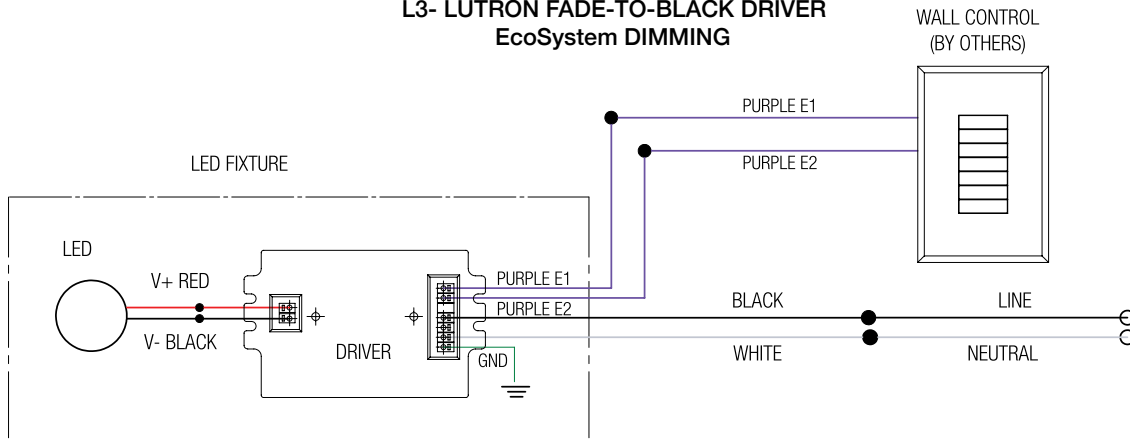
DIMMER LIST

"L3" LUTRON FADE-TO-BLACK

DIMMER INFORMATION	
MANUFACTURER	PRODUCT
Lutron	LQSE-2ECO-D
	RMJ-ECO32-DV-B
	FCJ/FCJS-ECO
	QSN-1ECO-S
	QSN-2ECO-S
	EcoSystem ESN
	Grafik Eye QS with EcoSystem
	Quantum

NOTE: Wiring diagrams are examples of typical installations intended to illustrate the number of wires that must be run to fixture. These diagrams are not intended to specify all equipment necessary for a given dimming circuit. Refer to specific dimmer manufacturer's documentation for details.

L3- LUTRON FADE-TO-BLACK DRIVER EcoSystem DIMMING



IMPORTANT SAFETY INSTRUCTIONS - SAVE THESE INSTRUCTIONS

1. Keep these instructions in a safe place for future reference.
2. Only qualified electricians in accordance to local codes should install these fixtures
3. De-energize the electrical circuit at the circuit breaker prior to installation process or servicing.
4. Make sure all connections are in accordance with the National Electrical Code and any local regulations.
5. Cap any wires not used separately (not together).

Project: _____
 Type: _____
 Note: _____

ACROBAT 2" LED DOWNLIGHT

DIMMING DRIVER COMPATIBILITY

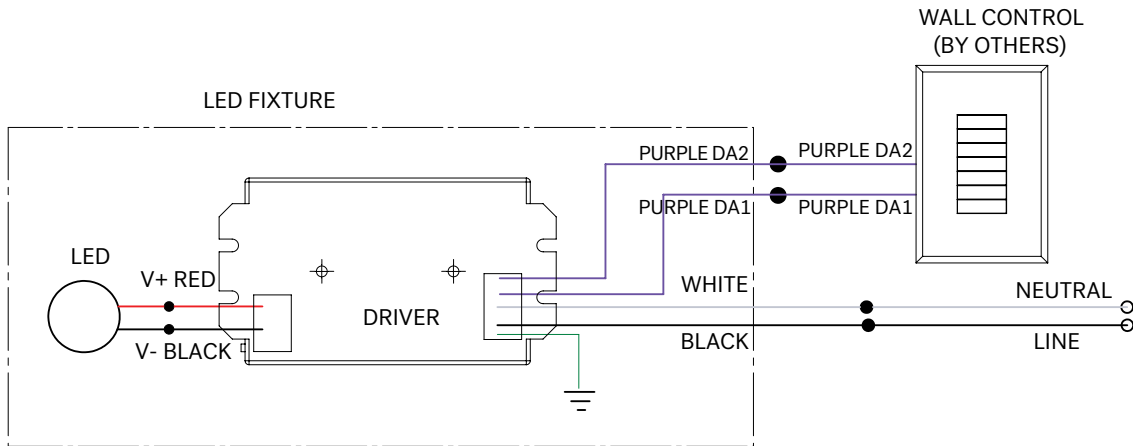
DIMMER LIST

"EL1" eldoLED DALI 1%

DIMMER INFORMATION	
MANUFACTURER	PRODUCT
	DALI Controls

NOTE: Wiring diagrams are examples of typical installations intended to illustrate the number of wires that must be run to fixture. These diagrams are not intended to specify all equipment necessary for a given dimming circuit. Refer to specific dimmer manufacturer's documentation for details.

EL1- eldoLED DRIVER
DALI DIMMING



IMPORTANT SAFETY INSTRUCTIONS - SAVE THESE INSTRUCTIONS

1. Keep these instructions in a safe place for future reference.
2. Only qualified electricians in accordance to local codes should install these fixtures
3. De-energize the electrical circuit at the circuit breaker prior to installation process or servicing.
4. Make sure all connections are in accordance with the National Electrical Code and any local regulations.
5. Cap any wires not used separately (not together).

Project: _____
 Type: _____
 Note: _____

ACROBAT 2" LED DOWNLIGHT

DIMMING DRIVER COMPATIBILITY

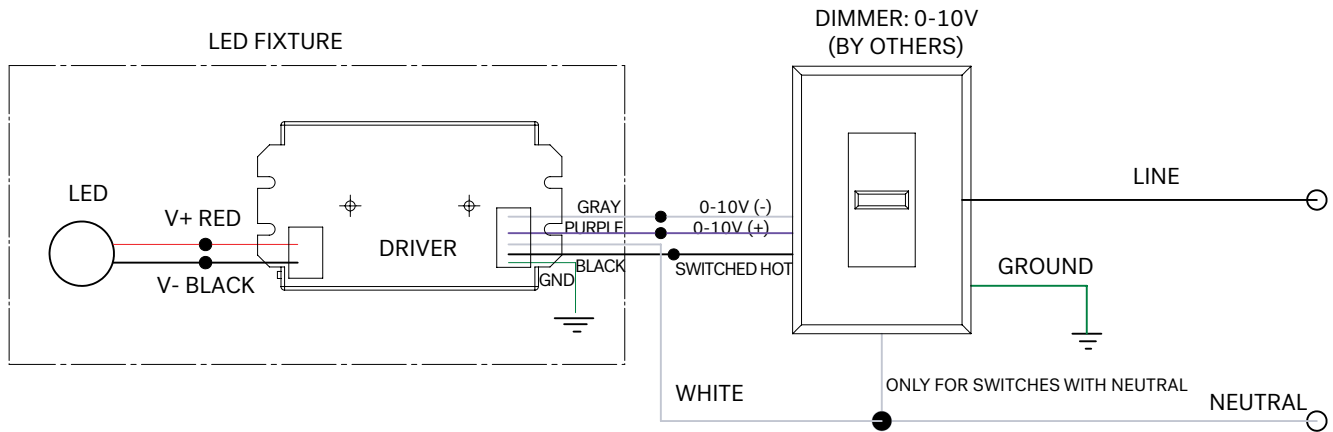
DIMMER LIST

"EL2" eLdoLED 0-10V 1%

DIMMER INFORMATION	
MANUFACTURER	PRODUCT
Leviton	IP740-DLZ
Lightolier	ZP600FAM120
Lutron	DVTV
	NTFTV
	NFTV
Crestron	CLS-EXP-DIMFLV
	DIN-4DIMFLV4
	DIN-A08
	GLX-DIMFLV8

NOTE: Wiring diagrams are examples of typical installations intended to illustrate the number of wires that must be run to fixture. These diagrams are not intended to specify all equipment necessary for a given dimming circuit. Refer to specific dimmer manufacturer's documentation for details.

EL2- eLdoLED DRIVER 0-10V DIMMING



IMPORTANT SAFETY INSTRUCTIONS - SAVE THESE INSTRUCTIONS

1. Keep these instructions in a safe place for future reference.
2. Only qualified electricians in accordance with local codes should install these fixtures
3. De-energize the electrical circuit at the circuit breaker prior to installation process or servicing.
4. Make sure all connections are in accordance with the National Electrical Code and any local regulations.
5. Cap any wires not used separately (not together).

Project: _____
 Type: _____
 Note: _____

ACROBAT 2" LED DOWNLIGHT

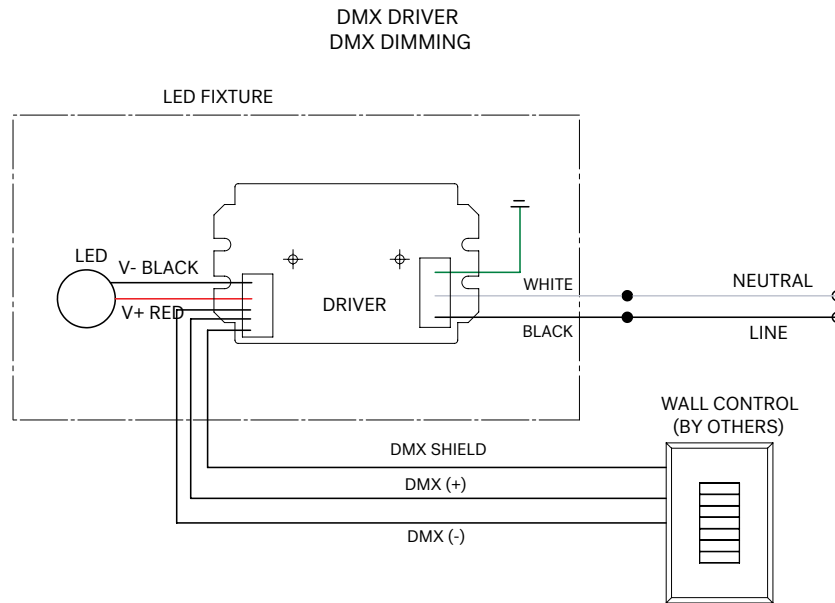
DIMMING DRIVER COMPATIBILITY

DIMMER LIST

"DMX" Moons

DIMMER INFORMATION	
MANUFACTURER	PRODUCT
	DMX Controls

NOTE: Wiring diagrams are examples of typical installations intended to illustrate the number of wires that must be run to fixture. These diagrams are not intended to specify all equipment necessary for a given dimming circuit. Refer to specific dimmer manufacturer's documentation for details.



IMPORTANT SAFETY INSTRUCTIONS - SAVE THESE INSTRUCTIONS

1. Keep these instructions in a safe place for future reference.
2. Only qualified electricians in accordance to local codes should install these fixtures
3. De-energize the electrical circuit at the circuit breaker prior to installation process or servicing.
4. Make sure all connections are in accordance with the National Electrical Code and any local regulations.
5. Cap any wires not used separately (not together).