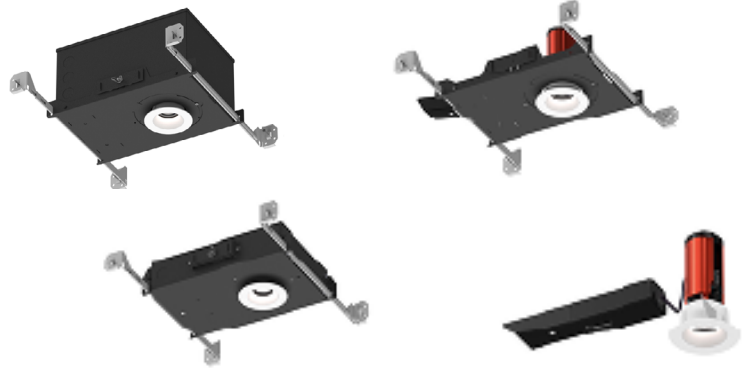


Project: \_\_\_\_\_  
 Type: \_\_\_\_\_  
 Note: \_\_\_\_\_

## ACROBAT 1" LED DOWNLIGHT



SILENT VU™ OPTICS TECHNOLOGY	
OPTICS	10°, 30°, 50°, 80° Field Changeable
ADJUSTABLE	0° to 30° tilt (Adjustable housings only)
MEDIA	Clear, Solite, Frosted, Linear Spread, Hex Louver

POWER SUPPLY	
INPUT VOLTAGE	120-277V, 50/60Hz
DIMMING	Multiple dimming drivers available
SERVICABILITY	Below ceiling access (Above ceiling access required when using L3, EL1, EL2, DMX drivers)

LED LIGHT ENGINE	
RATED WATTAGES	10W or 15W
DELIVERED LUMENS	Up to 1197 lm @4000K
EFFICACY	Up to 81.5 LPW @4000K
CCT @ 90CRI	2700K, 3000K, 3500K, 4000K, Warm Dim
COLOR QUALITY	90+ CRI, 2-Step SDCM
LED LIFETIME	55,000 hours @ L90

### TRIM OPTIONS

- Fixed or Adjustable
- Round or Square
- Standard or Trimless
- Pinhole, Slot Pinhole
- Wet Location

### TRIM COLORS

- White
- Black
- Champagne
- Satin Aluminum
- Custom Color

### REFLECTOR COLORS

- White
- Black
- Champagne
- Satin Aluminum
- Custom Color
- Clear Alzak

DELIVERED LUMENS MATRIX					
		10° OPTIC	30° OPTIC	50° OPTIC	80° OPTIC
10 Watt	2700K (90CRI)	683 lm	729 lm	652 m	606 lm
	3000K (90CRI)	724 lm	772 lm	691 lm	643 lm
	3500K (90CRI)	765 lm	816 lm	730 lm	679 lm
	4000K (90CRI)	786 lm	839 lm	751 lm	698 lm
	Warm Dim (98CRI)	492 lm	526 lm	472 lm	359 lm
15 Watt	2700K (90CRI)	975 lm	1040 lm	931 lm	865 lm
	3000K (90CRI)	1033 lm	1102 lm	986 lm	917 lm
	3500K (90CRI)	1091 lm	1164 lm	1041 lm	968 lm
	4000K (90CRI)	1122 lm	1197 lm	1071 lm	996 lm
	Warm Dim (98CRI)	763 lm	815 lm	732 lm	557 lm

### HOUSING

- New Construction includes (2) galvanized steel adjustable hanger bars
- Remodel option available
- 5/8"-2" ceiling thickness
- Min Plenum Height: 2 1/2" Shallow, 5 1/2" Adjustable
- Ceiling Material: Drywall, T-bar grid, Premium Acoustic Tile  
 Note: ACT option adds a collar that allows use with low rigidity Premium Acoustic Tile ceilings.
- Steel junction box with up to (6) 1/2" knockouts
- IC, SIC models are Air Tight.
- IC, SIC models are CCEA (Chicago Plenum) compliant.  
 (Note: polycell spray-in foam insulation must be kept 3" from housing)

### LISTING/WARRANTY

- cULus Listed for 40°C Ambient
- IC Rated and Non IC Rated Available
- CCEA Approved for IC Rated Housings
- Five (5) years limited warranty
- UL Listed for Damp Location (All Styles)
- UL Listed for Wet Location (Wet Location Trim Style)
- CA Title 24-JA8 Compliant
- ASTM E283 Certified Airtight for IC Rated Housings



Project: \_\_\_\_\_

Type: \_\_\_\_\_

Note: \_\_\_\_\_

## ACROBAT 1" LED DOWNLIGHT

### ORDER MATRIX

#### A1-IC, A1-NC, A1-RM

#### 1" NEW CONSTRUCTION/REMODEL HOUSING (Example: A1-IC-RST-10S-SHB)

HOUSING BASE			
FAMILY APERTURE	INSTALLATION TYPE	TRIM SHAPE	TRIM STYLE
<b>A1-</b> Acrobat 1"	<b>IC<sup>7</sup></b> Adjustable New Construction, IC, CCEA	<b>-R</b> Round	<b>ST</b> Standard
	<b>NC<sup>7</sup></b> Adjustable New Construction	<b>-S</b> Square	<b>TL</b> Trimless
	<b>RM</b> Adjustable Remodel		<b>ACT1<sup>7</sup></b> (Premium) Acoustic Tile 5/8" - 1 1/4" <b>ACT2<sup>7</sup></b> (Premium) Acoustic Tile 1 1/4" to 2"
DRIVER ASSEMBLY			
WATTAGE	LED DIMMING DRIVER	HANGER BAR	WARM DIM
<b>-10</b> 10 Watt	<b>S<sup>5</sup></b> Universal Dim Driver: 1%-100% 0-10V, TRIAC, ELV, 120V/277V	<b>-SHB</b> Standard	(blank) Standard
<b>-15<sup>1</sup></b> 15 Watt	<b>L3<sup>2,3,4</sup></b> Lutron Hi-Lume® Dim Driver: 1%-100% EcoSystem, 120V/277V	<b>-C24</b> 24" C-Channel	<b>-WD<sup>6</sup></b> Warm Dim
	<b>EL1<sup>2,3</sup></b> EldoLED DALI Dim: 1%-100% DALI, 120V/277V	<b>-C48</b> 48" C-Channel	
	<b>EL2<sup>2,3</sup></b> EldoLED Dim: 1%-100% 0-10V, 120V/277V	Hanger bars not included with RM housings	
	<b>DMX<sup>2,3</sup></b> DMX Dim: 1%-100% DMX, 120V/277V		
REMOTE LED DIMMING DRIVER			
	<b>SR1<sup>5</sup></b> Remote Universal Dim: 1%-100% 0-10V, TRIAC, or ELV, 120V/277V		

1. 15W option only available for NC (Adjustable New Construction), RM (Adjustable Remodel) housings.

2. Driver access above ceiling only.

3. Driver only available for IC and NC housings.

4. Ambient temperature rated for 25°C

5. TRIAC, ELV dimming for 120V only.

6. WD CCT must also be selected in Module section.

7. For use with Premium low rigidity Acoustic Tile ceilings.

Only offered with ST Trim Style. Only applicable for IC or NC Installation Types.

#### 1" NEW CONSTRUCTION/REMODEL TRIM (Example: A1-2790-RSTWT-STWTNL-30)

FAMILY APERTURE	LED PERFORMANCE		TRIM		
	CCT	CRI	TRIM SHAPE	TRIM STYLE	TRIM FINISH
<b>A1-</b> Acrobat 1"	<b>-27</b> 2700K	<b>90</b> 90 CRI	<b>-R</b> Round	<b>ST</b> Standard	<b>TL</b> Trimless
	<b>-30</b> 3000K		<b>-S</b> Square	<b>TL</b> Trimless	<b>WT</b> White
	<b>-35</b> 3500K		<b>ACT</b> (Premium) Acoustic Tile	<b>BK</b> Black	
	<b>-40</b> 4000K		<b>CN</b> Champagne		
	<b>-WD<sup>5</sup></b> 1800K-3000K		<b>SA</b> Satin Aluminum		
	<b>CC<sup>1</sup></b> Custom Color				
REFLECTOR			OPTIC AND MEDIA		
REFLECTOR STYLE	REFLECTOR FINISH	REFLECTOR LENS	OPTIC	MEDIA 1	MEDIA 2
<b>-ST<sup>2</sup></b> Standard	<b>WT</b> White	<b>NL</b> No Lens	<b>-10</b> 10° Spot	(blank) None	(blank) None
<b>-PH<sup>2</sup></b> Pinhole	<b>BK</b> Black	<b>CL<sup>6</sup></b> Clear	<b>-30</b> 30° Narrow Flood	<b>CL<sup>6</sup></b> Clear Lens	<b>CL<sup>6</sup></b> Clear Lens
<b>-SP<sup>2</sup></b> Slot Pinhole	<b>CA<sup>3</sup></b> Clear Alzak	<b>MP<sup>6</sup></b> Solite	<b>-50</b> 50° Flood	<b>MP<sup>6</sup></b> Solite Lens	<b>MP<sup>6</sup></b> Solite Lens
<b>-SW<sup>6</sup></b> Wall Wash	<b>CN</b> Champagne	<b>FR<sup>6</sup></b> Frosted	<b>-80</b> 80° Wide Flood	<b>FR<sup>6</sup></b> Frosted Lens	<b>FR<sup>6</sup></b> Frosted Lens
	<b>SA</b> Satin Aluminum			<b>LS<sup>6</sup></b> Linear Spread Lens	<b>LS<sup>6</sup></b> Linear Spread Lens
	<b>CC<sup>1</sup></b> Custom Color			<b>HX<sup>4,6</sup></b> Hex Louver	

1. Custom color only available for ST (Standard) Trim and ST (Standard) Reflector only. Contact CSL for details.

2. Wet Location rated when used with Reflector Lens.

3. CA (Clear Alzak) Finish only available for R (Round), ST (Standard) Reflector.

4. Cannot be used with a second Media.

5. Media 1 lens required. For WD with 10°, 30°, 50° Optic use MP (Solite Lens). For WD with 80° Optic use FR (Frosted Lens).

6. Reflector and Media Lenses cannot be added with Wall Wash selection.

Project: \_\_\_\_\_  
 Type: \_\_\_\_\_  
 Note: \_\_\_\_\_

# ACROBAT 1" LED DOWNLIGHT

## ORDER MATRIX

### A1-SIC, A1-SNC

#### 1" SHALLOW PLENUM NEW CONSTRUCTION HOUSING (Example: A1-SIC-RST-02790-30-10S-SHB)

HOUSING BASE						
FAMILY APERTURE	INSTALLATION TYPE		TRIM SHAPE		TRIM STYLE	
<b>A1-</b> Acrobat 1"	<b>SIC</b>	Shallow Plenum New Construction, IC, CCEA	<b>-R</b>	Round	<b>ST</b>	Standard
	<b>SNC</b>	Shallow Plenum New Construction	<b>-S</b>	Square	<b>TL</b>	Trimless
CEILING	LED PERFORMANCE			OPTIC AND MEDIA		
CEILING THICKNESS	CCT	CRI	OPTIC		MEDIA 1	MEDIA 2
<b>-0</b> ¾" Ceiling Thickness	<b>27</b> 2700K	<b>90</b> 90 CRI	<b>-10</b>	10° Spot	(blank) None	(blank) None
<b>-1</b> 1¼" Ceiling Thickness	<b>30</b> 3000K		<b>-30</b>	30° Narrow Flood	<b>CL<sup>5</sup></b>	<b>CL<sup>5</sup></b> Clear Lens
<b>-2</b> 2" Ceiling Thickness	<b>35</b> 3500K		<b>-50</b>	50° Flood	<b>MP<sup>5</sup></b>	<b>MP<sup>5</sup></b> Solite Lens
	<b>40</b> 4000K		<b>-80</b>	80° Wide Flood	<b>FR<sup>5</sup></b>	<b>FR<sup>5</sup></b> Frosted Lens
	<b>WD<sup>3</sup></b> 1800K-3000K				<b>LS<sup>5</sup></b>	<b>LS<sup>5</sup></b> Linear Spread Lens
					<b>HX<sup>1,5</sup></b>	<b>HX<sup>1,5</sup></b> Hex Louver
DRIVER ASSEMBLY						
WATTAGE	LED DIMMING DRIVER			HANGER BAR		
<b>-10</b> 10 Watt	<b>S<sup>4</sup></b>	Universal Dim Driver: 1%-100% 0-10V, TRIAC, ELV, 120V/277V		<b>-SHB</b>	Standard	
	<b>-15<sup>2</sup></b> 15 Watt	<b>REMOTE LED DIMMING DRIVER</b>			<b>-C24</b>	24" C-Channel
	<b>SR1<sup>4</sup></b>	Remote Universal Dim: 1%-100% 0-10V, TRIAC, or ELV, 120V/277V		<b>-C48</b>	48" C-Channel	

1. Cannot be used with a second media.  
 2. 15W option only available for SNC (Shallow Plenum New Construction) only.  
 3. Media 1 lens required. For WD with 10°, 30°, 50° Optic use MP (Solite Lens).  
 For WD with 80° Optic use FR (Frosted Lens).  
 4. TRIAC, ELV dimming for 120V only.  
 5. Media Lens not available with Wall Wash selection.

#### 1" SHALLOW PLENUM NEW CONSTRUCTION TRIM (Example: A1-RSTWT-STWT-NL)

TRIM				REFLECTOR			
FAMILY APERTURE	TRIM SHAPE	TRIM STYLE	TRIM FINISH	REFLECTOR STYLE	REFLECTOR FINISH	REFLECTOR LENS	
<b>A1-</b> Acrobat 1"	<b>R</b> Round	<b>ST</b>	Standard	<b>TL</b>	Trimless	<b>-NL</b>	No Lens
		<b>TL</b>	Trimless	<b>WT</b>	White	<b>-CL<sup>4</sup></b>	Clear
	<b>S</b> Square	<b>WT</b>	White	<b>-PH<sup>2</sup></b>	Pinhole	<b>BK</b>	Black
		<b>BK</b>	Black	<b>-SP<sup>2</sup></b>	Slot Pinhole	<b>CA<sup>3</sup></b>	Clear Alzak
		<b>CN</b>	Champagne	<b>-SW<sup>4</sup></b>	Wall Wash	<b>CN</b>	Champagne
		<b>SA</b>	Satin Aluminum	<b>SA</b>	Satin Aluminum	<b>-FR<sup>4</sup></b>	Frosted
<b>CC<sup>1</sup></b>	Custom Color	<b>CC<sup>1</sup></b>	Custom Color				

1. Custom color only available for ST (Standard) Trim and ST (Standard) Reflector only.  
 Contact CSL for details.  
 2. Wet Location rated when used with Reflector Lens.  
 3. CA (Clear Alzak) Finish only available for R (Round), ST (Standard) Reflector.  
 4. Reflector and Media Lenses cannot be added with Wall Wash selection.

#### EMERGENCY OPTIONS

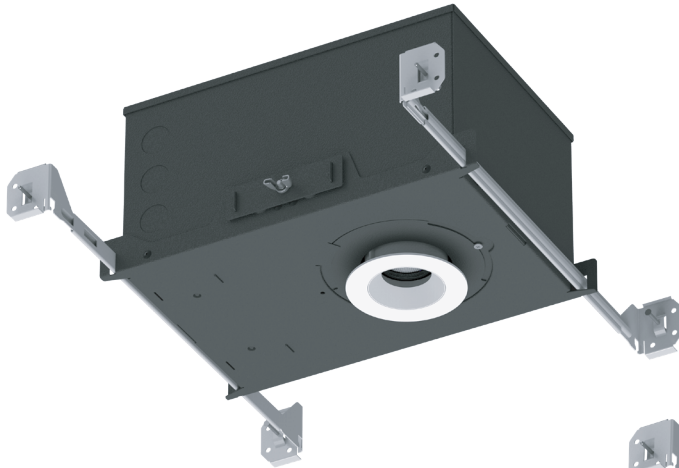
<b>EM-1000</b> 25W Remote Inverter	<b>EM-1003-CA</b> 35W Remote Inverter - Title 20	<b>EM-1006</b> 25W Remote Inverter - Title 20
<b>EM-1002</b> 10W Remote Emergency Driver - Title 20	<b>EM-1004</b> 50W Remote Inverter	

## ACROBAT 1" LED DOWNLIGHT

### HOUSING AND LIGHT ENGINE LINE DRAWINGS

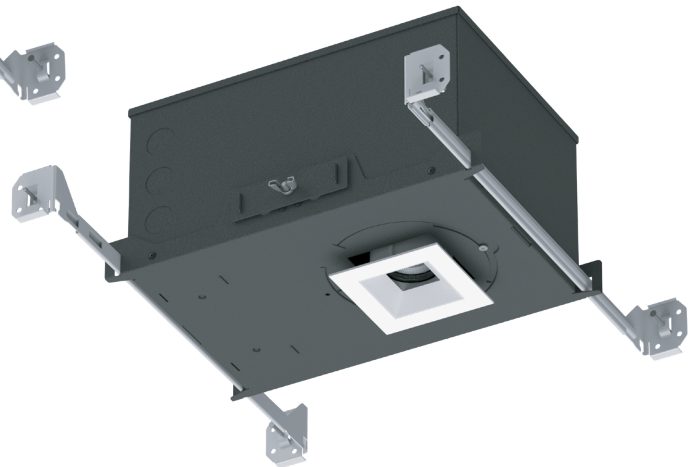
#### A1-IC

#### New Construction IC Housing



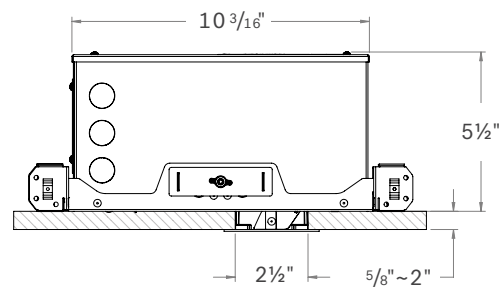
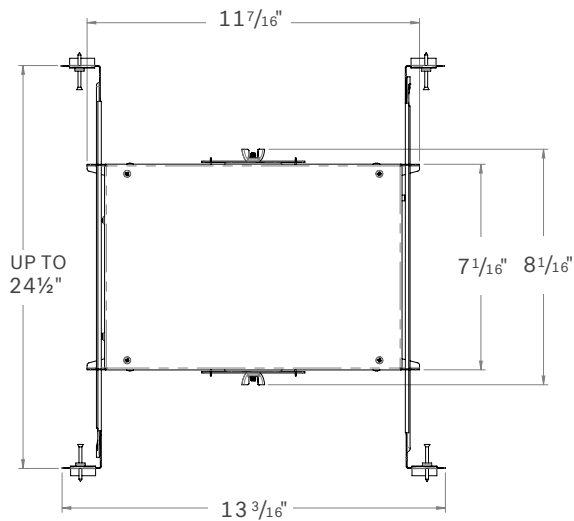
**A1-IC-R**

Acrobat 1" - Adjustable New Construction IC Housing  
Round with Round Trim



**A1-IC-S**

Acrobat 1" - Adjustable New Construction IC Housing  
Square with Square Trim

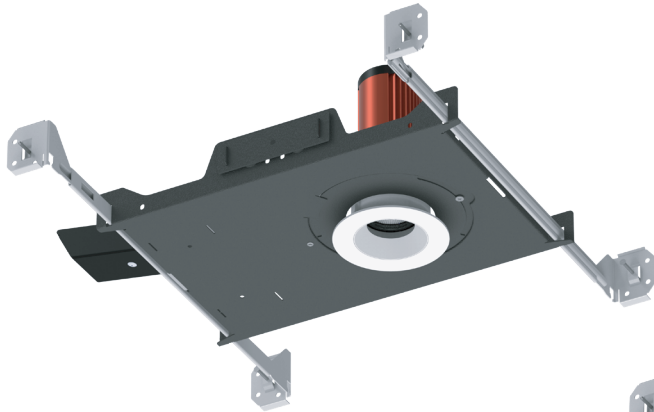


## ACROBAT 1" LED DOWNLIGHT

### HOUSING AND LIGHT ENGINE LINE DRAWINGS

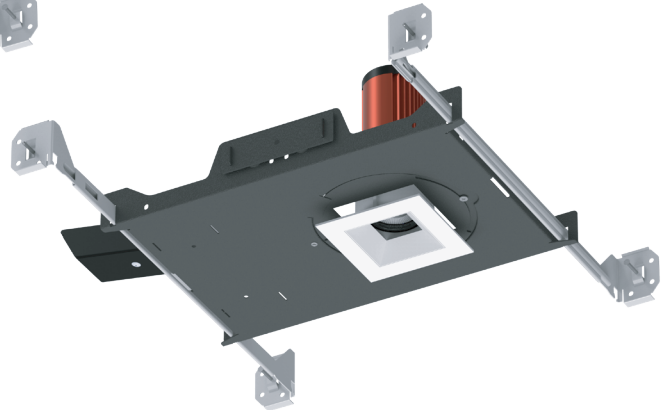
#### A1-NC

#### New Construction Housing



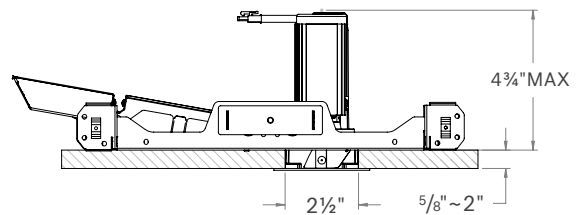
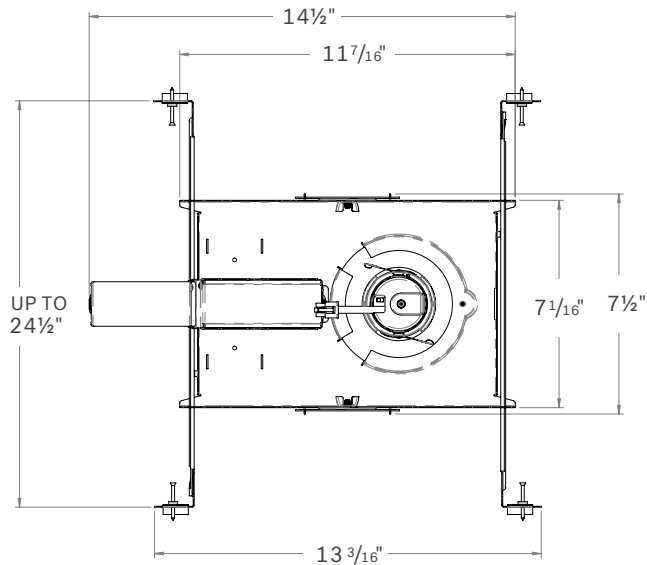
**A1-NC-R**

Acrobat 1" - Adjustable New Construction Housing  
Round with Round Trim



**A1-NC-S**

Acrobat 1" - Adjustable New Construction Housing  
Square with Square Trim

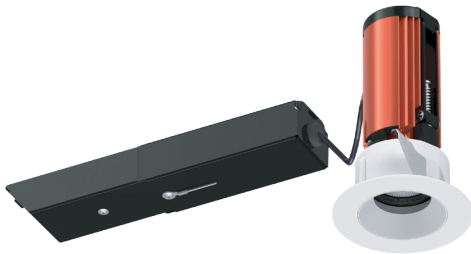


## ACROBAT 1" LED DOWNLIGHT

### HOUSING AND LIGHT ENGINE LINE DRAWINGS

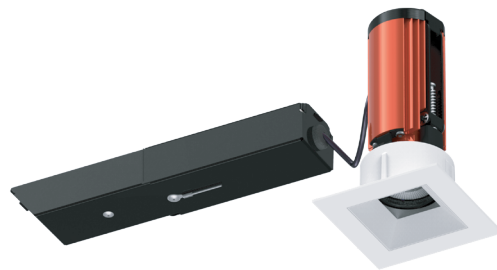
#### A1-RM

#### Remodel Housing



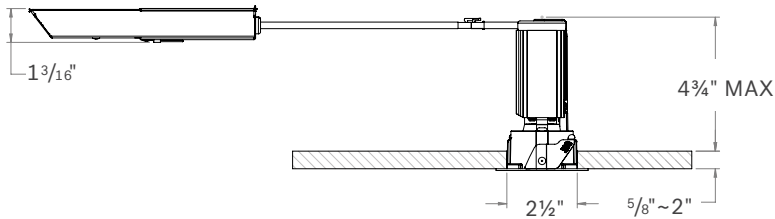
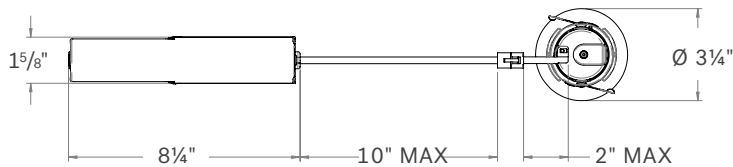
**A1-RM-R**

Acrobat 1" - Adjustable Remodel Housing  
Round with Round Trim



**A1-RM-S**

Acrobat 1" - Adjustable Remodel Housing  
Square with Square Trim



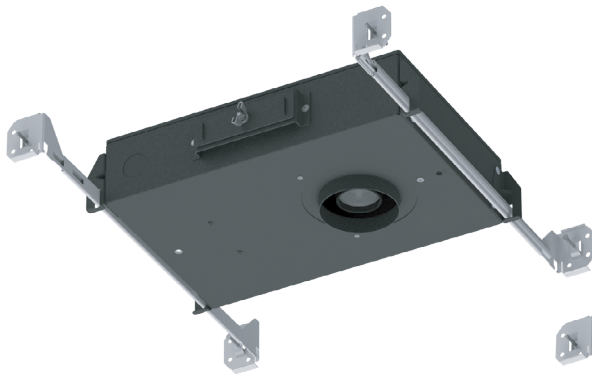
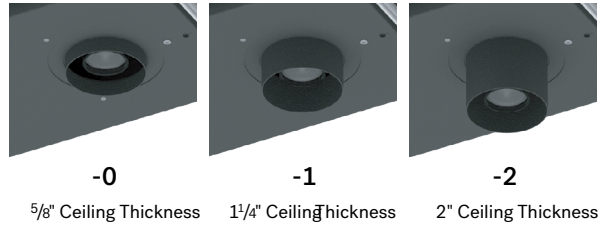
Project: \_\_\_\_\_  
 Type: \_\_\_\_\_  
 Note: \_\_\_\_\_

ACROBAT 1" LED DOWNLIGHT

HOUSING AND LIGHT ENGINE LINE DRAWINGS

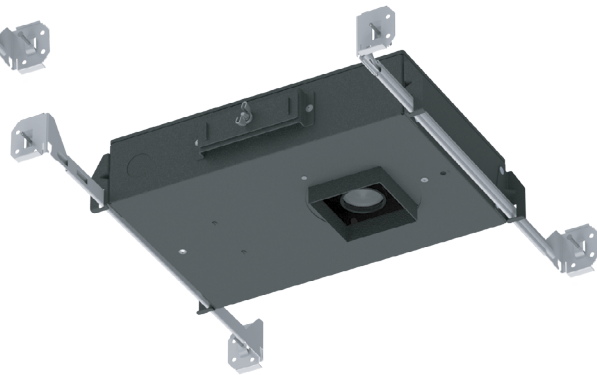
A1-SIC, A1-SNC  
 Shallow Plenum Housing

CEILING THICKNESS



**A1-SIC-R**

Acrobat 1" - Shallow Plenum New Construction IC Housing Round



**A1-SIC-S**

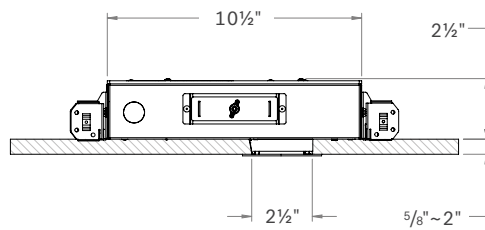
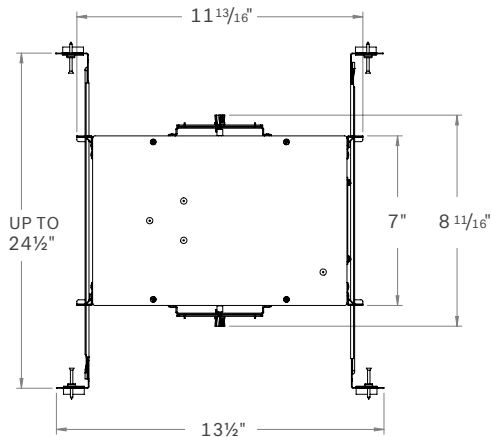
Acrobat 1" - Shallow Plenum New Construction IC Housing Square

**A1-SNC-R**

Acrobat 1" - Shallow Plenum New Construction Housing Round

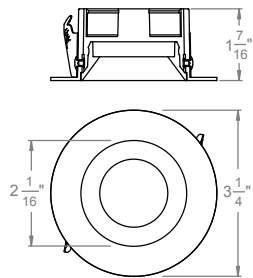
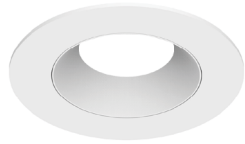
**A1-SNC-S**

Acrobat 1" - Shallow Plenum New Construction Housing Square

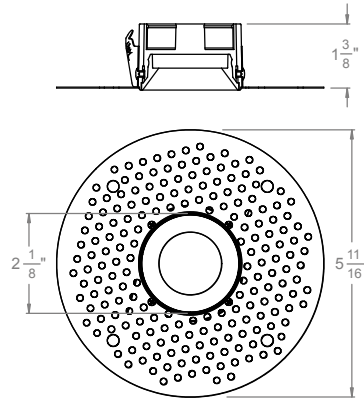


# ACROBAT 1" LED DOWNLIGHT

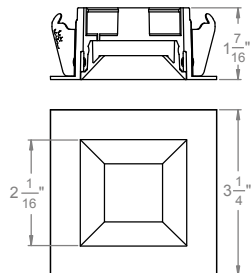
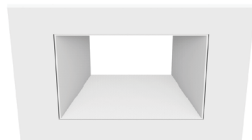
## TRIM STYLES



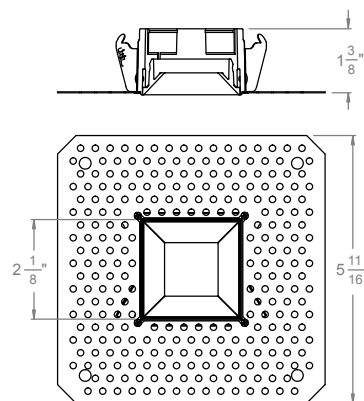
**RST**  
1" Acrobat Round Standard Trim  
(with Standard Reflector)



**RTL**  
1" Acrobat Round Trimless Mud Plate  
(with Standard Reflector)



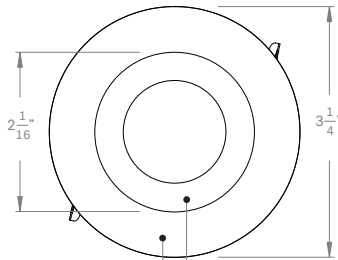
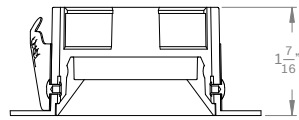
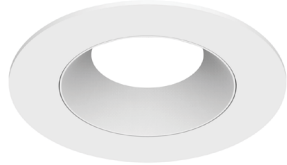
**SST**  
1" Acrobat Square Standard Trim  
(with Standard Reflector)



**STL**  
1" Acrobat Square Trimless Mud Plate  
(with Standard Reflector)

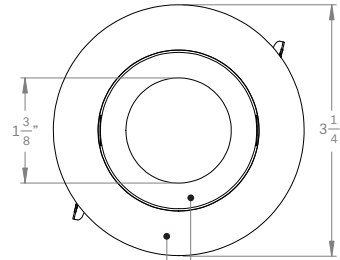
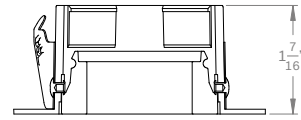
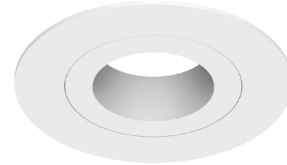
# ACROBAT 1" LED DOWNLIGHT

## REFLECTOR STYLE (ROUND)



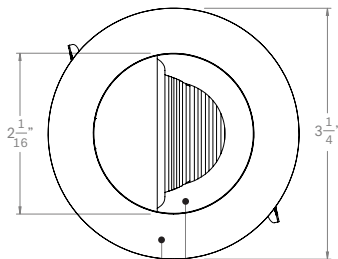
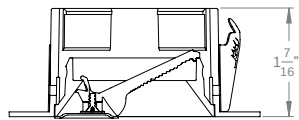
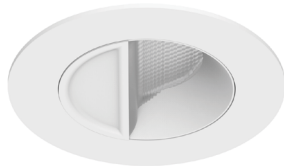
Trim Reflector  
RST -ST

1" Acrobat Round Standard Trim with Standard Reflector



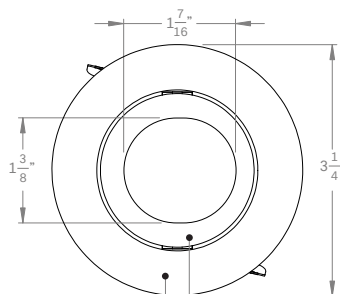
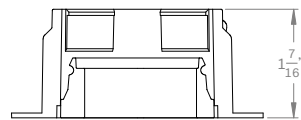
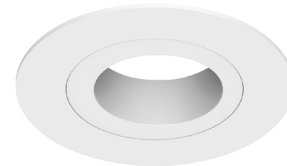
Trim Reflector  
RST -PH

1" Acrobat Round Standard Trim with Pinhole Reflector



Trim Reflector  
RST -SW

1" Acrobat Round Standard Trim with Wall Wash Reflector

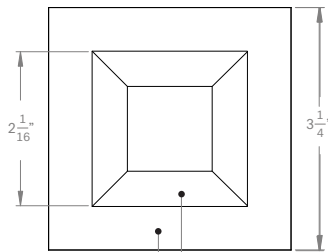
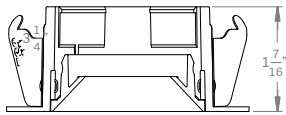
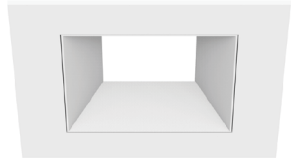


Trim Reflector  
RST -SP

1" Acrobat Round Standard Trim with Slot Pinhole Reflector

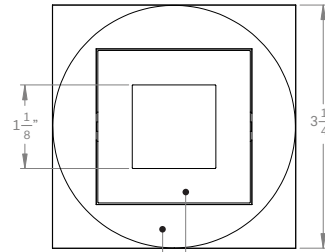
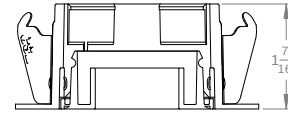
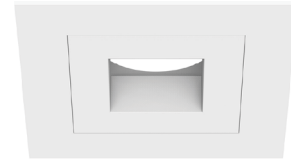
# ACROBAT 1" LED DOWNLIGHT

## REFLECTOR STYLE (SQUARE)



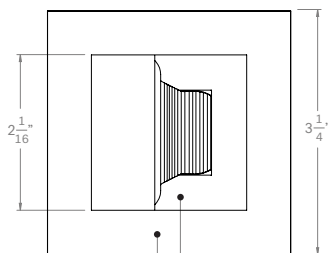
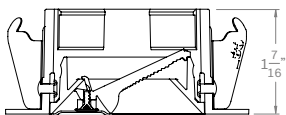
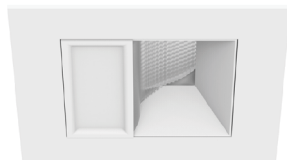
Trim Reflector  
SST -ST

1" Acrobat Square Standard Trim with Standard Reflector



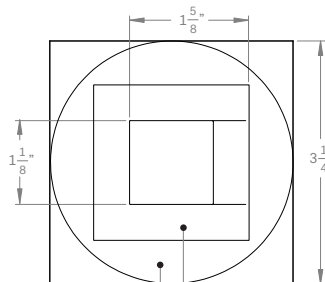
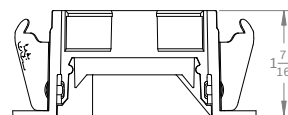
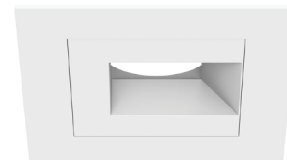
Trim Reflector  
SST -PH

1" Acrobat Square Standard Trim with Pinhole Reflector



Trim Reflector  
SST -SW

1" Acrobat Square Standard Trim with Wall Wash Reflector



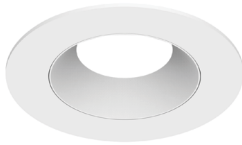
Trim Reflector  
SST -SP

1" Acrobat Square Standard Trim with Slot Pinhole Reflector

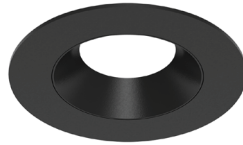
Project: \_\_\_\_\_  
 Type: \_\_\_\_\_  
 Note: \_\_\_\_\_

ACROBAT 1" LED DOWNLIGHT

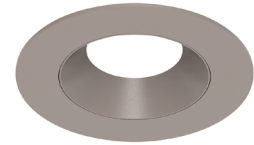
TRIM FINISHES



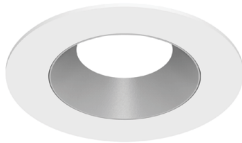
**RSTWT-STWT**  
 WT White Trim  
 WT White Reflector



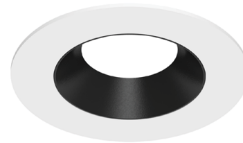
**RSTBK-STBK**  
 BK Black Trim  
 BK Black Reflector



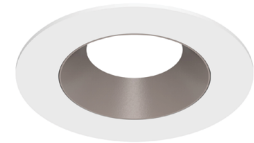
**RSTCN-STCN**  
 CN Champagne Trim  
 CN Champagne Reflector



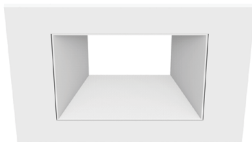
**RSTWT-STSA**  
 WT White Trim  
 SA Satin Aluminum



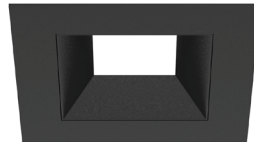
**RSTWT-STBK**  
 WT White Trim  
 BK Black Reflector



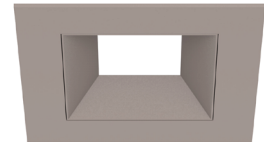
**RSTWT-STCN**  
 WT White Trim  
 CN Champagne Reflector



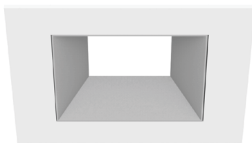
**SSTWT-STWT**  
 WT White Trim  
 WT White Reflector



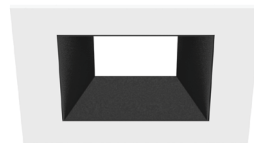
**SSTBK-STBK**  
 BK Black Trim  
 BK Black Reflector



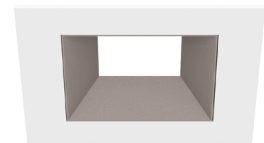
**SSTCN-STCN**  
 CN Champagne Trim  
 CN Champagne Reflector



**SSTWT-STSA**  
 WT White Trim  
 SA Satin Aluminum



**SSTWT-STBK**  
 WT White Trim  
 BK Black Reflector



**SSTWT-STCN**  
 WT White Trim  
 CN Champagne Reflector

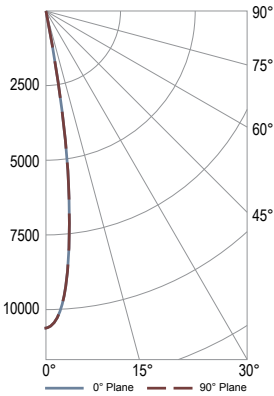
Project: \_\_\_\_\_  
 Type: \_\_\_\_\_  
 Note: \_\_\_\_\_

## ACROBAT 1" LED DOWNLIGHT

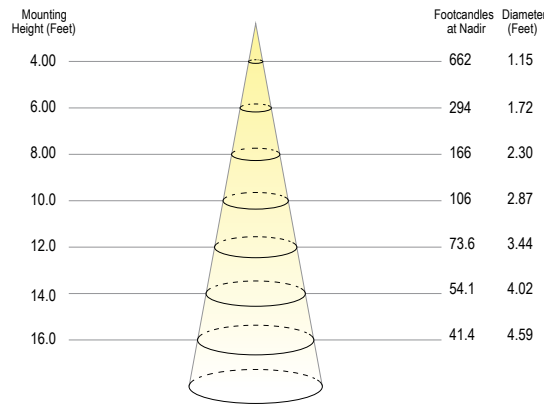
### PHOTOMETRICS

#### Acrobat Downlight 1" NC, RM Models (2700K, 90 CRI, 10° Optic, 15W) Round, Standard, White Trim

Polar Plot



Cone of Light Tabulation



VOLTAGE	CURRENT	POWER
120.1 VAC	0.1490 A	17.60W

POWER FACTOR	FREQUENCY	CURRENT THD
0.984	60 Hz	16.1%

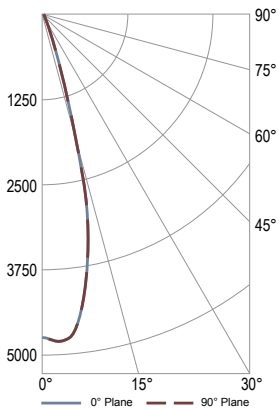
Summary of Results

Spacing Criteria	Total Lumen Output:	975 Lumens
0-180: 0.29	Luminaire Efficacy:	55.4 lm/w
90-270: 0.29	Maximum Candela:	10596 Candela

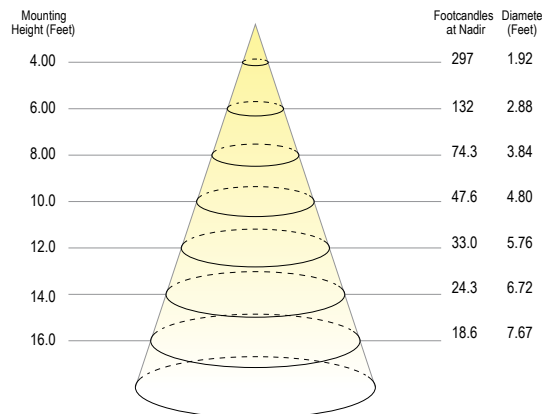
ZONE	LUMENS	% OF LUMINAIRE
0-40	968	99.3%
0-60	973	99.8%
0-90	975	100%

#### Acrobat Downlight 1" NC, RM Models (2700K, 90 CRI, 30° Optic, 15W) Round, Standard, White Trim

Polar Plot



Cone of Light Tabulation



VOLTAGE	CURRENT	POWER
120.1 VAC	0.1490 A	17.60W

POWER FACTOR	FREQUENCY	CURRENT THD
0.984	60 Hz	16.1%

Summary of Results

Spacing Criteria	Total Lumen Output:	1040 Lumens
0-180: 0.48	Luminaire Efficacy:	59.1 lm/w
90-270: 0.48	Maximum Candela:	4979 Candela

ZONE	LUMENS	% OF LUMINAIRE
0-40	1035	99%
0-60	1040	100%
0-90	1040	100%

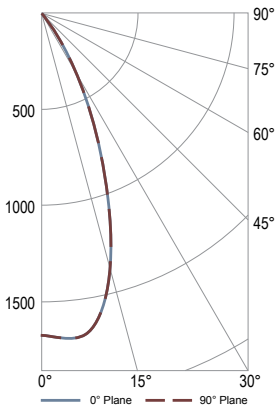
Project: \_\_\_\_\_  
 Type: \_\_\_\_\_  
 Note: \_\_\_\_\_

## ACROBAT 1" LED DOWNLIGHT

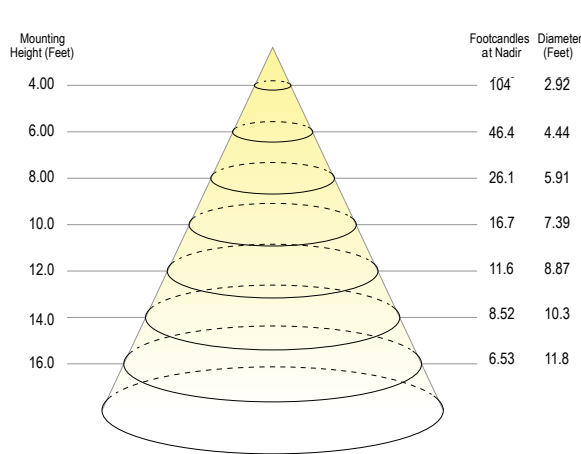
### PHOTOMETRICS

**Acrobat Downlight 1" NC, RM Models (2700K, 90 CRI, 50° Optic, 15W)**  
 Round, Standard, White Trim

Polar Plot



Cone of Light Tabulation



VOLTAGE	CURRENT	POWER
120.1 VAC	0.1494 A	17.65W

POWER FACTOR	FREQUENCY	CURRENT THD
0.984	60 Hz	16.1%

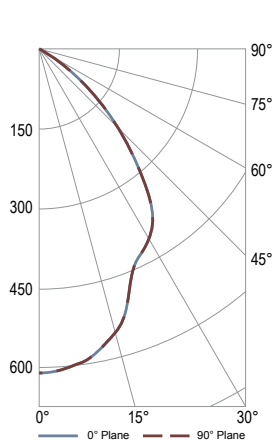
**Summary of Results**

<b>Spacing Criteria</b>	<b>Total Lumen Output:</b>	931 Lumens
<b>0-180: 0.74</b>	<b>Luminaire Efficacy:</b>	52.7 lm/w
<b>90-270: 0.74</b>	<b>Maximum Candela:</b>	1688 Candela

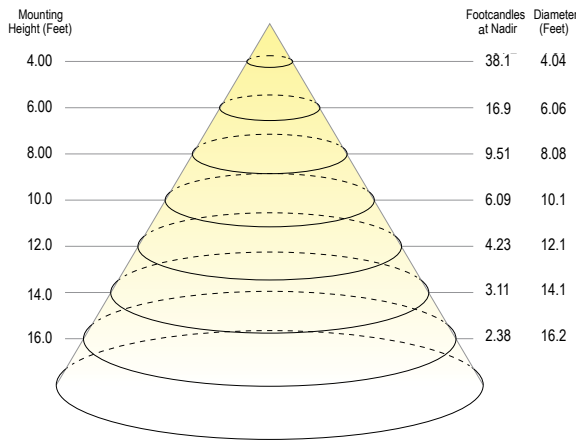
ZONE	LUMENS	% OF LUMINAIRE
0-40	916	98.4%
0-60	929	99.8%
0-90	931	100%

**Acrobat Downlight 1"NC, RM Models (2700K, 90 CRI, 80° Optic, 15W)**  
 Round, Standard, White Trim

Polar Plot



Cone of Light Tabulation



VOLTAGE	CURRENT	POWER
120.0 VAC	0.1490A	17.59W

POWER FACTOR	FREQUENCY	CURRENT THD
0.984	60 Hz	16.1%

**Summary of Results**

<b>Spacing Criteria</b>	<b>Total Lumen Output:</b>	865 Lumens
<b>0-180: 1.01</b>	<b>Luminaire Efficacy:</b>	49.2 lm/w
<b>90-270: 1.01</b>	<b>Maximum Candela:</b>	609 Candela

ZONE	LUMENS	% OF LUMINAIRE
0-40	640	73.9%
0-60	859	99.3%
0-90	865	100%

Project: \_\_\_\_\_  
 Type: \_\_\_\_\_  
 Note: \_\_\_\_\_

# ACROBAT 1" LED DOWNLIGHT

## DIMMING DRIVER COMPATIBILITY

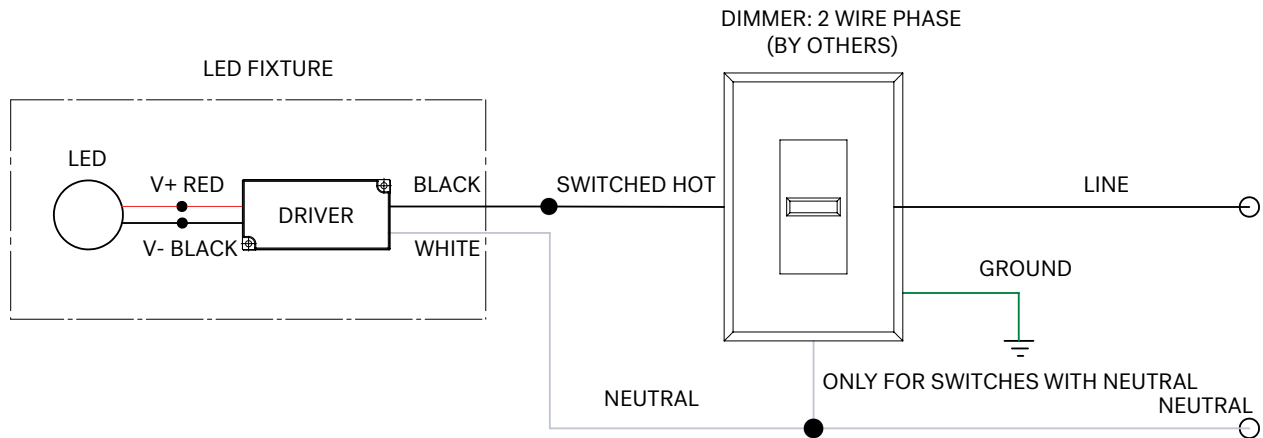
### DIMMER LIST

#### "S" ERP PHASE-CUT DIMMERS

DIMMER INFORMATION			
MANUFACTURER	PRODUCT	MANUFACTURER	PRODUCT
Cooper	DAL06P	Lightolier	ZP260QEW
	DLC03P	Lutron	CT103P
	SLC03P		DV600P
Leviton	6161		DVCL-153P
	6631-2		DVELV303P
	6633-P		FAELV500
	6673-10W		LG600P
	6683-IW		MAELV600
	IPE04		S600P
	IPI06-1LZ		S-603PG
	VPE06		SELV300P
			TG-600P
			TGCL-153P

NOTE: Wiring diagrams are examples of typical installations intended to illustrate the number of wires that must be run to fixture. These diagrams are not intended to specify all equipment necessary for a given dimming circuit. Refer to specific dimmer manufacturer's documentation for details.

### S- ERP DRIVER 2 WIRE PHASE DIMMING



#### IMPORTANT SAFETY INSTRUCTIONS - SAVE THESE INSTRUCTIONS

1. Keep these instructions in a safe place for future reference.
2. Only qualified electricians in accordance to local codes should install these fixtures
3. De-energize the electrical circuit at the circuit breaker prior to installation process or servicing.
4. Make sure all connections are in accordance with the National Electrical Code and any local regulations.
5. Cap any wires not used separately (not together).

Project: \_\_\_\_\_  
 Type: \_\_\_\_\_  
 Note: \_\_\_\_\_

# ACROBAT 1" LED DOWNLIGHT

## DIMMING DRIVER COMPATIBILITY

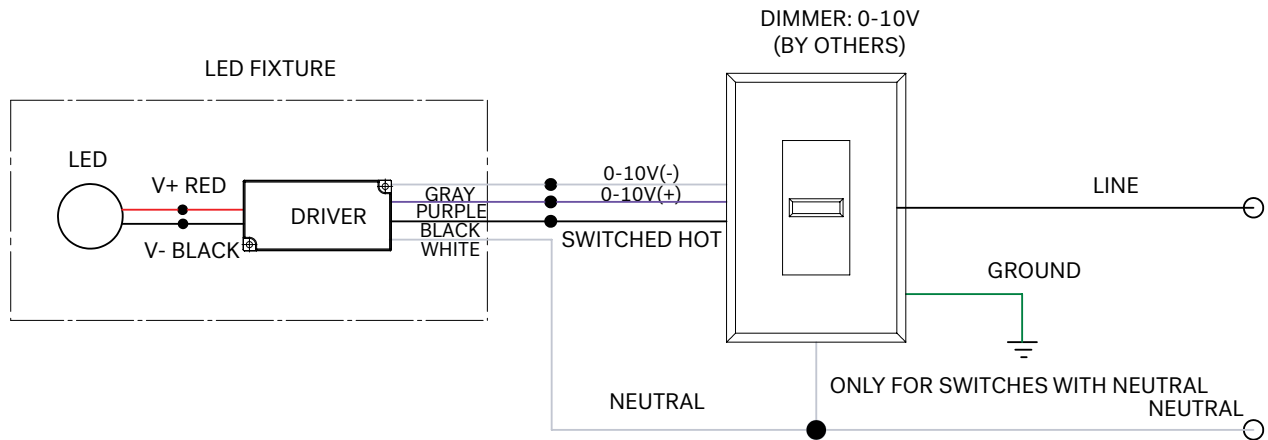
### DIMMER LIST

"S" ERP 0-10V

DIMMER INFORMATION	
MANUFACTURER	PRODUCT
Leviton	IP740-DLZ
Lightolier	ZP600FAM120
	V2000FAMU
Lutron	DVTV
	NTFTV
Crestron	CLS-EXP-DIMFLV
	DIN-4DIMFLV4
	DIN-A08
	GLX-DIMFLV8

NOTE: Wiring diagrams are examples of typical installations intended to illustrate the number of wires that must be run to fixture. These diagrams are not intended to specify all equipment necessary for a given dimming circuit. Refer to specific dimmer manufacturer's documentation for details.

### S-ERP DRIVER 0-10V DIMMING



### IMPORTANT SAFETY INSTRUCTIONS - SAVE THESE INSTRUCTIONS

1. Keep these instructions in a safe place for future reference.
2. Only qualified electricians in accordance to local codes should install these fixtures
3. De-energize the electrical circuit at the circuit breaker prior to installation process or servicing.
4. Make sure all connections are in accordance with the National Electrical Code and any local regulations.
5. Cap any wires not used separately (not together).

Project: \_\_\_\_\_  
 Type: \_\_\_\_\_  
 Note: \_\_\_\_\_

## ACROBAT 1" LED DOWNLIGHT

### DIMMING DRIVER COMPATIBILITY

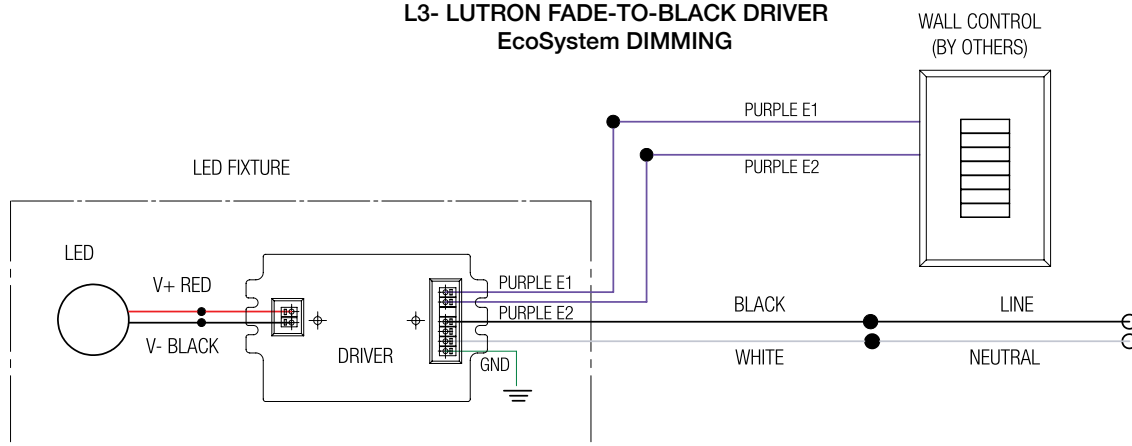
#### DIMMER LIST

##### "L3" LUTRON FADE-TO-BLACK

DIMMER INFORMATION	
MANUFACTURER	PRODUCT
Lutron	LQSE-2ECO-D
	RMJ-ECO32-DV-B
	FCJ/FCJS-ECO
	QSN-1ECO-S
	QSN-2ECO-S
	EcoSystem ESN
	Grafik Eye QS with EcoSystem
	Quantum

NOTE: Wiring diagrams are examples of typical installations intended to illustrate the number of wires that must be run to fixture. These diagrams are not intended to specify all equipment necessary for a given dimming circuit. Refer to specific dimmer manufacturer's documentation for details.

#### L3- LUTRON FADE-TO-BLACK DRIVER EcoSystem DIMMING



#### IMPORTANT SAFETY INSTRUCTIONS - SAVE THESE INSTRUCTIONS

1. Keep these instructions in a safe place for future reference.
2. Only qualified electricians in accordance to local codes should install these fixtures
3. De-energize the electrical circuit at the circuit breaker prior to installation process or servicing.
4. Make sure all connections are in accordance with the National Electrical Code and any local regulations.
5. Cap any wires not used separately (not together).

Project: \_\_\_\_\_  
 Type: \_\_\_\_\_  
 Note: \_\_\_\_\_

# ACROBAT 1" LED DOWNLIGHT

## DIMMING DRIVER COMPATIBILITY

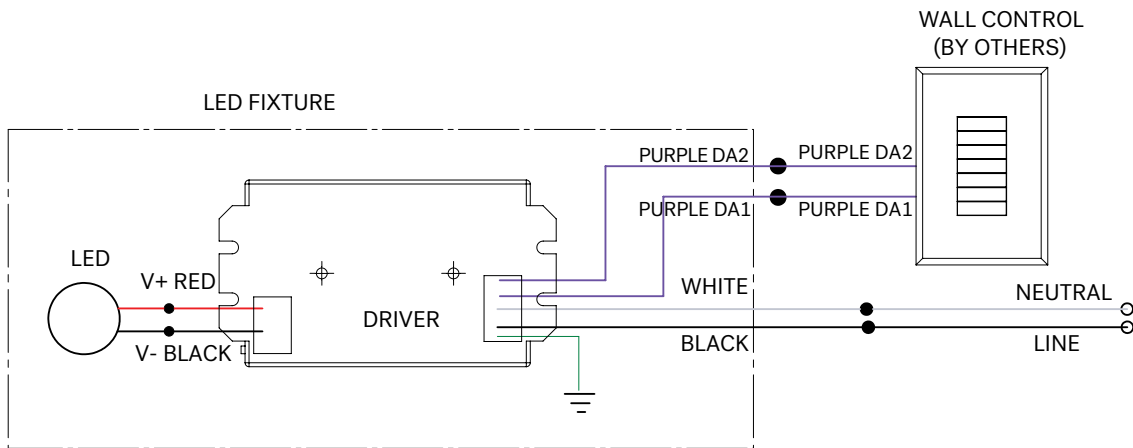
### DIMMER LIST

"EL1" eldoLED DALI 1%

DIMMER INFORMATION	
MANUFACTURER	PRODUCT
	DALI Controls

NOTE: Wiring diagrams are examples of typical installations intended to illustrate the number of wires that must be run to fixture. These diagrams are not intended to specify all equipment necessary for a given dimming circuit. Refer to specific dimmer manufacturer's documentation for details.

EL1- eldoLED DRIVER  
DALI DIMMING



### IMPORTANT SAFETY INSTRUCTIONS - SAVE THESE INSTRUCTIONS

1. Keep these instructions in a safe place for future reference.
2. Only qualified electricians in accordance to local codes should install these fixtures
3. De-energize the electrical circuit at the circuit breaker prior to installation process or servicing.
4. Make sure all connections are in accordance with the National Electrical Code and any local regulations.
5. Cap any wires not used separately (not together).

Project: \_\_\_\_\_  
 Type: \_\_\_\_\_  
 Note: \_\_\_\_\_

# ACROBAT 1" LED DOWNLIGHT

## DIMMING DRIVER COMPATIBILITY

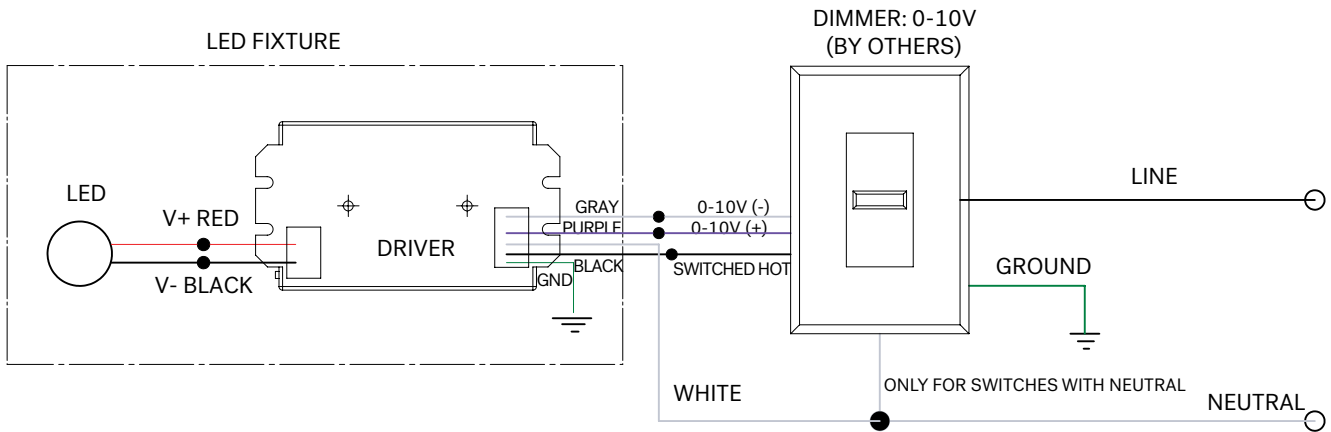
### DIMMER LIST

"EL2" eLdoLED 0-10V 1%

DIMMER INFORMATION	
MANUFACTURER	PRODUCT
Leviton	IP740-DLZ
Lightolier	ZP600FAM120
Lutron	DVTV
	NTFTV
	NFTV
Crestron	CLS-EXP-DIMFLV
	DIN-4DIMFLV4
	DIN-A08
	GLX-DIMFLV8

NOTE: Wiring diagrams are examples of typical installations intended to illustrate the number of wires that must be run to fixture. These diagrams are not intended to specify all equipment necessary for a given dimming circuit. Refer to specific dimmer manufacturer's documentation for details.

### EL2- eLdoLED DRIVER 0-10V DIMMING



### IMPORTANT SAFETY INSTRUCTIONS - SAVE THESE INSTRUCTIONS

1. Keep these instructions in a safe place for future reference.
2. Only qualified electricians in accordance to local codes should install these fixtures
3. De-energize the electrical circuit at the circuit breaker prior to installation process or servicing.
4. Make sure all connections are in accordance with the National Electrical Code and any local regulations.
5. Cap any wires not used separately (not together).

# ACROBAT 1" LED DOWNLIGHT

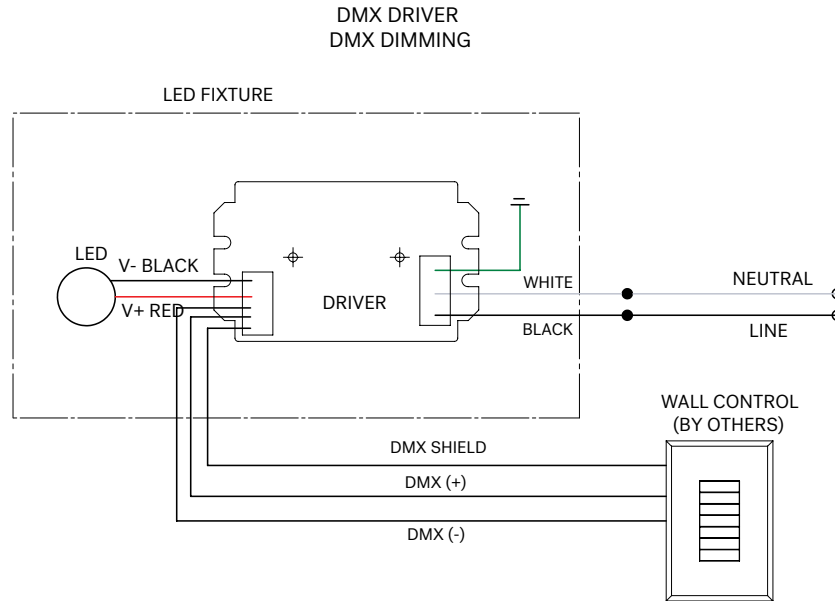
## DIMMING DRIVER COMPATIBILITY

### DIMMER LIST

#### "DMX" Moons

DIMMER INFORMATION	
MANUFACTURER	PRODUCT
	DMX Controls

NOTE: Wiring diagrams are examples of typical installations intended to illustrate the number of wires that must be run to fixture. These diagrams are not intended to specify all equipment necessary for a given dimming circuit. Refer to specific dimmer manufacturer's documentation for details.



### IMPORTANT SAFETY INSTRUCTIONS - SAVE THESE INSTRUCTIONS

1. Keep these instructions in a safe place for future reference.
2. Only qualified electricians in accordance to local codes should install these fixtures
3. De-energize the electrical circuit at the circuit breaker prior to installation process or servicing.
4. Make sure all connections are in accordance with the National Electrical Code and any local regulations.
5. Cap any wires not used separately (not together).