

## WHISPER STANDARD - WS-IC - INSTALLATION INSTRUCTIONS

**READ AND FOLLOW ALL SAFETY INSTRUCTIONS!  
SAVE THESE INSTRUCTIONS AND DELIVER TO OWNER AFTER INSTALLATION.**

### WARNING: RISK OF ELECTRIC SHOCK

- Before installation or servicing DISCONNECT POWER BY SHUTTING OFF THE CIRCUIT breakers both to the outlet box and to its associated wall switch.
- Installation and service of luminaires should be performed by a qualified licensed electrician in accordance with all local and National Electrical Codes.
- Do not install damaged product.
- Verify that supply voltage is correct by comparing it with the luminaire label information.
- All wiring connections should be capped with UL approved wire connectors.

### WARNING: RISK OF INJURY

- Allow luminaire to cool before servicing.
- Follow all manufacturer's warning and restrictions for driver type, mounting locations, replacement and recycling.
- Wear safety glasses and gloves when installing, maintaining or servicing.
- Avoid direct eye exposure to the light source while it is on.

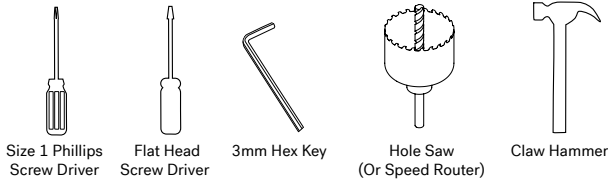
### WARNING: RISK OF FIRE

- Do not separate any other wires that may be in the box.
- Do not damage the insulation of existing wiring.
- In regular circumstances the BLACK wire will be the "Hot" lead and the WHITE wire will be the "Neutral" or "Common" lead. A GREEN or BARE COPPER wire is the "Ground." In older buildings, it is always good practice to reconfirm the polarity of the wiring.

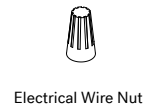
### RISK OF PRODUCT DAMAGE

- Never connect components under load.
- Do not touch the yellow surface of the LED as it may damage the light engine.

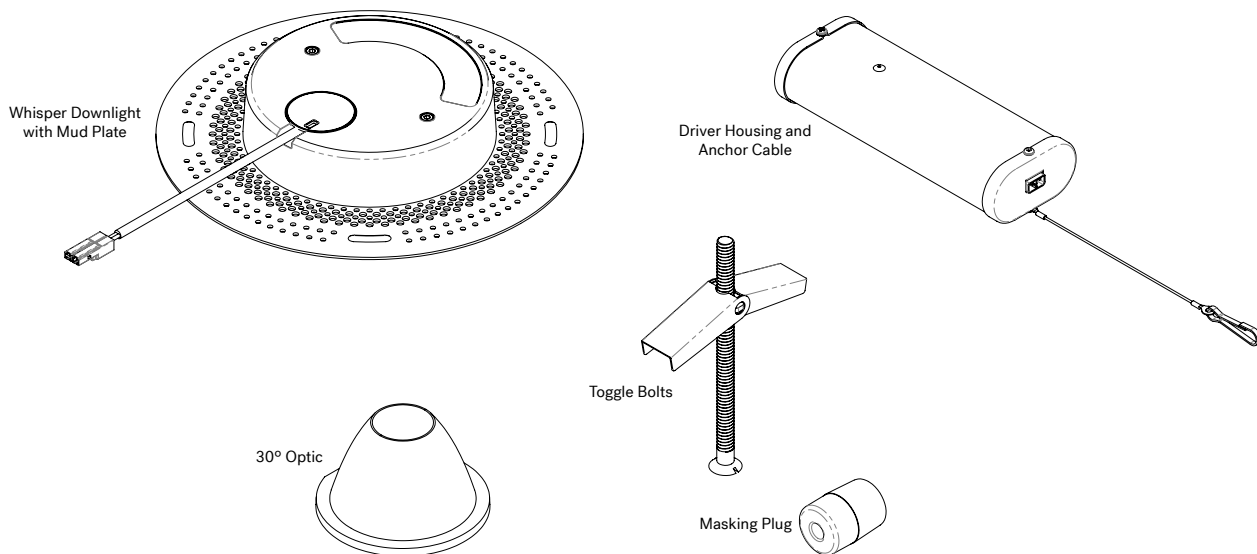
### TOOLS REQUIRED



### ACCESSORIES REQUIRED



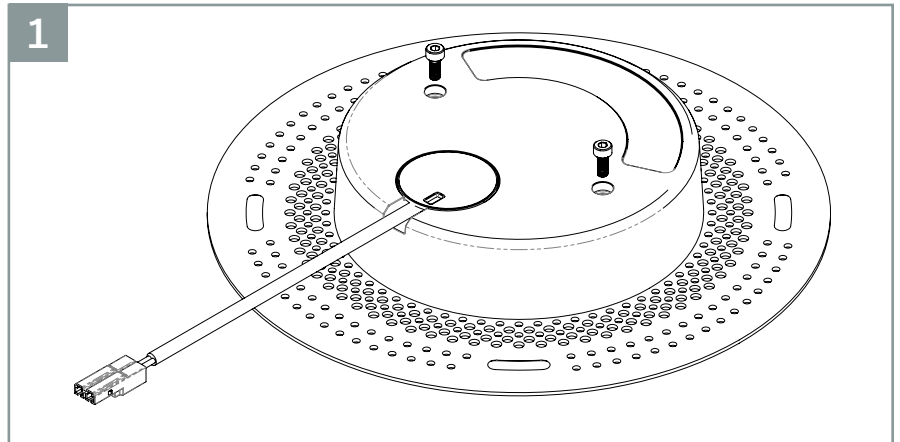
### WHAT'S IN THE BOX



## WHISPER STANDARD - WS-IC - INSTALLATION INSTRUCTIONS

### CHANGING SILENTVU™ OPTIC LENS (Before or After Installation)

**STEP 1** – Using a 3mm hex tool, unscrew two screws exposing the optic, optic holder, solite lens and glare blocker.



**STEP 2** – Clip off optic holder to remove/replace optic. When assembling ensure optic is secured and the components are in the order indicated.

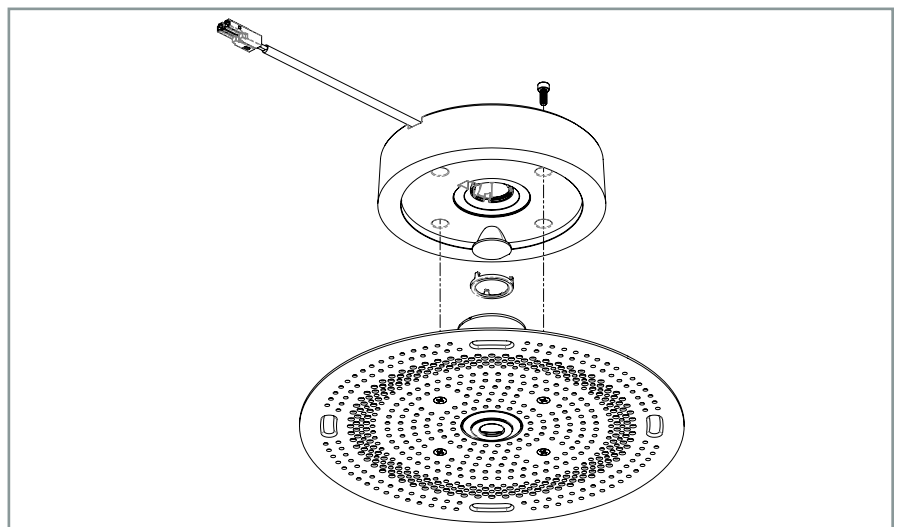
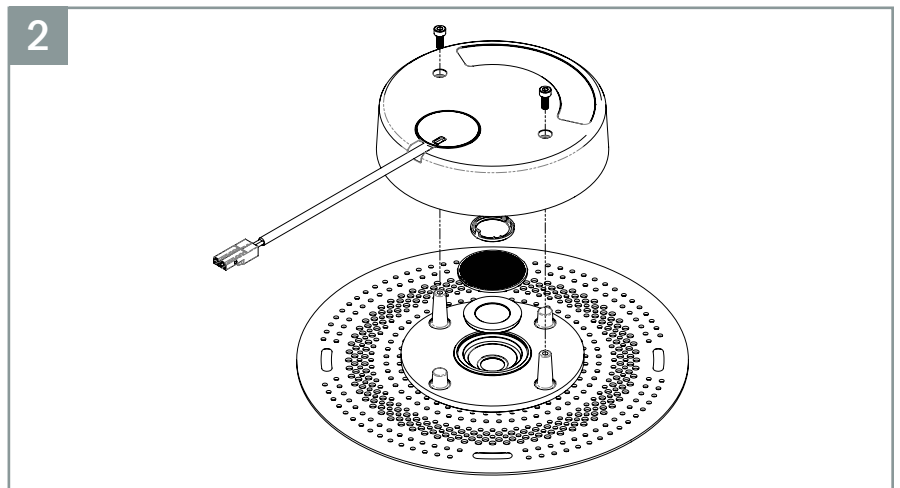


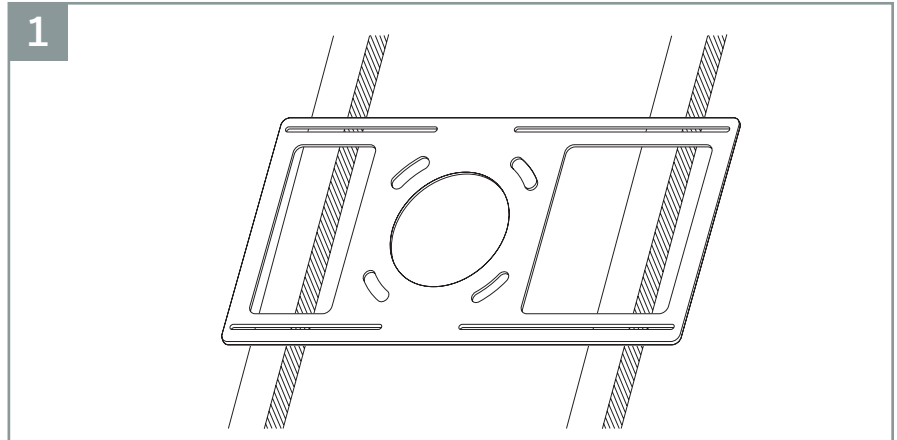
FIG-00037 Revised 10/13/23

2 of 8

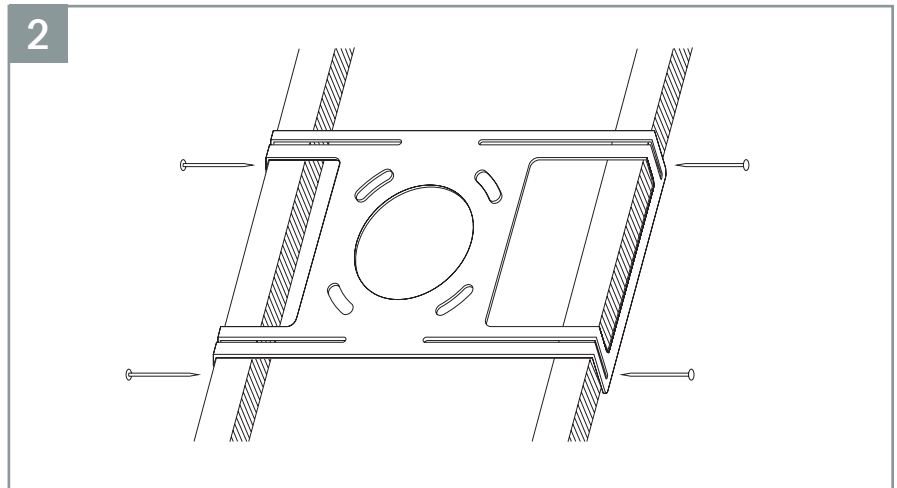
## WHISPER STANDARD - WS-IC - INSTALLATION INSTRUCTIONS

### INSTALLATION USING ROUGH-IN PLATE (Not Included, Sold Separately)

**STEP 1** – Lay rough-in plate horizontally across two beams, keeping hole in the center.



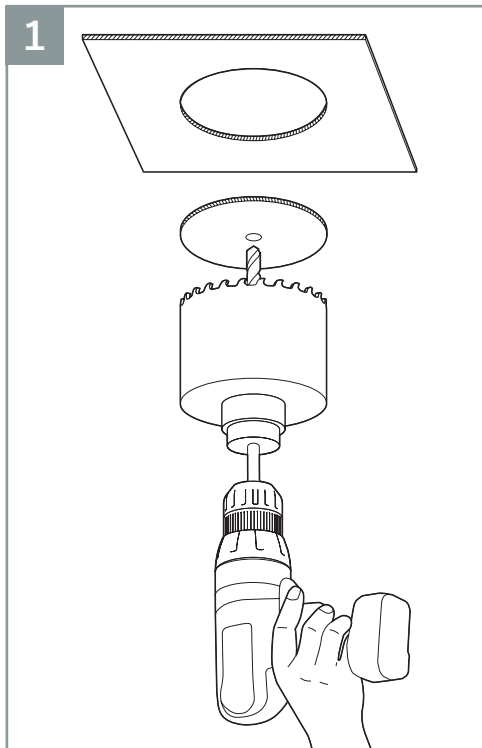
**STEP 2** – Fold edges around the beam and fasten to joist. Then proceed with the Fixture Installation Step-1.



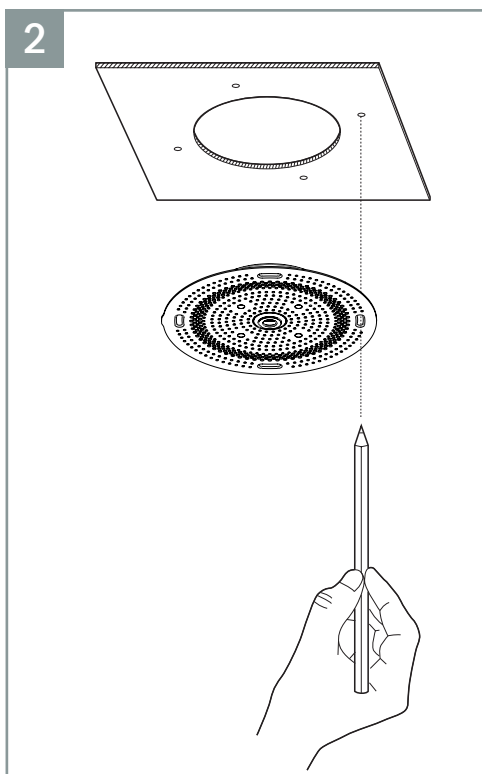
## WHISPER STANDARD - WS-IC - INSTALLATION INSTRUCTIONS

### INSTALLATION

**STEP 1** – Use a hole saw or speed router with rough-in plate to cut 5-1/2" hole.

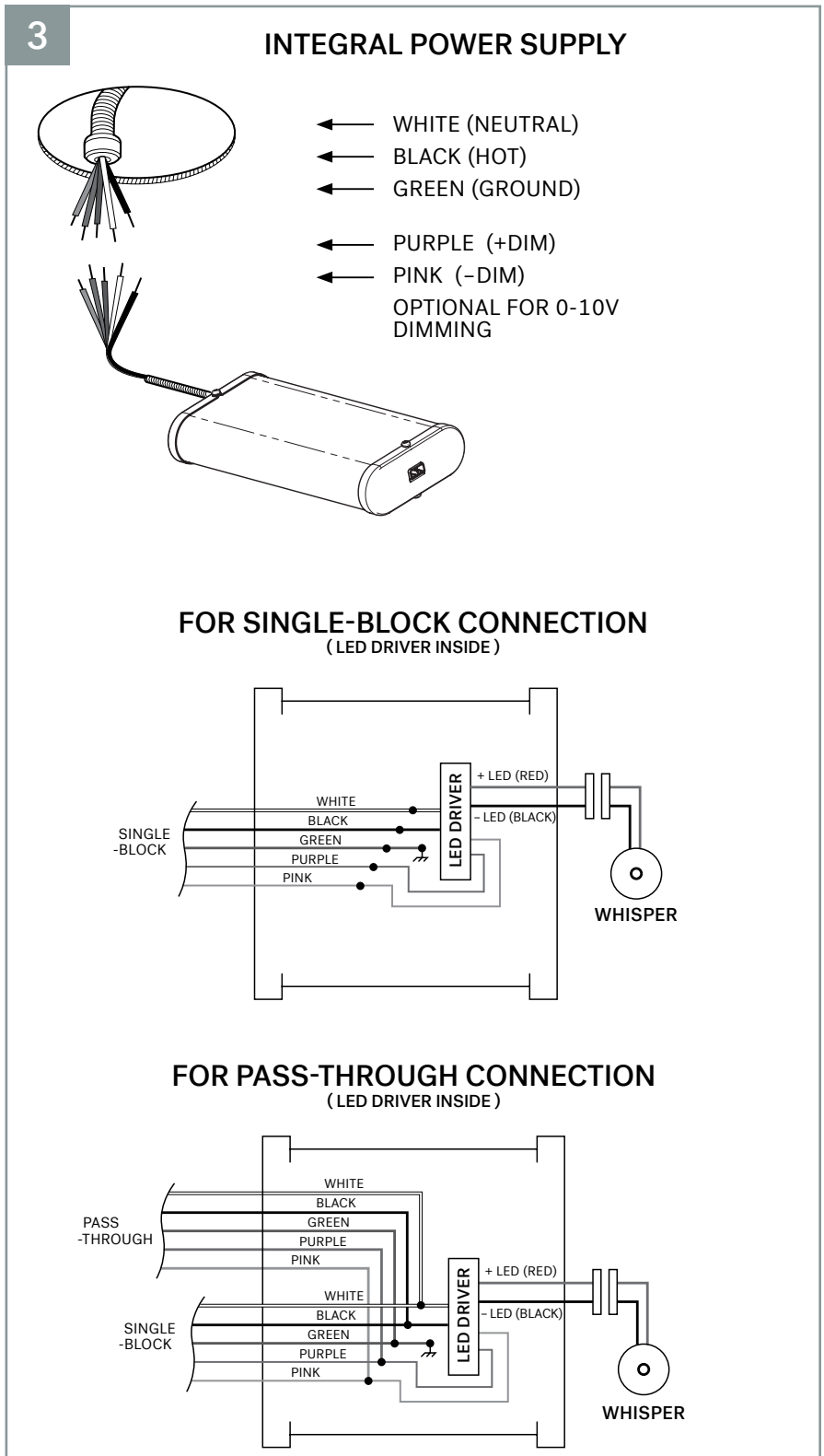


**STEP 2** – Using the mud plate for reference, mark hole positions on ceiling for toggle bolts (4). Using a 1/2" drill bit, drill through the ceiling on the pre-marked hole centers.



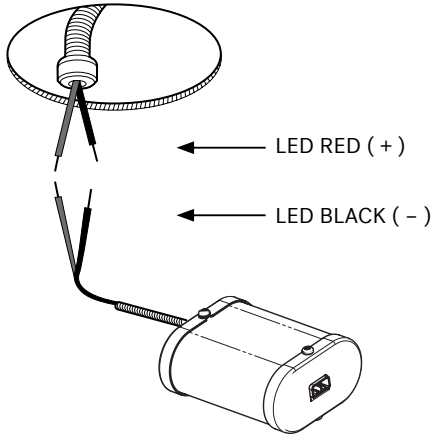
## WHISPER STANDARD - WS-IC - INSTALLATION INSTRUCTIONS

**STEP 3** – Connect supply wires to power supply unit as indicated in wiring diagram.

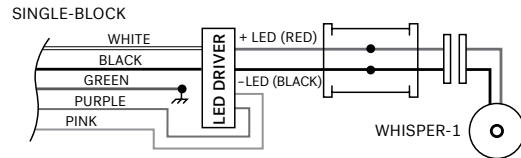


## WHISPER STANDARD - WS-IC - INSTALLATION INSTRUCTIONS

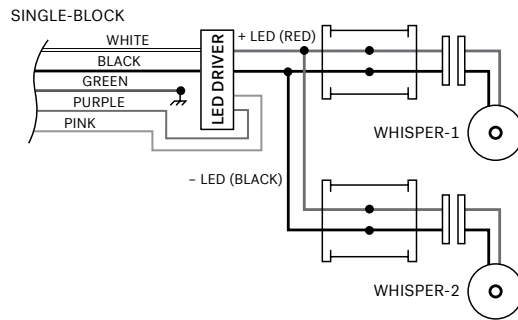
### REMOTE POWER SUPPLY



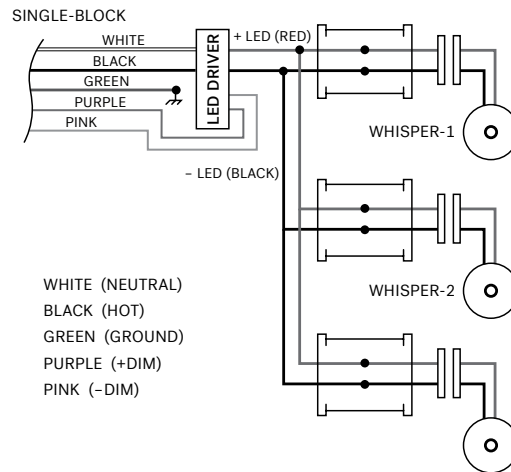
#### ① WHISPER + ① REMOTE DRIVER (LED Driver Outside)



#### ② WHISPERS + ① REMOTE DRIVER (LED Driver Outside)



#### ③ WHISPERS + ① REMOTE DRIVER (LED DRIVER OUTSIDE)



#### ⚠ WARNING

A SINGLE LUMINAIRE SHALL NOT HAVE MORE THAN 15.2W (400MA @ 38VDC) SUPPLIED

#### ⚠ WARNING

MAKE SURE THAT THERE ARE NO EXPOSED STRANDS OF WIRE THAT COULD CAUSE A DANGEROUS SHORT CIRCUIT!

#### ⚠ WARNING

NEVER FASTEN THE GROUND WIRE (GREEN) TO THE HOT (BLACK) WIRE!  
FAILURE TO FOLLOW THIS INSTRUCTION COULD RESULT IN SERIOUS INJURY OR DEATH!

## WHISPER STANDARD - WS-IC - INSTALLATION INSTRUCTIONS

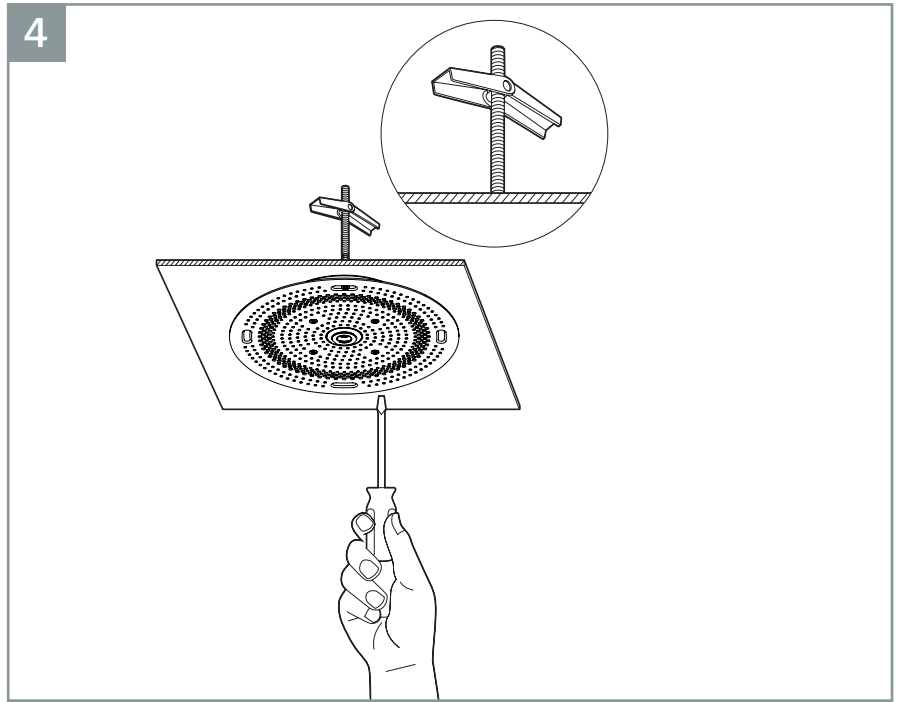
**STEP 4** – Attach fixture and mud plate to ceiling using 4 toggle bolts. Make sure there is adequate room for bolts to function with ceiling thickness.

- For a square aperture, align the aperture as desired using indicator.

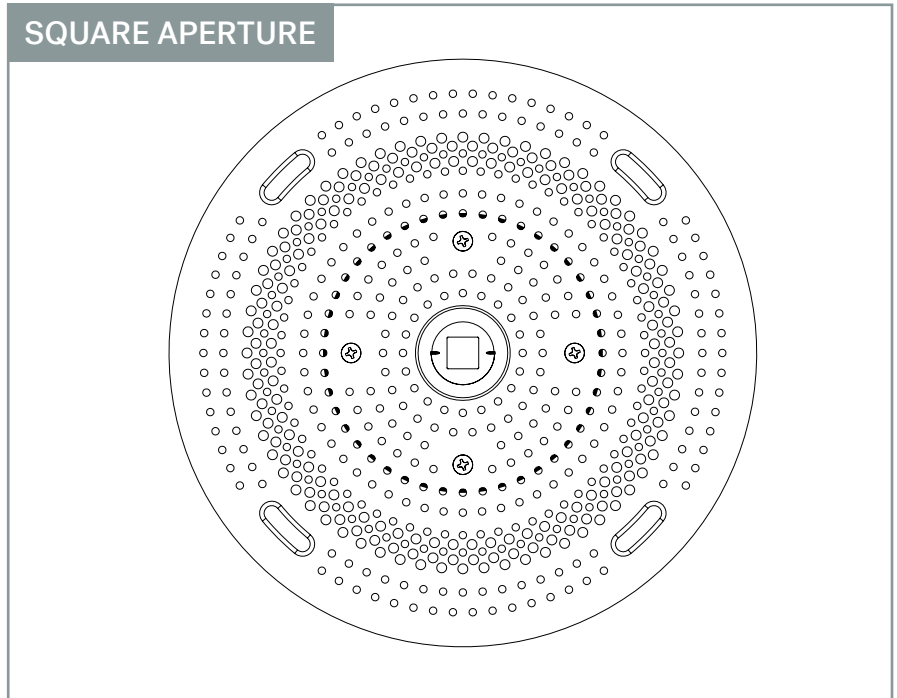
\*Fixture not serviceable from roomside after application of drywall mud LED module only serviceable from above ceiling after mudding product into ceiling.

### IMPORTANT

Before continuing, turn on the power and test the lights to verify proper wiring and functionality. Then, disconnect the power and continue to **STEP 5**.

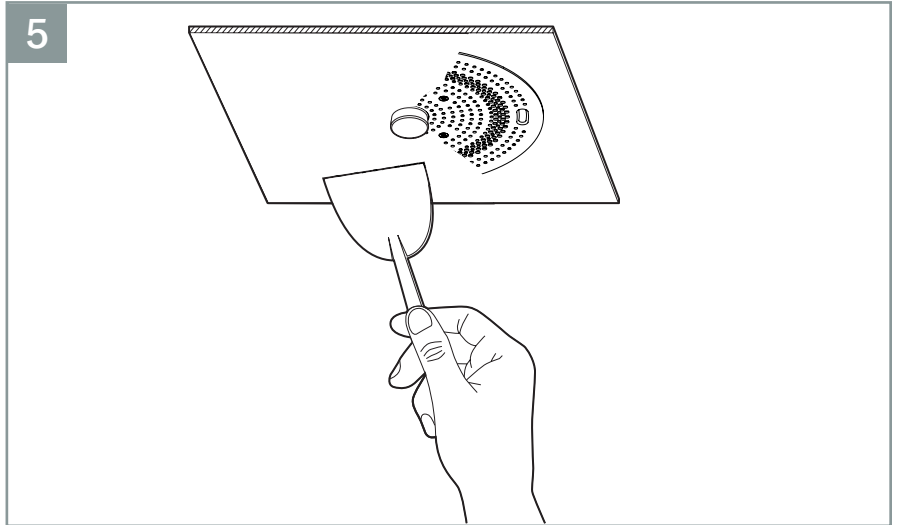


### SQUARE APERTURE



## WHISPER STANDARD - WS-IC - INSTALLATION INSTRUCTIONS

**STEP 5** – Use drywall mud and putty knife to cover mud plate. Finish and paint ceiling to desired color.



**STEP 6** – Remove masking plug from aperture.

