

WHISPER FLEX - WS-AIC - INSTALLATION INSTRUCTIONS

**READ AND FOLLOW ALL SAFETY INSTRUCTIONS!
SAVE THESE INSTRUCTIONS AND DELIVER TO OWNER AFTER INSTALLATION.**

WARNING: RISK OF ELECTRIC SHOCK

- Before installation or servicing **DISCONNECT POWER BY SHUTTING OFF THE CIRCUIT breakers** both to the outlet box and to its associated wall switch.
- Installation and service of luminaires should be performed by a qualified licensed electrician in accordance with all local and National Electrical Codes.
- Do not install damaged product.
- Verify that supply voltage is correct by comparing it with the luminaire label information.
- All wiring connections should be capped with UL approved wire connectors.

WARNING: RISK OF INJURY

- Allow luminaire to cool before servicing.
- Follow all manufacturer's warning and restrictions for driver type, mounting locations, replacement and recycling.
- Wear safety glasses and gloves when installing, maintaining or servicing.
- Avoid direct eye exposure to the light source while it is on.

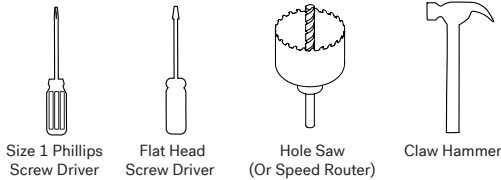
WARNING: RISK OF FIRE

- Do not separate any other wires that may be in the box.
- Do not damage the insulation of existing wiring.
- In regular circumstances the **BLACK** wire will be the "Hot" lead and the **WHITE** wire will be the "Neutral" or "Common" lead. A **GREEN** or **BARE COPPER** wire is the "Ground." In older buildings, it is always good practice to reconfirm the polarity of the wiring.

RISK OF PRODUCT DAMAGE

- Never connect components under load.
- Do not touch the yellow surface of the LED as it may damage the light engine.

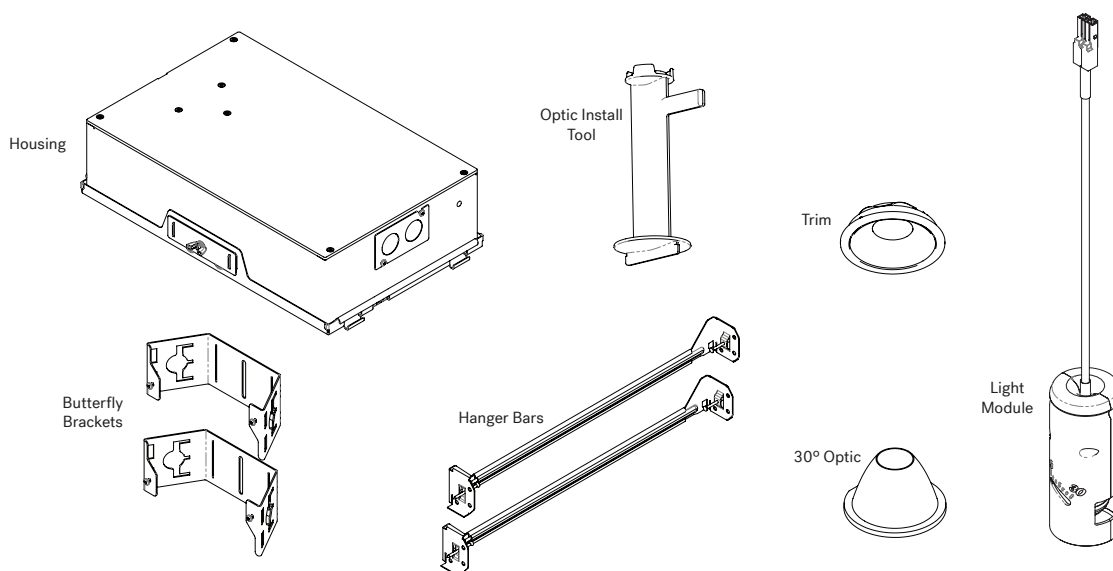
TOOLS REQUIRED



ACCESSORIES REQUIRED



WHAT'S IN THE BOX



WHISPER FLEX - WS-AIC - INSTALLATION INSTRUCTIONS

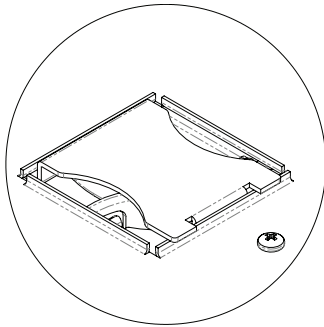
PREPARATION

Measure Before You Cut

Consult the ceiling cutout table below to determine your application ceiling cutout requirements.

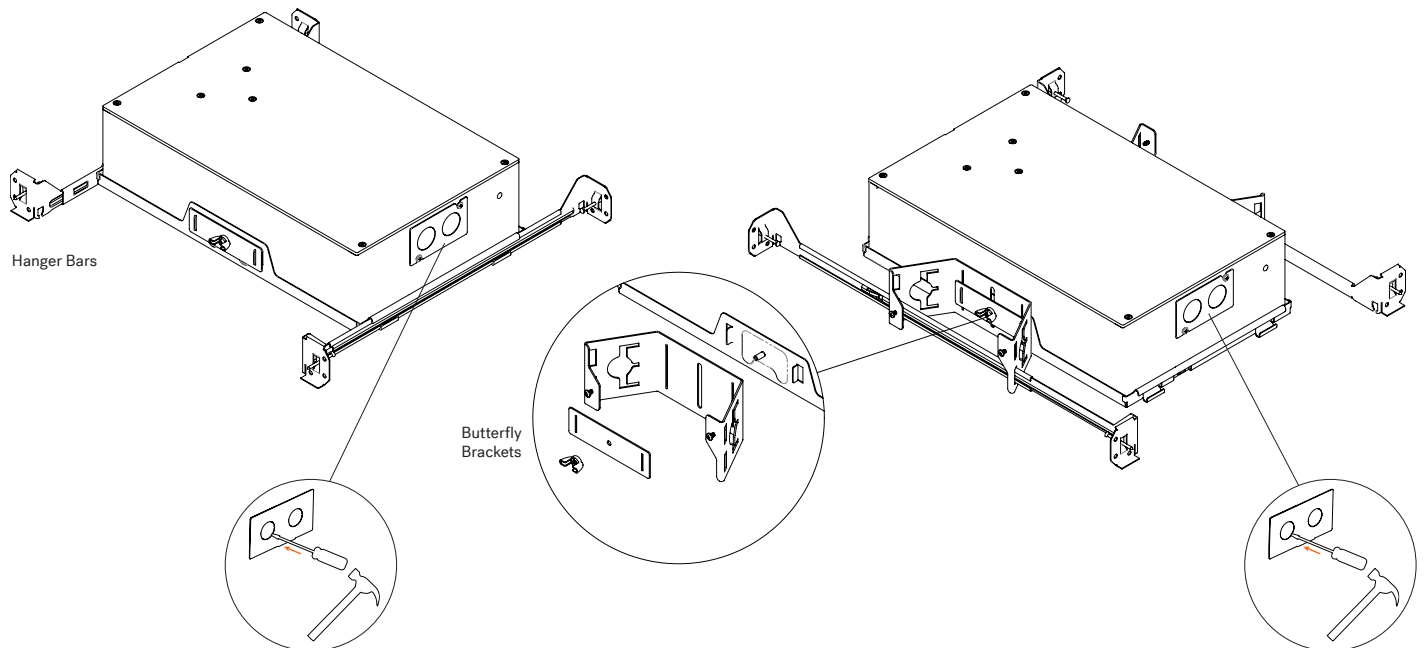
SHAPE	FLANGED	TRIMLESS (MUD IN)	WOOD CEILING
Round	Ø1 - 11/16"	Ø2-1/2"	Ø1-11/16"
Square	1-11/16" x 1-11/16"	2-1/2" x 2-1/2"	1-11/16" x 1-11/16"

Remove RED Driver Bracket Before Installing Housing



Determine Housing Mounting Method

- **Standard hanger bars:** Secure the housing to ceiling joists or suspended ceiling frames (T-bars). Install the hanger bars in the frame slots, oriented as shown.
- **Butterfly Brackets:** Secure the housing using C-channel or conduit. To install the brackets, remove the wingnut and lock plate, mount the brackets on the housing, then re-attach the lock plate and wing nut. Adjust the vertical position of the housing by sliding the bracket up or down. Tighten the wingnut to lock the vertical position.



Remove Knock-Out(s)

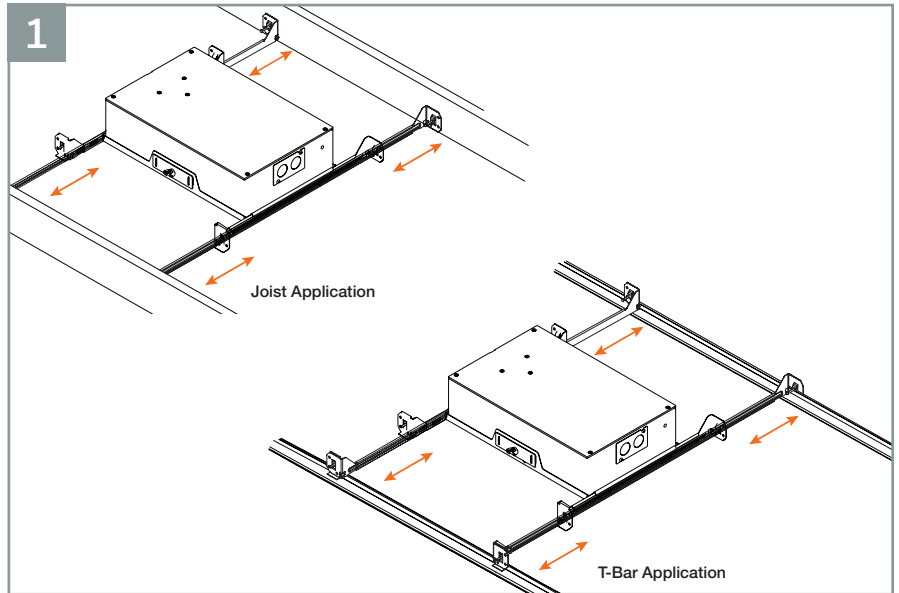
Remove knock-out(s) where needed with a flat-head screwdriver and hammer.

WHISPER FLEX - WS-AIC - INSTALLATION INSTRUCTIONS

INSTALLATION

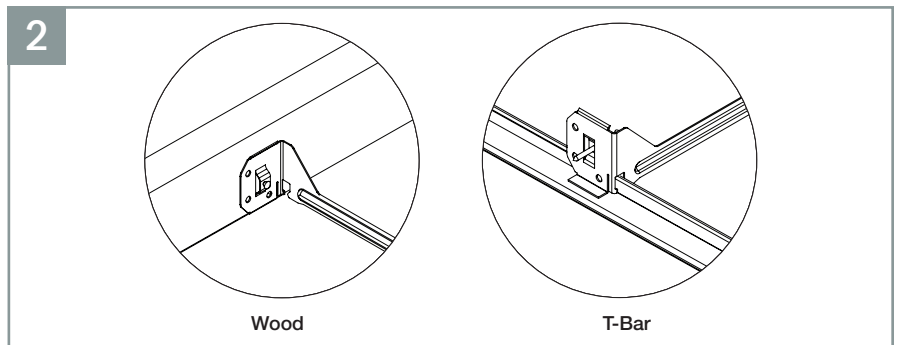
STEP 1 - Hanger Bar Adjustment

- Adjust the hanger bars to fit between joists (For suspended ceiling, remove the required tile).



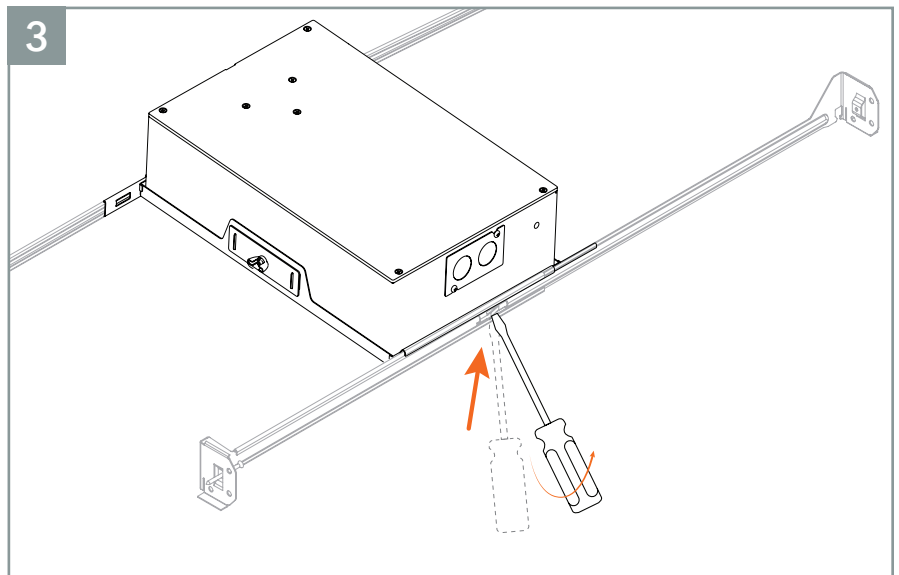
STEP 2 - Secure Hanger Bars

- For wood joists, line up the bottom of the hanger bars to the bottom of the joists and nail the ends of the hanger bars to the joists.
- For suspended ceiling (T-Bar), snap the hanger bars in place on the suspended ceiling T-Bar.



STEP 3 - Secure System

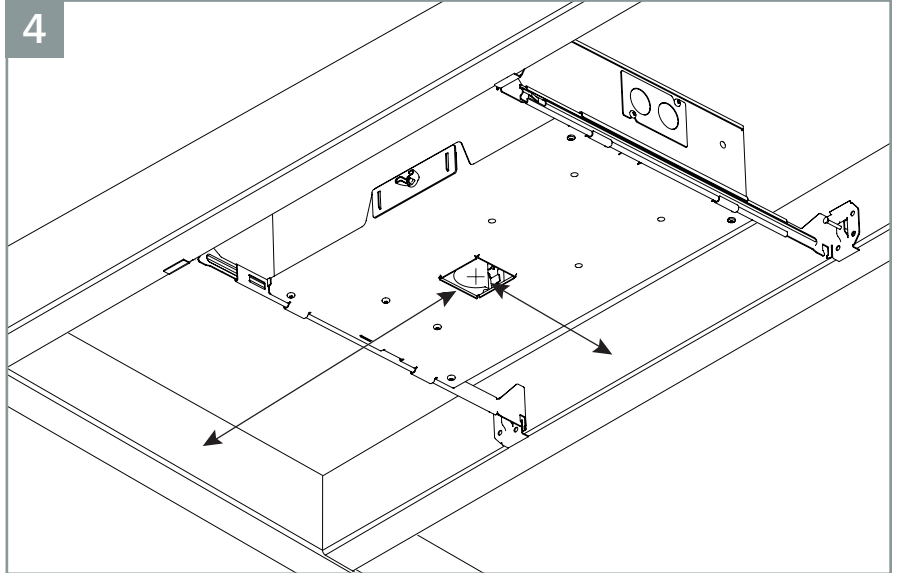
- Slide the housing to the desired position and use a flat head screwdriver to tilt the locking tabs into the hanger bars until system is secure.



WHISPER FLEX - WS-AIC - INSTALLATION INSTRUCTIONS

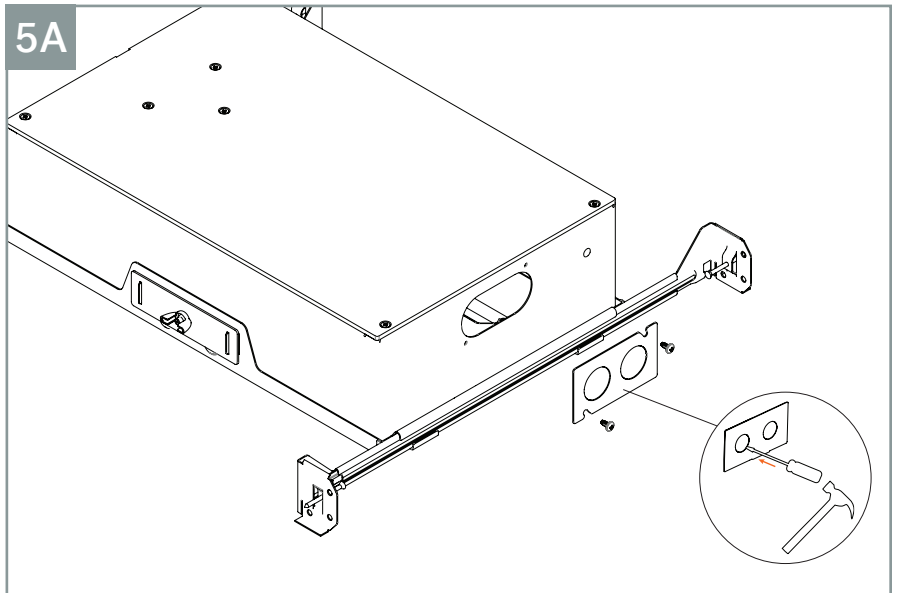
STEP 4 - Position Measurement

- Measure and mark the location of the pan hole from wood joists/T-Bars.



STEP 5A - Electrical Connection

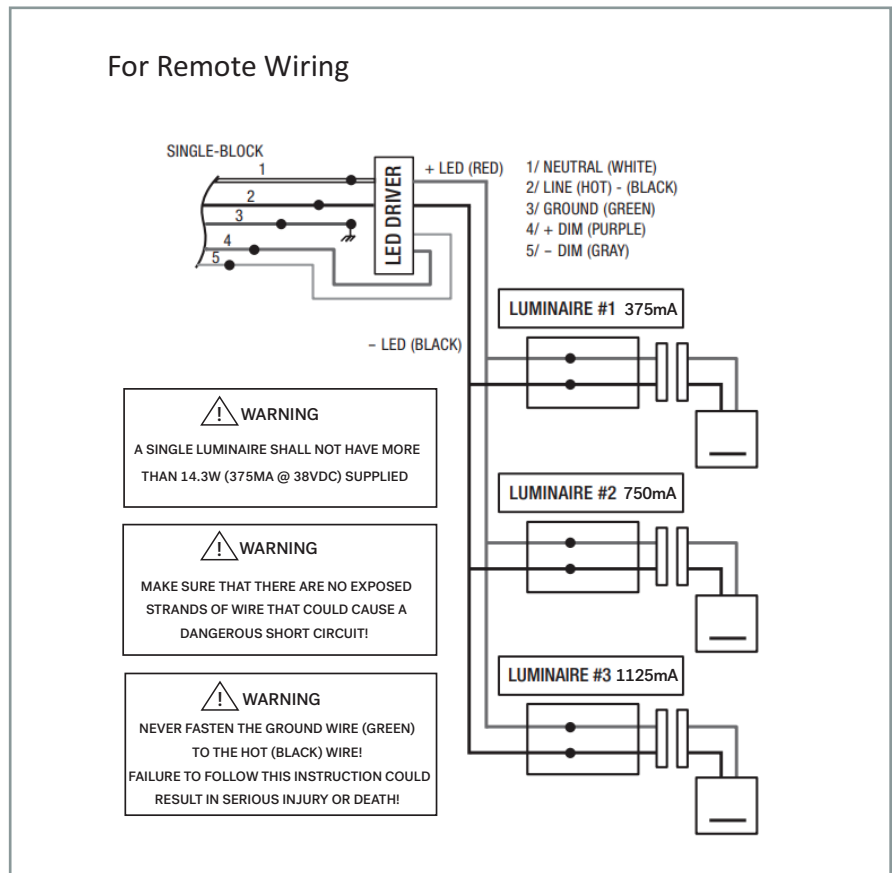
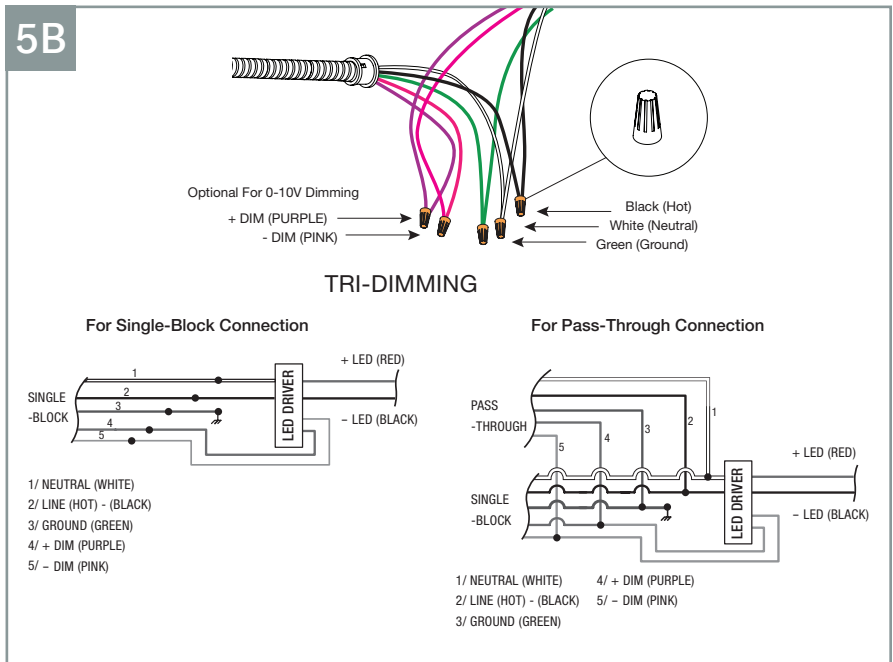
- If not already completed, use a flathead screwdriver and hammer to punch out knock-out(s).
- Remove Access panel using a #1 Phillips screwdriver.
- Using a UL listed conduit connector secure connector to the knock-out opening, passing supply wires through connector.



WHISPER FLEX - WS-AIC - INSTALLATION INSTRUCTIONS

STEP 5B – Wiring Diagrams

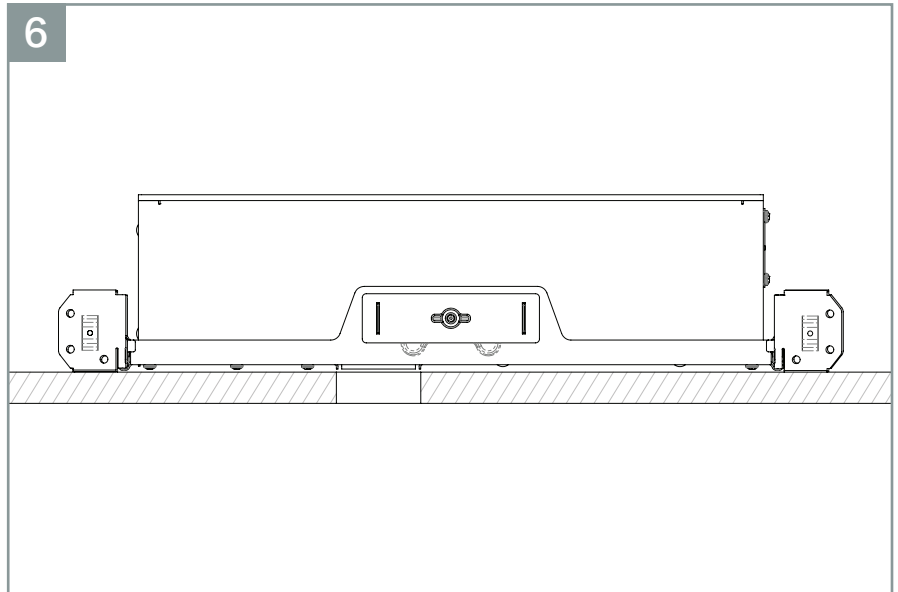
- Connect supply wires using approved wire nuts to the Driver using the wiring diagrams shown.
- Reattach access panel.



WHISPER FLEX - WS-AIC - INSTALLATION INSTRUCTIONS

STEP 6 – Ceiling Cutout & Installation Ceiling or Tile Installation

- Cut ceiling hole at the pre-measured location using a hole saw or speed router to the size indicated within the "Ceiling Cutout Table," on p. 2.
- Attach ceiling or tile ensuring the ceiling hole aligns with the luminaire opening.

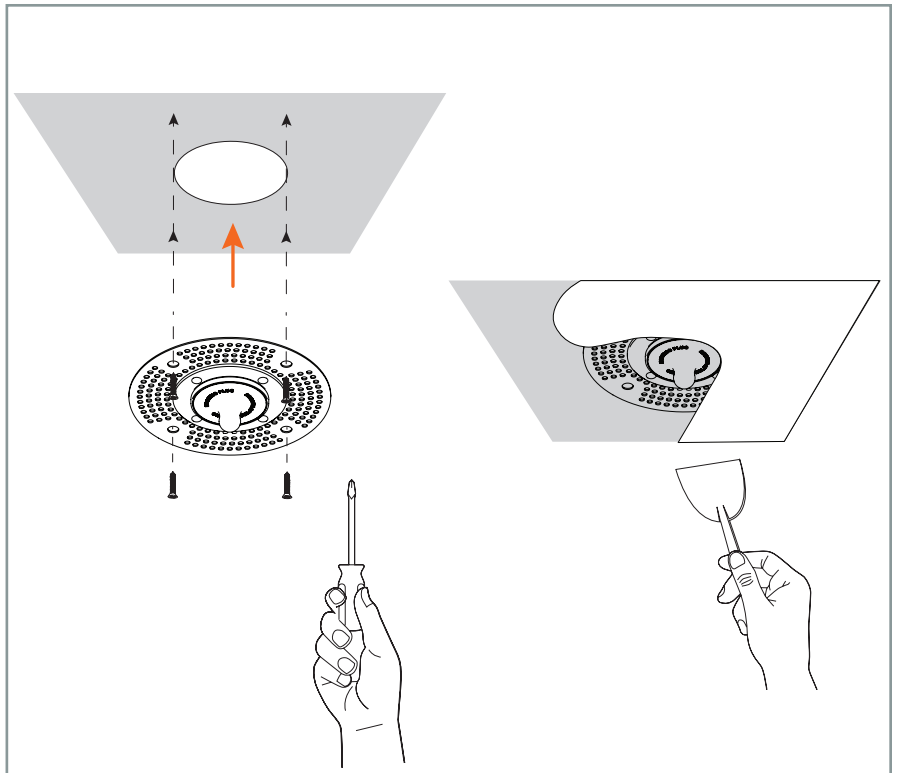


For Trimless

- Ensure to attach the mud guard before mudding.
- With drywall knife apply mud to mud-ring to the rim of the mud-ring. Ensure no mud goes beyond the rim.
- With a block sander smooth out bumps or unevenness. Repeat until ceiling is smooth.
- Paint ceiling and after paint is dry, remove the mud protector board.
- Remove mud guard from mud ring.

Wood Ceiling Trimless

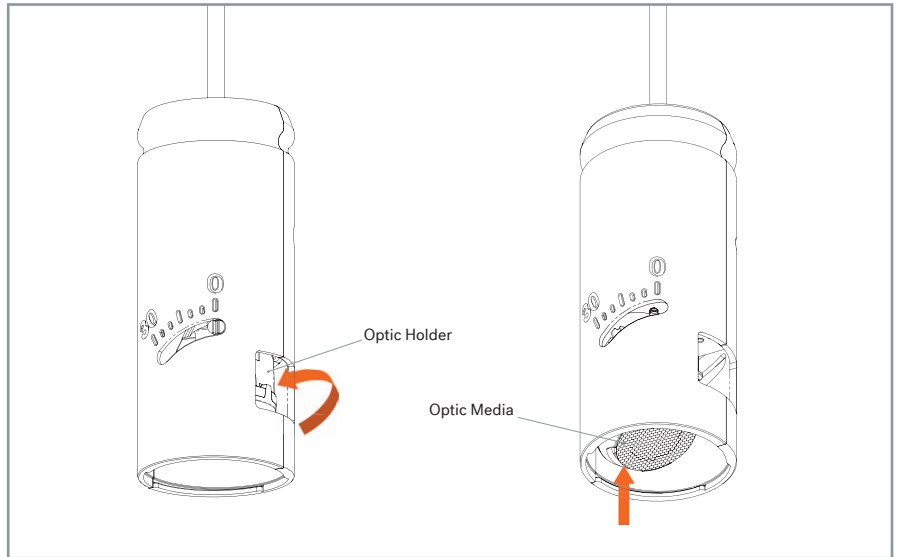
- Wood ceiling trimless uses same installation method as standard ceiling or tile installation - except with just the reflector - no trim.



WHISPER FLEX - WS-AIC - INSTALLATION INSTRUCTIONS

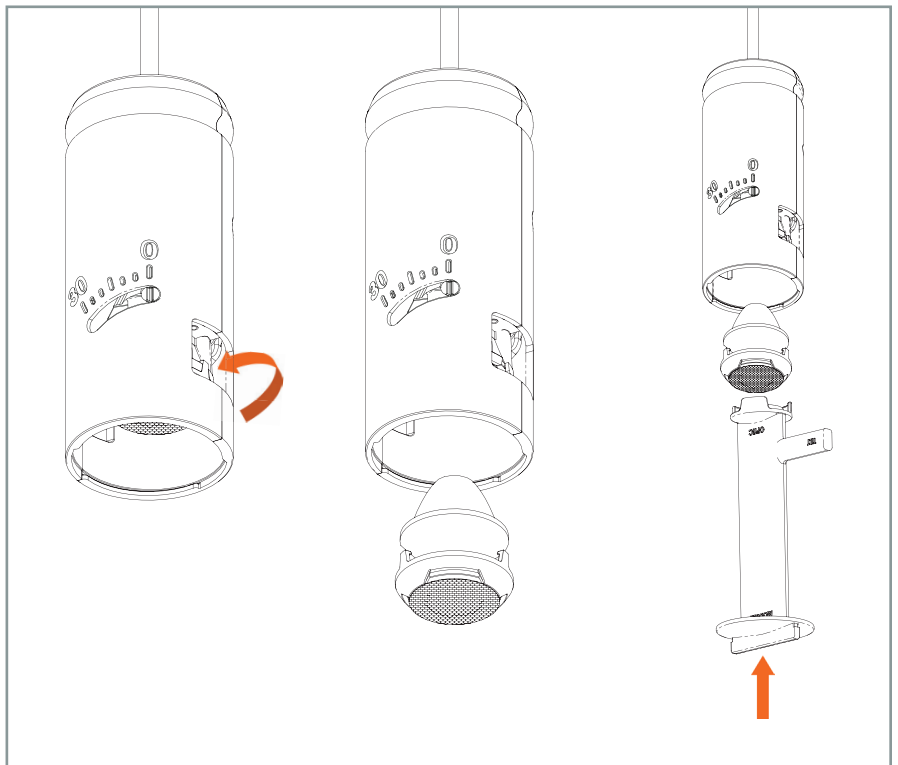
Adjusting Tilt

- Ensure a Trim is not attached to Light Module.
- To tilt away from 0°, push the optic holder away from the 0° mark.
- To tilt towards 0°, push up on the optic media toward the 0° mark.



Changing SilentVu™ Optic Lens (Before or After Installation)

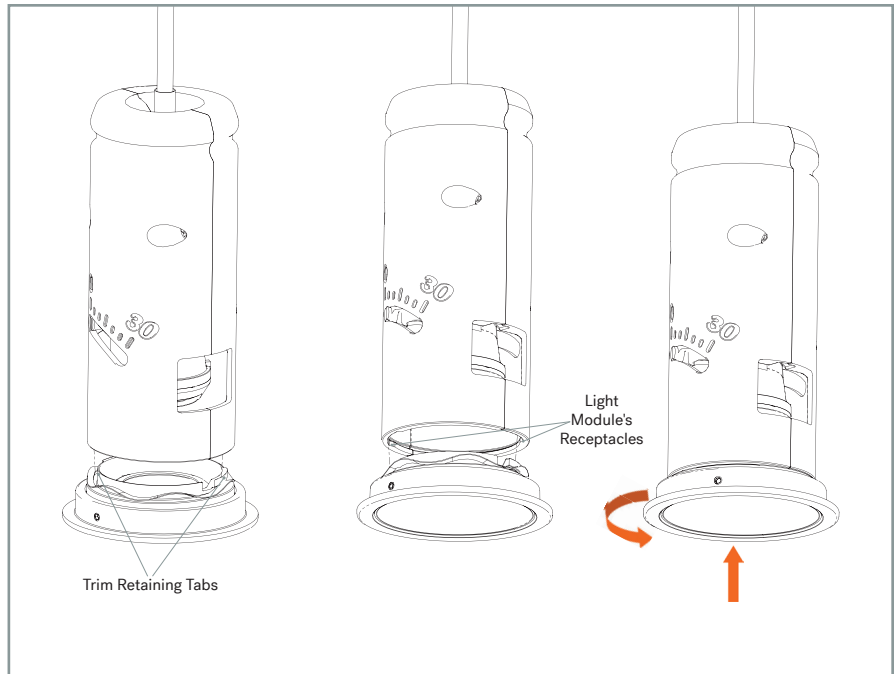
- Clip off optic media holder to remove/replace optic.
- When assembling ensure optic is secured to the media and optic install tool.
- Align the 3x tabs of the optic media to the optic holder and clip on the media holder to the optic holder securing the components.



WHISPER FLEX - WS-AIC - INSTALLATION INSTRUCTIONS

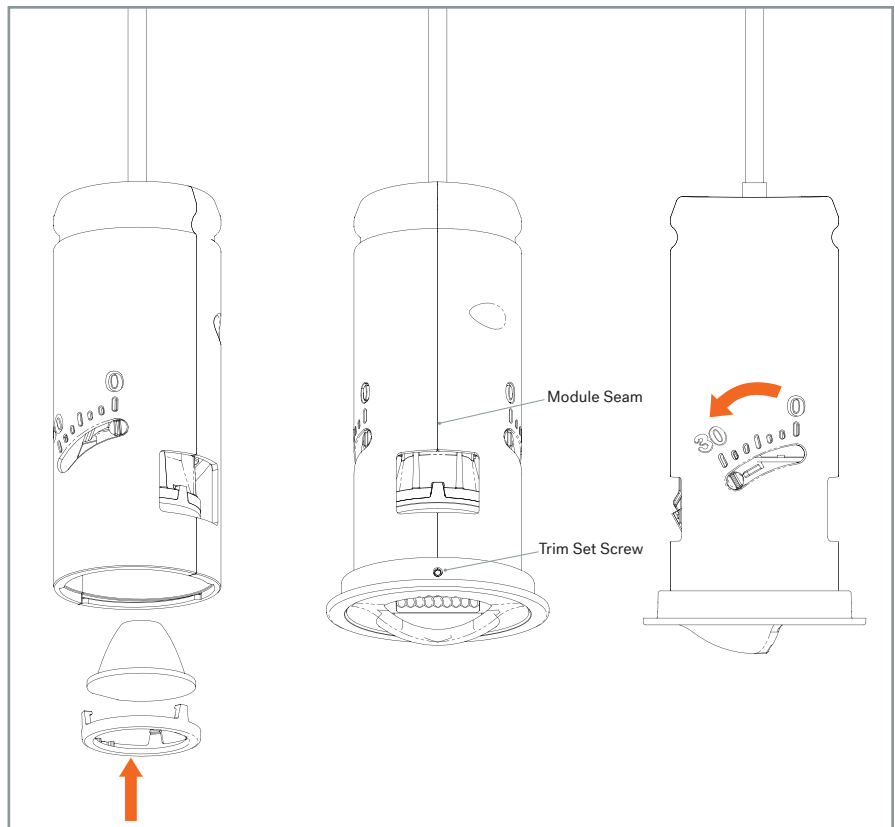
Attaching the Light Module to the Trim

- Align the 2x Trim retaining tabs to the Light Module's receptacles.
- While pushing up to engage the trim spring rotate the trim to the desired orientation.



When Using A Wall Wash Trim

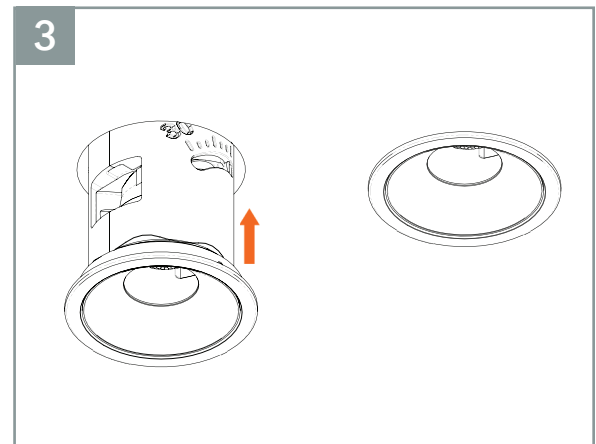
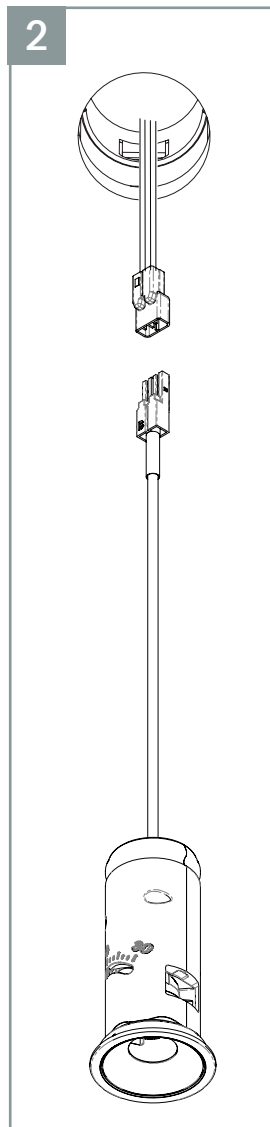
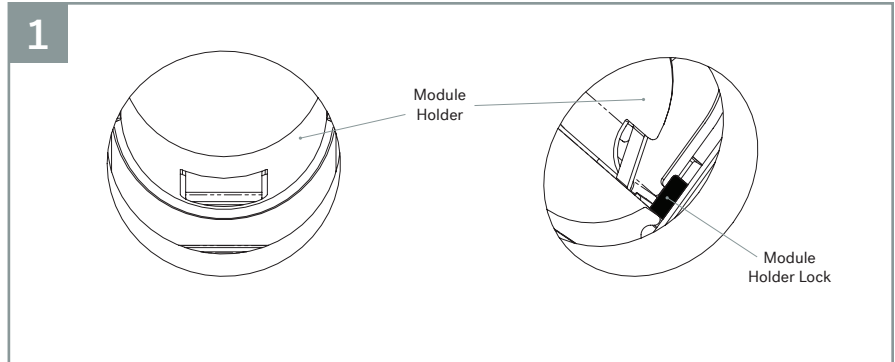
- Clip off optic media holder and replace with optic retaining ring.
- Attach the wall wash trim using the instructions above and align indicated set screw to the module seams as shown.
- Tilt the optic to 30° using the instructions above.



WHISPER FLEX - WS-AIC - INSTALLATION INSTRUCTIONS

Module Installation

- Before installing the light module ensure the applicable optic, trim and tilting steps are completed.
- Check and make sure the module holder is firm closed and module holder lock is engaged. (1)
- Connect the power cable to the module. (2)
- While pushing the power cable/connectors up and over the module holder, with an upward motion, push the light module into the module holder. (3)
- Before the module is fully seated, pan the module to the desired aim, then push the light module upward until the trim/reflector seats flush to the ceiling or mud ring for trimless.



WHISPER FLEX - WS-AIC - INSTALLATION INSTRUCTIONS

Driver Servicing and Site Review

- Remove the light module and trim.
- Disconnect light module making sure the power cable stays between the heatsink and module holder
- Push the module lock so that it doesn't block the module holder release. (1)
- While pushing up and over on the tip of the module holder, rotate the module holder 90°. Doing so will draw the power supply to the ceiling hole.
- Push up at the end of the driver to release it from the driver holder. (2A)
- Pull the driver through the ceiling hole. (2B)
- Reverse the steps to reinstall the driver making sure to:
 - * Place the driver back into the driver holder.
 - * Rotating the module holder back into place ensuring the two snap fingers engage to the heatsink. (3)
 - * The module lock is engaged.

