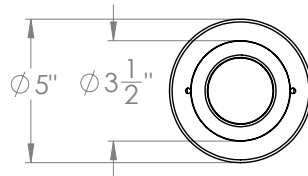
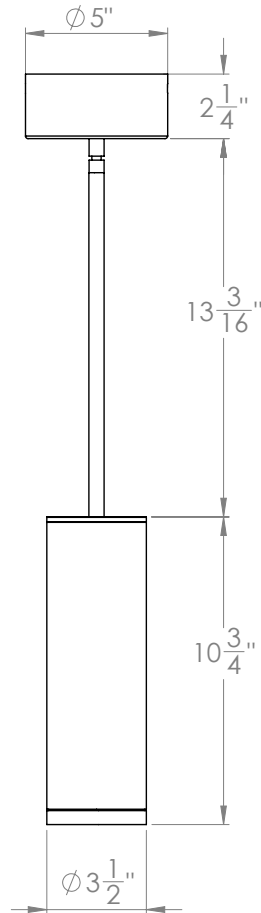


Gyro Shift 3" Cylinder

25W LED Pendant

Round

LP3-SFT



Revised 10/04/18

PATENT PENDING

14508 Nelson Ave. City of Industry, CA 91744 • tel: 626.336.4511 • fax: 626.330.4266 • www.csllighting.com

©October 4, 2018 2:00 PM Creative Systems Lighting, A Division of Troy-CSL Lighting, Inc.

All rights reserved. Subject to change without notice.

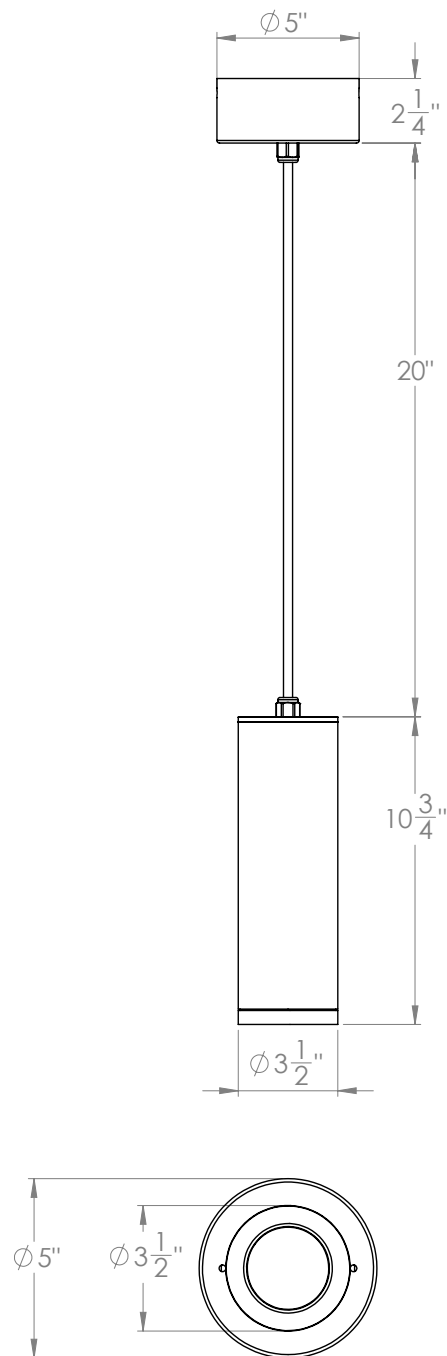


Gyro Shift 3" Cylinder

25W LED Pendant

Round

LP3-SFT-XX-XX-X-XXX-BC



Revised 10/04/18

PATENT PENDING

14508 Nelson Ave. City of Industry, CA 91744 • tel: 626.336.4511 • fax: 626.330.4266 • www.csllighting.com

©October 4, 2018 2:00 PM Creative Systems Lighting, A Division of Troy-CSL Lighting, Inc.

All rights reserved. Subject to change without notice.

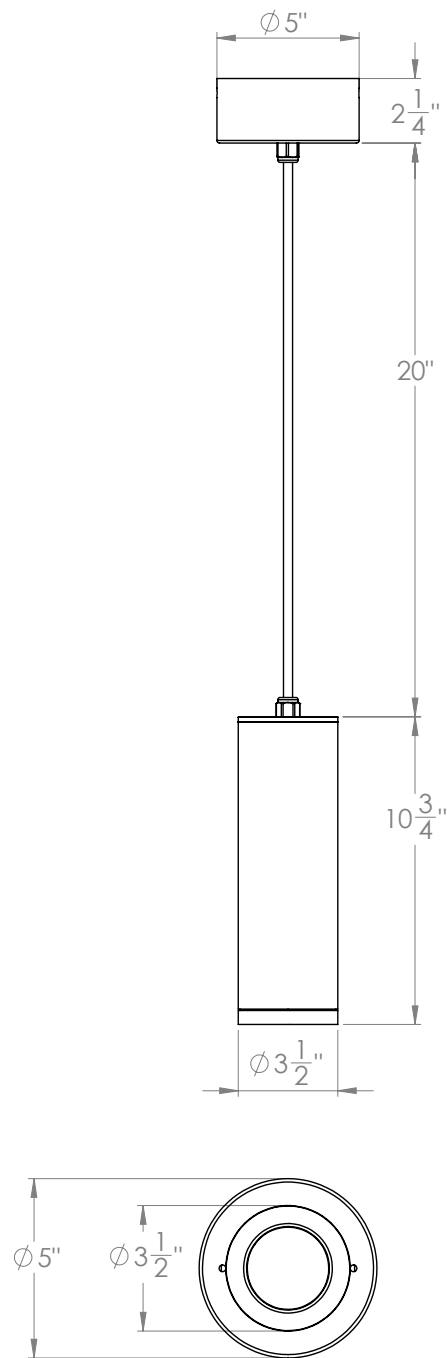


Gyro Shift 3" Cylinder

25W LED Pendant

Round

LP3-SFT-XX-XX-X-XXX-WC



Revised 10/04/18

PATENT PENDING

14508 Nelson Ave. City of Industry, CA 91744 • tel: 626.336.4511 • fax: 626.330.4266 • www.csllighting.com

©October 4, 2018 2:00 PM Creative Systems Lighting, A Division of Troy-CSL Lighting, Inc.

All rights reserved. Subject to change without notice.

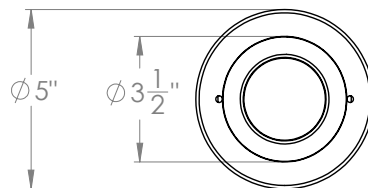
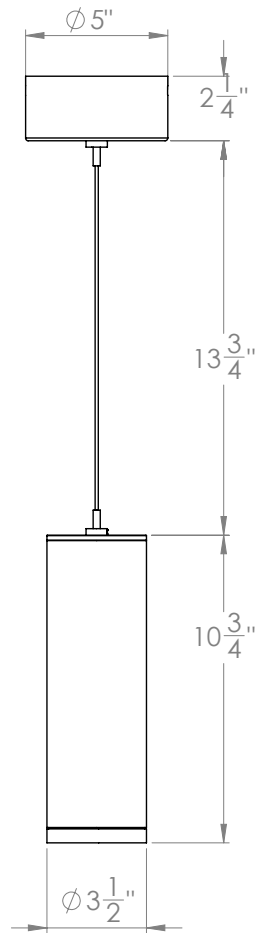


Gyro Shift 3" Cylinder

25W LED Pendant

Round

LP3-SFT-XX-XX-X-XXX-LV



Revised 10/04/18

PATENT PENDING

14508 Nelson Ave. City of Industry, CA 91744 • tel: 626.336.4511 • fax: 626.330.4266 • www.csllighting.com

©October 4, 2018 2:00 PM Creative Systems Lighting, A Division of Troy-CSL Lighting, Inc.

All rights reserved. Subject to change without notice.

