



The Overachiever
1", 3", 5" LED RECESSED DOWNLIGHT



ABOVE THE ORDINARY

Meet the high-performance, cost-effective LED Downlight designed to over deliver on light quality, efficiency, and configurability.

The ECO system of recessed downlights from CSL Lighting offers a versatile LED solution for general, task, or accent lighting. From Residential and Commercial to Hospitality and Retail, the ECO Downlight is available in adjustable and fixed models and can install into shallow plenums as low as 2½".

1", 3", 5" apertures deliver 700 to 2600 lumens with minimal glare. CSL Lighting uses the highest quality 90+ CRI, 2-Step SDCM LED chips powered by high-performance dimming drivers.

ECO housings pair perfectly with your choice of trim style and colors to bring the light where you need it and provide a clean ceiling aesthetic.

Backed by CSL's 30 year legacy of innovation, ECO Recessed Downlights are engineered with performance-grade aluminum and quality components that ensure extended life.

BEYOND VERSATILITY



ECO SHALLOW

ECO Downlights come ready to install into 2½" shallow plenums in drywall or grid ceilings with IC, Air Tight, and Chicago plenum certifications.

Minimum Plenum Height
2½ Inch

ED3SNIC shown

ECO L REMODEL IC

ED3LRIC, ED5LRIC

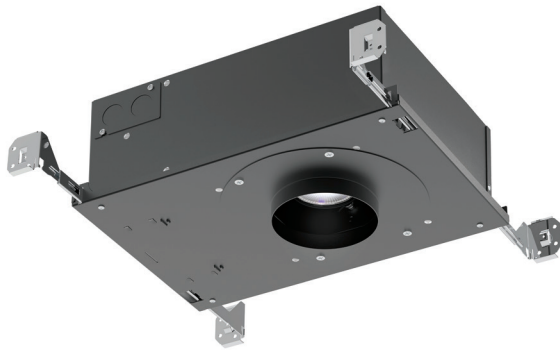
The ECO L Remodeler is native IC and fits easily into shallow plenums without a recessed housing installed.



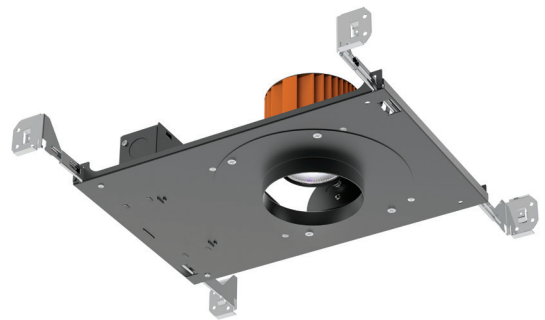
Minimum Plenum Height
3½ Inch

ED3LRIC shown

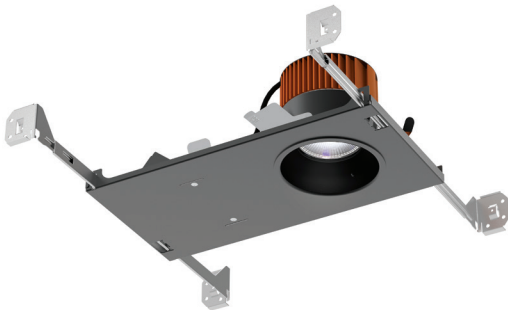
ECO's newly engineered housing system is available in 1", 3", and 5" aperture sizes and delivers the best design for the desired installation type. The improved housing and hanger bar structure speeds installation.



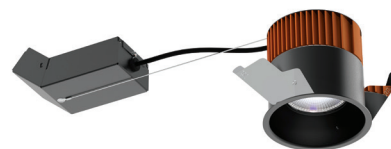
Adjustable, New Construction, IC
(ED3AIC shown)



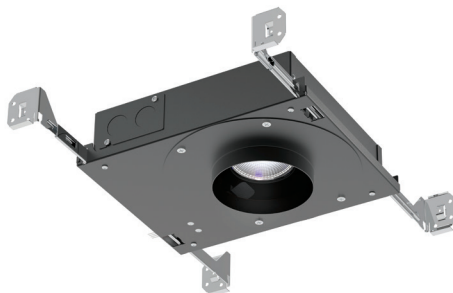
Adjustable, New Construction, Non-IC
(ED3ANC shown)



Fixed, New Construction, IC or Non-IC
(ED3NC shown)



Fixed, Remodel, IC or Non-IC
(ED3RM shown)



Fixed, Shallow Plenum, IC
(ED3SNIC shown)



Fixed

Adjustable

Wall Wash



ABOVE ALL EXPECTATIONS

ECO Recessed Downlights provide quality light, with minimal glare and maximum control, offering up to 1100 delivered lumens from a 1" aperture, 1900 lumens from a 3" aperture, 2600 from a 5" aperture.

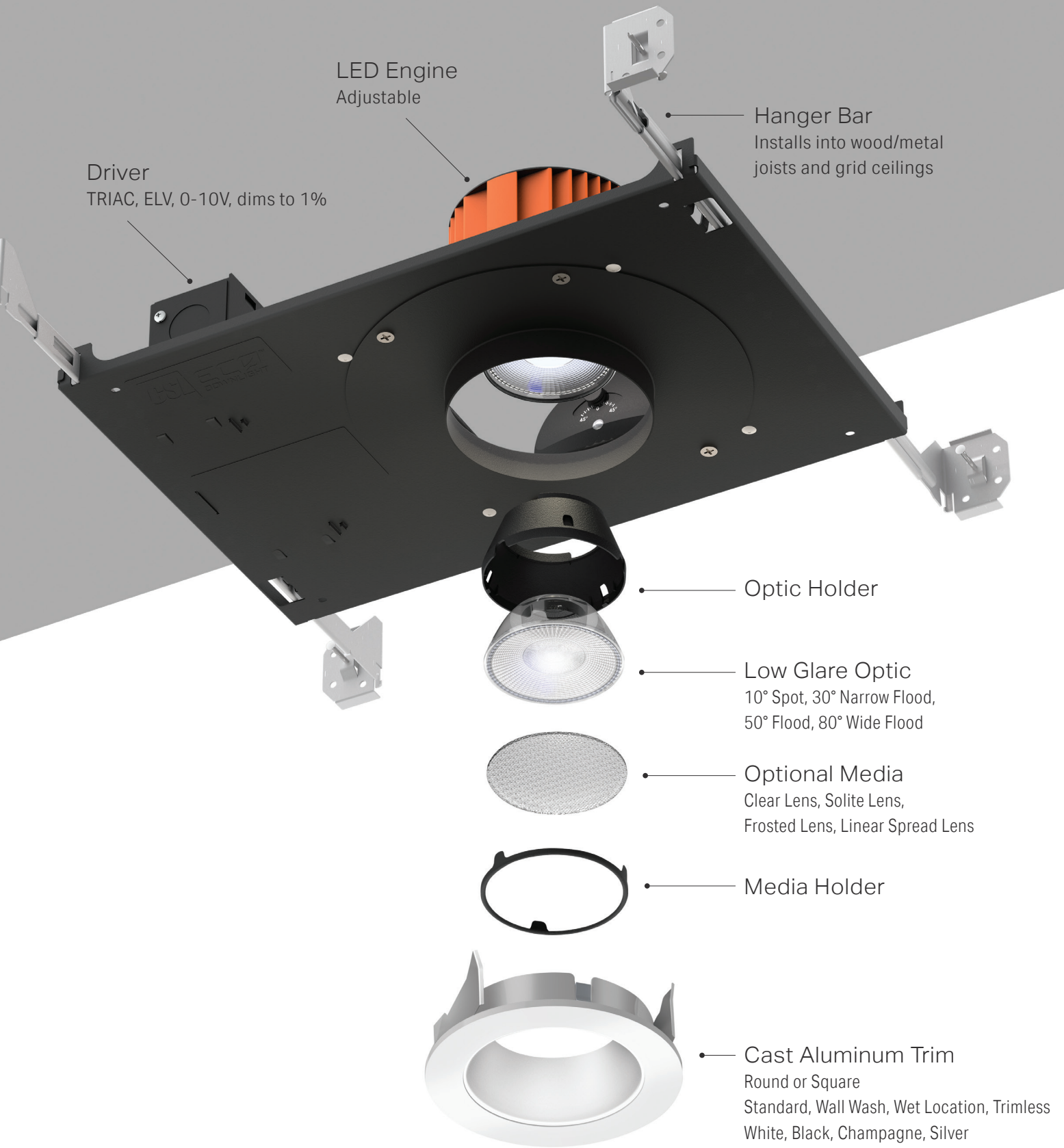
Part of the complete ECO system of recessed downlights, ECO L series delivers a lower-lumen, lower-cost option. The driver is accessible from below the ceiling on all models, including the ECO 1" and trimless styles to make serviceability quick and easy.

Experience high-performance light output and complete dimming control at maximum efficiency. ECO universal dimming drivers offer 1%-100% 0-10V, TRIAC, ELV, 120V/277V dimming. ECO L series phase control dimming drivers offer 1%-100% TRIAC, ELV, 120V/277V.



WARM DIM

As the lights dim, the color temperature goes from 3000K to 1800K, visually warming the space.

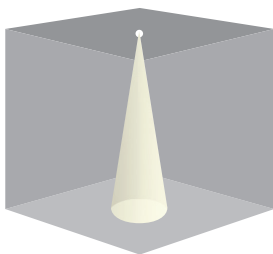


BEYOND PRECISE

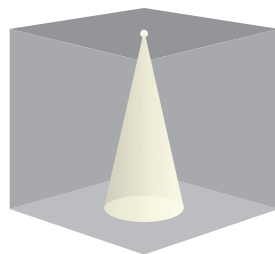
The ECO system of recessed downlights provides a full range of adjustable options to bring quality, minimal glare lighting exactly where you need it in any type of space.

Adjustable housing types permit up to 45° tilt with 360° rotation and include tilt angle indicator, providing easy and accurate aiming.

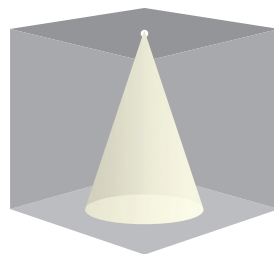
A 50° optic is installed with 10°, 30°, and 80° optics available to create a spot, narrow flood, flood or wide flood beam spread. Additional media options are available for added beam control.



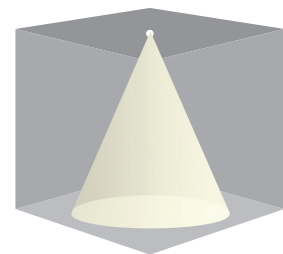
10° Spot



30° Narrow Flood



50° Flood



80° Wide Flood

ABOVE EFFICIENT



ECO 1"



ECO 3"



ECO 5"

MODELS	ED1, ED1L, ED1S	ED3, ED3L, ED3S	ED5, ED5L, ED5S
BEST FOR	Clean, Minimalist Design	General, Uniform Lighting	Larger Spaces, Higher Ceilings
WATTAGE	13.3W 9.6W 8.7W	20.1W 13.4W 11.3W	29.5W 24W 15.3W
DELIVERED LUMENS	Up to 1110 lm	Up to 1929 lm	Up to 2657 lm
EFFICACY	Up to 103 LPW	Up to 108 LPW	Up to 104 LPW
POSITION	Fixed or Adjustable		
CCT @ 90 CRI	2700K, 3000K, 3500K, 4000K, Warm Dim		
LIFETIME	55,000 hrs @ L90		
INPUT VOLTAGE	120/277V		
DIMMING TYPES	TRIAC, ELV, 0-10V 1%-100% (Consult Spec Sheet for full dimming details)		
SERVICABILITY	LED Downlight (Below Ceiling)		
APPLICATION	New Construction (IC, Non-IC) or Remodel (IC, Non-IC) or Shallow Plenum (IC)		
MIN PLENUM HEIGHT	Shallow Plenum Down to 2 1/2"		
OPTICS	50° Installed - 10°, 30°, 80° Available		
MEDIA	Clear, Solite, Frosted, Linear Spread		
TRIM STYLE	Round or Square (Standard, Wall Wash, Wet Location, Trimless)		
TRIM FINISH	White, Black, Champagne, Silver		

Note: Max delivered lumens available with 30° optic at 3500K CCT. Consult Spec Sheet for full product details.



BEYOND TRIM EXPECTATIONS

TRIM STYLES



Fixed Standard



Fixed Trimless



Wet Location



Adjustable Standard



Adjustable Trimless



Wall Wash



Fixed Standard



Fixed Trimless



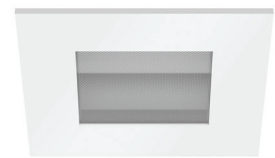
Wet Location



Adjustable Standard



Adjustable Trimless

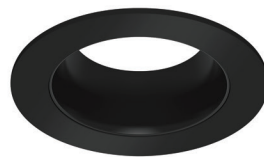


Wall Wash

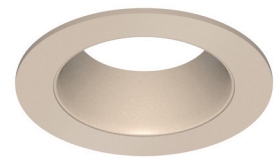
TRIM COLORS



White



Black



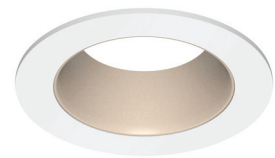
Champagne



Silver with White



Black with White



Champagne with White

ECO 1" ORDER MATRIX

ED1

ECO 1" HOUSING + LIGHT ENGINE ORDER MATRIX (Example: ED1AIC-309050-12S)

HOUSING BASE		LIGHT ENGINE			DRIVER ASSEMBLY	
FAMILY APERTURE	INSTALLATION TYPE	LED COLOR	CRI	OPTIC	WATTAGE	LED DIMMING DRIVER
<input type="checkbox"/> ED1 ECO 1"	<input type="checkbox"/> AIC¹ (Adjustable New Construction, IC, CCEA) <input type="checkbox"/> ANC¹ (Adj New Construction) <input type="checkbox"/> NC (New Construction) <input type="checkbox"/> RM (Remodel)	<input type="checkbox"/> -27 (2700K) <input type="checkbox"/> -30 (3000K) <input type="checkbox"/> -35 (3500K) <input type="checkbox"/> -40 (4000K)	90 (90 CRI)	50 (50° Flood) Installed 10° 30° 80° optics available from the Additional Optics Accessories table below	-12 (9.6W)	S Universal Dimming Driver (1%-100% 0-10V, TRIAC, ELV, 120V/277V)
<input type="checkbox"/> ED1 ECO 1" Warm Dim	<input type="checkbox"/> AIC^{1,2} (Adjustable New Construction, IC, CCEA) <input type="checkbox"/> ANC^{1,2} (Adj New Construction) <input type="checkbox"/> NIC² (New Construction IC) <input type="checkbox"/> RIC² (Remodel)	-WD² (1800K~3000K) Warm Dim	98 (98 CRI) Warm Dim	50 (50° Flood) Installed 10° 30° 80° optics available from the Additional Optics Accessories table below	-10² (8.7W) NIC or RIC Installation Type only -14^{2,3} (13.3W) AIC or ANC Installation Type only	S Universal Dimming Driver (1%-100% 0-10V, TRIAC, ELV, 120V/277V)

1. AIC and ANC: Trimless Style available, order associated Trimless Mudplate/Housing Collar from Trim Accessories.

2. AIC or ANC Installation Type and Wattage Code -14. NIC or RIC Installation Type and Wattage Code -10. Requires Optical Media Accessory.

3. Wattage Code -14 Title 24 JA-8 compliant only with 30° or 50° optic installed.

ED1L

ECO 1" HOUSING + LIGHT ENGINE ORDER MATRIX (Example: ED1LAIC-309050-10S)

HOUSING BASE		LIGHT ENGINE			DRIVER ASSEMBLY	
FAMILY APERTURE	INSTALLATION TYPE	LED COLOR	CRI	OPTIC	WATTAGE	LED DIMMING DRIVER
<input type="checkbox"/> ED1L ECO 1" LPD	<input type="checkbox"/> AIC¹ (Adjustable New Construction, IC, CCEA) <input type="checkbox"/> ANC¹ (Adj New Construction) <input type="checkbox"/> NIC (New Construction IC) <input type="checkbox"/> RIC (Remodel IC)	<input type="checkbox"/> -27 (2700K) <input type="checkbox"/> -30 (3000K) <input type="checkbox"/> -35 (3500K) <input type="checkbox"/> -40 (4000K)	90 (90 CRI)	50 (50° Flood) Installed 10° 30° 80° optics available from the Additional Optics Accessories table below	-10 (8.7W)	S Universal Dimming Driver (1%-100% 0-10V, TRIAC, ELV, 120V/277V)

1. AIC and ANC: Trimless Style available, order associated Trimless Mudplate/Housing Collar from Trim Accessories.

ED1S

ECO 1" HOUSING + LIGHT ENGINE ORDER MATRIX (Example: ED1SNIC-309050-12A1)

HOUSING BASE		LIGHT ENGINE			DRIVER ASSEMBLY	
FAMILY APERTURE	INSTALLATION TYPE	LED COLOR	CRI	OPTIC	WATTAGE	LED DIMMING DRIVER
<input type="checkbox"/> ED1S ECO 1" Shallow	NIC¹ (Shallow Plenum New Construction, IC, CCEA)	<input type="checkbox"/> -27 (2700K) <input type="checkbox"/> -30 (3000K) <input type="checkbox"/> -35 (3500K) <input type="checkbox"/> -40 (4000K)	90 (90 CRI)	50 (50° Flood) Installed 10° 30° 80° optics available from the Additional Optics Accessories table below	-12 (9.6W)	A1 Phase Control Dimming Driver (5%-100% TRIAC, ELV, 120V)
<input type="checkbox"/> ED1S ECO 1" Warm Dim Shallow	NIC¹ (Shallow Plenum New Construction, IC, CCEA)	-WD² (1800K~3000K) Warm Dim	98 (98 CRI) Warm Dim	50 (50° Flood) Installed	-12 (9.6W)	A1 Phase Control Dimming Driver (5%-100% TRIAC, ELV, 120V)

1. Trimless Style available, order associated Trimless Mudplate/Housing Collar from Trim Accessories. 2. Requires Optical Media Accessory.

ACCESSORIES

ECO 1" ACCESSORIES FOR ED1, ED1L, ED1S

ADDITIONAL OPTICS	
<input type="checkbox"/> ED1-10-OPTIC¹	(10° Spot)
<input type="checkbox"/> ED1-30-OPTIC¹	(30° Narrow Flood)
<input type="checkbox"/> ED1-50-OPTIC¹	(50° Flood)
<input type="checkbox"/> ED1-80-OPTIC²	(80° Wide Flood)

1. WD with 10°, 30°, 50° Optic requires MP (Solite Lens).
2. WD with 80° Optic requires FR (Frosted Lens).

OPTICAL MEDIA	
<input type="checkbox"/> ED1-CL	(Clear Lens)
<input type="checkbox"/> ED1-MP¹	(Solite Lens)
<input type="checkbox"/> ED1-FR²	(Frosted Lens)
<input type="checkbox"/> ED1-LS	(Linear Spread Lens)
<input type="checkbox"/> ED1-MHLDR³	(Media Holder)

3. MHLDR required when ordering any optical media.

EMERGENCY OPTIONS

<input type="checkbox"/> EM-1000	(25W Remote Inverter)
<input type="checkbox"/> EM-1002	(10W Remote Inverter)
<input type="checkbox"/> EM-1003	(35W Remote Inverter)
<input type="checkbox"/> EM-1003-CA	(35W Remote Inverter) Title 20
<input type="checkbox"/> EM-1004	(50W Remote Inverter)
<input type="checkbox"/> EM-1006	(25W Remote Inverter) Title 20

ECO 3" ORDER MATRIX

ED3

ECO 3" HOUSING + LIGHT ENGINE ORDER MATRIX (Example: ED3AIC-309050-21S)

HOUSING BASE		LIGHT ENGINE			DRIVER ASSEMBLY	
FAMILY APERTURE	INSTALLATION TYPE	LED COLOR	CRI	OPTIC	WATTAGE	LED DIMMING DRIVER
<input type="checkbox"/> ED3 ECO 3"	<input type="checkbox"/> AIC ¹ (Adjustable New Construction, IC, CCEA) <input type="checkbox"/> ANC ¹ (Adj New Construction) <input type="checkbox"/> NC (New Construction) <input type="checkbox"/> RM (Remodel)	<input type="checkbox"/> -27 (2700K) <input type="checkbox"/> -30 (3000K) <input type="checkbox"/> -35 (3500K) <input type="checkbox"/> -40 (4000K)	90 (90 CRI)	50 (50° Flood) Installed 10°, 30°, 80° optics available from the Additional Optics Accessories table below	-21 (20.1W)	S Universal Dimming Driver (1%-100% 0-10V, TRIAC, ELV, 120V/277V)
<input type="checkbox"/> ED3 ECO 3" Warm Dim	<input type="checkbox"/> AIC ^{1,2} (Adjustable New Construction, IC, CCEA) <input type="checkbox"/> ANC ^{1,2} (Adj New Construction) <input type="checkbox"/> NIC ² (New Construction IC) <input type="checkbox"/> RIC ² (Remodel)	<input type="checkbox"/> -WD ² (1800K~3000K) Warm Dim	98 (98 CRI) Warm Dim	50 (50° Flood) Installed 10°, 30°, 80° optics available from the Additional Optics Accessories table below	-15 ² (8.7W) NIC or RIC Installation Type only -21 ^{2,3} (13.3W) AIC or ANC Installation Type only	S Universal Dimming Driver (1%-100% 0-10V, TRIAC, ELV, 120V/277V)

1. AIC and ANC: Trimless Style available, order associated Trimless Mudplate/Housing Collar from Trim Accessories.

2. AIC or ANC Installation Type and Wattage Code -21. NIC or RIC Installation Type and Wattage Code -15. Requires Optical Media Accessory.

3. Wattage Code -21 Title 24 JA-8 compliant only with 10°, 30° or 50° optic installed.

ED3L

ECO 3" HOUSING + LIGHT ENGINE ORDER MATRIX (Example: ED3LAIC-309050-12S2)

HOUSING BASE		LIGHT ENGINE			DRIVER ASSEMBLY	
FAMILY APERTURE	INSTALLATION TYPE	LED COLOR	CRI	OPTIC	WATTAGE	LED DIMMING DRIVER
<input type="checkbox"/> ED3L ECO 3" LPD	<input type="checkbox"/> AIC ¹ (Adjustable New Construction, IC, CCEA) <input type="checkbox"/> ANC ¹ (Adj New Construction) <input type="checkbox"/> NIC (New Construction IC) <input type="checkbox"/> RIC (Remodel IC)	<input type="checkbox"/> -27 (2700K) <input type="checkbox"/> -30 (3000K) <input type="checkbox"/> -35 (3500K) <input type="checkbox"/> -40 (4000K)	90 (90 CRI)	50 (50° Flood) Installed 10°, 30°, 80° optics available from the Additional Optics Accessories table below	-12 (11.3W)	S2 Phase Control Dimming Driver (1%-100% TRIAC, ELV, 120V)

1. AIC and ANC: Trimless Style available, order associated Trimless Mudplate/Housing Collar from Trim Accessories.

ED3S

ECO 3" HOUSING + LIGHT ENGINE ORDER MATRIX (Example: ED3SNIC-309050-15S)

HOUSING BASE		LIGHT ENGINE			DRIVER ASSEMBLY	
FAMILY APERTURE	INSTALLATION TYPE	LED COLOR	CRI	OPTIC	WATTAGE	LED DIMMING DRIVER
<input type="checkbox"/> ED3S ECO 3" Shallow	NIC ¹ (Shallow Plenum New Construction, IC, CCEA)	<input type="checkbox"/> -27 (2700K) <input type="checkbox"/> -30 (3000K) <input type="checkbox"/> -35 (3500K) <input type="checkbox"/> -40 (4000K)	90 (90 CRI)	50 (50° Flood) Installed 10°, 30°, 80° optics available from the Additional Optics Accessories table below	-15 (13.4W)	S Universal Dimming Driver (1%-100% 0-10V, TRIAC, ELV, 120V/277V)
<input type="checkbox"/> ED3S ECO 3" Warm Dim Shallow	NIC ¹ (Shallow Plenum New Construction, IC, CCEA)	<input type="checkbox"/> -WD ² (1800K~3000K) Warm Dim	98 (98 CRI) Warm Dim	50 (50° Flood) Installed	-15 (13.4W)	S Universal Dimming Driver (1%-100% 0-10V, TRIAC, ELV, 120V/277V)

1. Trimless Style available, order associated Trimless Mudplate/Housing Collar from Trim Accessories. 2. Requires Optical Media Accessory.

ACCESSORIES

ECO 3" ACCESSORIES FOR ED3, ED3L, ED3S

ADDITIONAL OPTICS
<input type="checkbox"/> ED3-10-OPTIC ¹ (10° Spot)
<input type="checkbox"/> ED3-30-OPTIC ¹ (30° Narrow Flood)
<input type="checkbox"/> ED3-50-OPTIC ¹ (50° Flood)
<input type="checkbox"/> ED3-80-OPTIC ² (80° Wide Flood)

1. WD with 10°, 30°, 50° Optic requires MP (Solite Lens).
2. WD with 80° Optic requires FR (Frosted Lens).

OPTICAL MEDIA
<input type="checkbox"/> ED3-CL (Clear Lens)
<input type="checkbox"/> ED3-MP ¹ (Solite Lens)
<input type="checkbox"/> ED3-FR ² (Frosted Lens)
<input type="checkbox"/> ED3-LS (Linear Spread Lens)
<input type="checkbox"/> ED3-MHLDR ^{3,4} (Media Holder)

3. MHLDR required when ordering 2 optical media.
4. MHLDR only compatible with AIC, ANC and SNIC.

EMERGENCY OPTIONS

<input type="checkbox"/> EM-1000 (25W Remote Inverter)
<input type="checkbox"/> EM-1002 (10W Remote Inverter)
<input type="checkbox"/> EM-1003 (35W Remote Inverter)
<input type="checkbox"/> EM-1003-CA (35W Remote Inverter) Title 20
<input type="checkbox"/> EM-1004 (50W Remote Inverter)
<input type="checkbox"/> EM-1006 (25W Remote Inverter) Title 20

ECO 5" ORDER MATRIX

ED5

ECO 5" HOUSING + LIGHT ENGINE ORDER MATRIX (Example: ED5AIC-309050-30S)

HOUSING BASE		LIGHT ENGINE			DRIVER ASSEMBLY	
FAMILY APERTURE	INSTALLATION TYPE	LED COLOR	CRI	OPTIC	WATTAGE	LED DIMMING DRIVER
<input type="checkbox"/> ED5 ECO 5"	<input type="checkbox"/> AIC¹ (Adjustable New Construction, IC, CCEA) <input type="checkbox"/> ANC¹ (Adj New Construction) <input type="checkbox"/> NC (New Construction) <input type="checkbox"/> RM (Remodel)	<input type="checkbox"/> -27 (2700K) <input type="checkbox"/> -30 (3000K) <input type="checkbox"/> -35 (3500K) <input type="checkbox"/> -40 (4000K)	90 (90 CRI)	50 (50° Flood) Installed 10° 30° 80° optics available from the Additional Optics Accessories table below	-30 (29.5W)	S Universal Dimming Driver (1%-100% 0-10V, TRIAC, ELV, 120V/277V)
<input type="checkbox"/> ED5 ECO 5" Warm Dim	<input type="checkbox"/> AIC^{1,2} (Adjustable New Construction, IC, CCEA) <input type="checkbox"/> ANC^{1,2} (Adj New Construction) <input type="checkbox"/> NIC² (New Construction IC) <input type="checkbox"/> RIC² (Remodel)	-WD² (1800K~3000K) Warm Dim	98 (98 CRI) Warm Dim	50 (50° Flood) Installed 10° 30° 80° optics available from the Additional Optics Accessories table below	-16² (15.3W) NIC or RIC Installation Type only -25^{2,3} (24W) AIC or ANC Installation Type only	S Universal Dimming Driver (1%-100% 0-10V, TRIAC, ELV, 120V/277V)

1. AIC and ANC: Trimless Style available, order associated Trimless Mudplate/Housing Collar from Trim Accessories.

2. AIC or ANC Installation Type and Wattage Code -25. NIC or RIC Installation Type and Wattage Code -16. Requires Optical Media Accessory.

3. Wattage Code -25 Title 24 JA-8 compliant only with 10°, 30° or 50° optic installed.

ED5L

ECO 5" HOUSING + LIGHT ENGINE ORDER MATRIX (Example: ED5LAIC-309050-16S2)

HOUSING BASE		LIGHT ENGINE			DRIVER ASSEMBLY	
FAMILY APERTURE	INSTALLATION TYPE	LED COLOR	CRI	OPTIC	WATTAGE	LED DIMMING DRIVER
<input type="checkbox"/> ED5L ECO 5" LPD	<input type="checkbox"/> AIC¹ (Adjustable New Construction, IC, CCEA) <input type="checkbox"/> ANC¹ (Adj New Construction) <input type="checkbox"/> NIC (New Construction IC) <input type="checkbox"/> RIC (Remodel IC)	<input type="checkbox"/> -27 (2700K) <input type="checkbox"/> -30 (3000K) <input type="checkbox"/> -35 (3500K) <input type="checkbox"/> -40 (4000K)	90 (90 CRI)	50 (50° Flood) Installed 10° 30° 80° optics available from the Additional Optics Accessories table below	-16 (15.3W)	S2 Phase Control Dimming Driver (5%-100% TRIAC, ELV, 120V)

1. AIC and ANC: Trimless Style available, order associated Trimless Mudplate/Housing Collar from Trim Accessories.

ED5S

ECO 5" HOUSING + LIGHT ENGINE ORDER MATRIX (Example: ED5SNIC-309050-25S)

HOUSING BASE		LIGHT ENGINE			DRIVER ASSEMBLY	
FAMILY APERTURE	INSTALLATION TYPE	LED COLOR	CRI	OPTIC	WATTAGE	LED DIMMING DRIVER
<input type="checkbox"/> ED5S ECO 5" Shallow	NIC¹ (Shallow Plenum New Construction, IC, CCEA)	<input type="checkbox"/> -27 (2700K) <input type="checkbox"/> -30 (3000K) <input type="checkbox"/> -35 (3500K) <input type="checkbox"/> -40 (4000K)	90 (90 CRI)	50 (50° Flood) Installed 10° 30° 80° optics available from the Additional Optics Accessories table below	-25 (24W)	S Universal Dimming Driver (1%-100% 0-10V, TRIAC, ELV, 120V/277V)
<input type="checkbox"/> ED5S ECO 5" Warm Dim Shallow	NIC¹ (Shallow Plenum New Construction, IC, CCEA)	-WD² (1800K~3000K) Warm Dim	98 (98 CRI) Warm Dim	50 (50° Flood) Installed	-25 (24W)	S Universal Dimming Driver (1%-100% 0-10V, TRIAC, ELV, 120V/277V)

1. Trimless Style available, order associated Trimless Mudplate/Housing Collar from Trim Accessories. 2. Requires Optical Media Accessory.

ACCESSORIES

ECO 5" ACCESSORIES FOR ED5, ED5L, ED5S

ADDITIONAL OPTICS	
<input type="checkbox"/> ED5-10-OPTIC¹	(10° Spot)
<input type="checkbox"/> ED5-30-OPTIC¹	(30° Narrow Flood)
<input type="checkbox"/> ED5-50-OPTIC¹	(50° Flood)
<input type="checkbox"/> ED5-80-OPTIC²	(80° Wide Flood)

1. WD with 10°, 30°, 50° Optic requires MP (Solite Lens).
 2. WD with 80° Optic requires FR (Frosted Lens).

OPTICAL MEDIA	
<input type="checkbox"/> ED5-CL	(Clear Lens)
<input type="checkbox"/> ED5-MP¹	(Solite Lens)
<input type="checkbox"/> ED5-FR¹	(Frosted Lens)
<input type="checkbox"/> ED5-LS	(Linear Spread Lens)
<input type="checkbox"/> ED5-MHLDR^{3,4}	(Media Holder)

3. MHLDR required when ordering 2 optical media.
 4. MHLDR only compatible with AIC, ANC and SNIC.

EMERGENCY OPTIONS

<input type="checkbox"/> EM-1000	(25W Remote Inverter)
<input type="checkbox"/> EM-1002	(10W Remote Inverter)
<input type="checkbox"/> EM-1003	(35W Remote Inverter)
<input type="checkbox"/> EM-1003-CA	(35W Remote Inverter) Title 20
<input type="checkbox"/> EM-1004	(50W Remote Inverter)
<input type="checkbox"/> EM-1006	(25W Remote Inverter) Title 20

1", 3", 5" TRIM ORDER MATRIX

1" TRIM

ECO 1" DOWNLIGHT TRIM ORDER MATRIX (Example: ED1-RSTWT)

APERTURE	SHAPE	STYLE	FINISH	
<input type="checkbox"/> ED1- ECO 1"	<input type="checkbox"/> R (Round) <input type="checkbox"/> S (Square)	<input type="checkbox"/> ST (Standard) <input type="checkbox"/> WL (Wet Location) <input type="checkbox"/> TL ¹ (Standard Trimless)	<input type="checkbox"/> WT (White) <input type="checkbox"/> BK (Black) <input type="checkbox"/> CN (Champagne)	<input type="checkbox"/> BW ² (Black w/ White Flange) <input type="checkbox"/> SW ² (Silver w/ White Flange) <input type="checkbox"/> CW ² (Champagne w/ White Flange)

1. Must order associated Mudplate from Trim Accessories. Trimless Style for use with AIC, ANC, and SNIC models only. 2. Color option available in ST (Standard) Style only

ECO 1" TRIM ACCESSORIES ORDER MATRIX (Example: ED1-R-TL)

SIZE	STYLE	
<input type="checkbox"/> ED1- ECO 1"	<input type="checkbox"/> R-TL (Round Trimless Mudplate) <input type="checkbox"/> S-TL (Square Trimless Mudplate) <input type="checkbox"/> R-FMA (Round Flush Mount Adapter)	<input type="checkbox"/> S-FMA (Square Flush Mount Adapter) <input type="checkbox"/> TC1 (Thick Ceiling Adapter for ceilings 1 ¹ / ₁₆ " to 1 ¹ / ₄ ") <input type="checkbox"/> TC2 (Thick Ceiling Adapter for ceilings 1 ⁵ / ₁₆ " to 2")

3" TRIM

ECO 3" DOWNLIGHT TRIM ORDER MATRIX (Example: ED3-RFSTWT)

APERTURE	SHAPE	POSITION	STYLE	FINISH	
<input type="checkbox"/> ED3- ECO 3"	<input type="checkbox"/> R (Round) <input type="checkbox"/> S (Square)	<input type="checkbox"/> F (Fixed) <input type="checkbox"/> A (Adjustable)	<input type="checkbox"/> ST (Standard) <input type="checkbox"/> WW ^{1,2} (Wall Wash) <input type="checkbox"/> WL ¹ (Wet Location) <input type="checkbox"/> TL ³ (Standard Trimless)	<input type="checkbox"/> WT (White) <input type="checkbox"/> BK (Black) <input type="checkbox"/> CN (Champagne)	<input type="checkbox"/> BW ⁴ (Black w/ White Flange) <input type="checkbox"/> SW ⁴ (Silver w/ White Flange) <input type="checkbox"/> CW ⁴ (Champagne w/ White Flange)

1. Use F (Fixed Position) for WW (Wall Wash) and WL (Wet Location) style. 2. WW (Wall Wash) Style Trim ships with recommended 80° optic. 3. Must order associated Mudplate from Trim Accessories. Trimless Style for use with AIC, ANC, and SNIC models only. 4. Color option available in ST (Standard) Style only.

ECO 3" TRIM ACCESSORIES ORDER MATRIX (Example: ED3-R-TL)

SIZE	STYLE	
<input type="checkbox"/> ED3- ECO 3"	<input type="checkbox"/> R-TL (Round Trimless Mudplate) <input type="checkbox"/> S-TL (Square Trimless Mudplate) <input type="checkbox"/> R-FMA (Round Flush Mount Adapter)	<input type="checkbox"/> S-FMA (Square Flush Mount Adapter) <input type="checkbox"/> TC1 (Thick Ceiling Adapter for ceilings 1 ¹ / ₁₆ " to 1 ¹ / ₄ ") <input type="checkbox"/> TC2 (Thick Ceiling Adapter for ceilings 1 ⁵ / ₁₆ " to 2")

5" TRIM

ECO 5" DOWNLIGHT TRIM ORDER MATRIX (Example: ED5-RFSTWT)

APERTURE	SHAPE	POSITION	STYLE	FINISH	
<input type="checkbox"/> ED5- ECO 5"	<input type="checkbox"/> R (Round) <input type="checkbox"/> S (Square)	<input type="checkbox"/> F (Fixed) <input type="checkbox"/> A (Adjustable)	<input type="checkbox"/> ST (Standard) <input type="checkbox"/> WW ^{1,2} (Wall Wash) <input type="checkbox"/> WL ¹ (Wet Location) <input type="checkbox"/> TL ³ (Standard Trimless)	<input type="checkbox"/> WT (White) <input type="checkbox"/> BK (Black) <input type="checkbox"/> CN (Champagne)	<input type="checkbox"/> BW ⁴ (Black w/ White Flange) <input type="checkbox"/> SW ⁴ (Silver w/ White Flange) <input type="checkbox"/> CW ⁴ (Champagne w/ White Flange)

1. Use F (Fixed Position) for WW (Wall Wash) and WL (Wet Location) style. 2. WW (Wall Wash) Style Trim ships with recommended 80° optic. 3. Must order associated Mudplate from Trim Accessories. Trimless Style for use with AIC, ANC, and SNIC models only. 4. Color option available in ST (Standard) Style only.

ECO 5" TRIM ACCESSORIES ORDER MATRIX (Example: ED5-R-TL)

SIZE	STYLE	
<input type="checkbox"/> ED5- ECO 5"	<input type="checkbox"/> R-TL (Round Trimless Mudplate) <input type="checkbox"/> S-TL (Square Trimless Mudplate) <input type="checkbox"/> R-FMA (Round Flush Mount Adapter)	<input type="checkbox"/> S-FMA (Square Flush Mount Adapter) <input type="checkbox"/> TC1 (Thick Ceiling Adapter for ceilings 1 ¹ / ₁₆ " to 1 ¹ / ₄ ") <input type="checkbox"/> TC2 (Thick Ceiling Adapter for ceilings 1 ⁵ / ₁₆ " to 2")



Scan code for
product video

A Division of Troy-CSL Lighting, Inc.
14508 Nelson Avenue
City of Industry, CA 91744
P: 626.336.4511 • F: 626.330.4266
www.csllighting.com
Copyright ©2022 Troy-CSL Lighting, Inc.



Created 01/20/2022