

READ AND FOLLOW ALL SAFETY INSTRUCTION! SAVE THESE INSTRUCTIONS AND DELIVER TO OWNER AFTER INSTALLATION.

⚠ WARNING: RISK OF ELECTRIC SHOCK

- Before installation, servicing, or performing routine maintenance disconnect power by turning off the circuit breakers both to the outlet box and to its associated wall switch
- Installation and service of luminaires should be performed by a qualified licensed electrician in accordance with all local and National Electrical Codes
- DO NOT install damaged product
- Verify that supply voltage is correct by comparing it with the luminaire label information
- All wiring connections should be capped with UL approved recognized wire connectors

⚠ WARNING: RISK OF INJURY

- Allow luminaire to cool before servicing and performing maintenance
- Follow all manufacturer's warnings and restrictions for: driver type, mounting locations, replacement and recycling
- Wear safety glasses and gloves when installing, maintaining or servicing
- Avoid direct eye exposure to the light source while it is on

⚠ WARNING: RISK OF FIRE

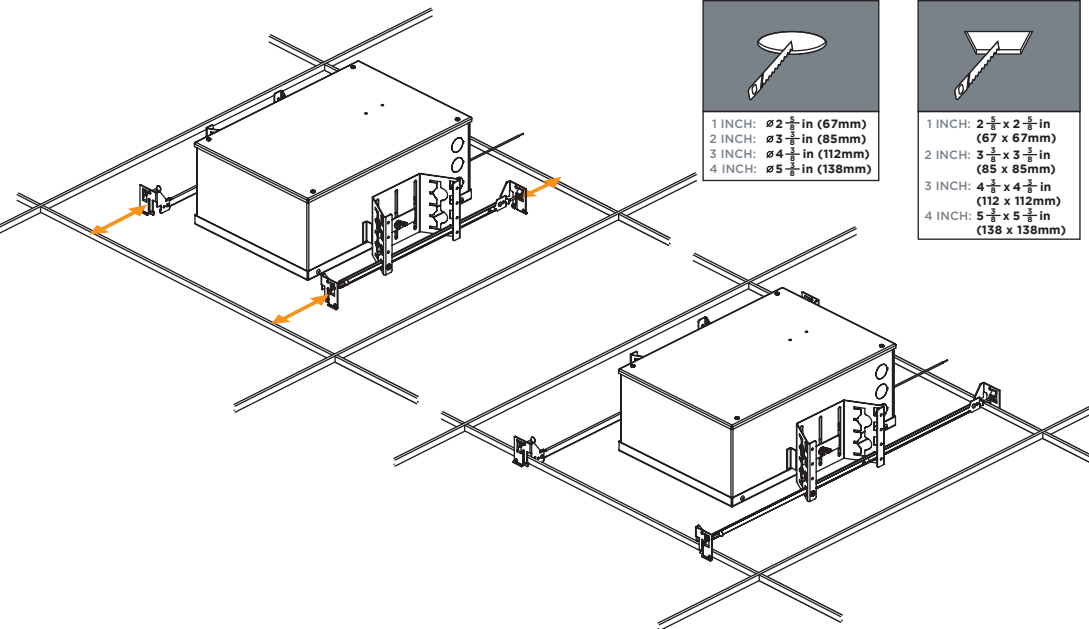
- Keep combustible material away from luminaire
- Do not install insulation within 3" (76mm) of any part of the luminaire or in a way that may entrap heat

⚠ WARNING: RISK OF PRODUCT DAMAGE

- Never connect components under load
- Do not touch the yellow surface of the LED as it may damage the light engine

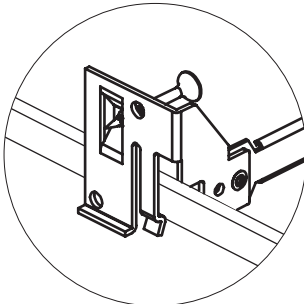
STEP 1 - FRAME INSTALL / HORIZONTAL ADJUSTMENT

SPREAD HANGER BARS TO APPROPRIATE DISTANCE. FASTEN WITH HARDWARE (BY OTHERS) TO PREVENT VERTICAL MOVEMENT OF FIXTURE.



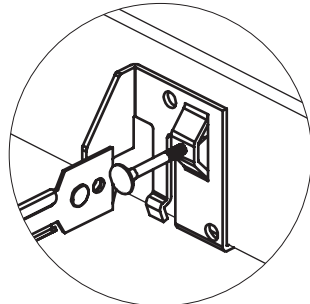
1 INCH:	$\varnothing 2 \frac{1}{8}$ in (67mm)
2 INCH:	$\varnothing 3 \frac{1}{8}$ in (85mm)
3 INCH:	$\varnothing 4 \frac{1}{8}$ in (112mm)
4 INCH:	$\varnothing 5 \frac{1}{8}$ in (138mm)

1 INCH:	$2 \frac{1}{8} \times 2 \frac{1}{8}$ in (67 x 67mm)
2 INCH:	$3 \frac{1}{8} \times 3 \frac{1}{8}$ in (85 x 85mm)
3 INCH:	$4 \frac{1}{8} \times 4 \frac{1}{8}$ in (112 x 112mm)
4 INCH:	$5 \frac{1}{8} \times 5 \frac{1}{8}$ in (138 x 138mm)



T-BAR

ROUND (DOWNLIGHT) SHOWN. FOLLOW SAME STEPS FOR SQUARE

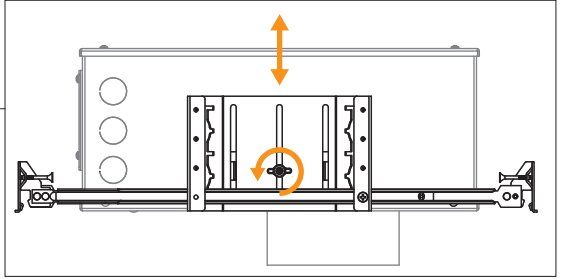
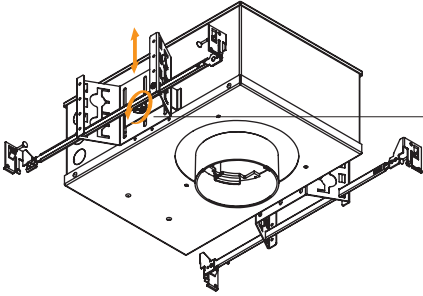


WOOD

STEP 2A - VERTICAL ADJUSTMENT

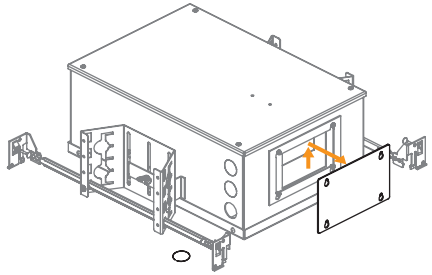
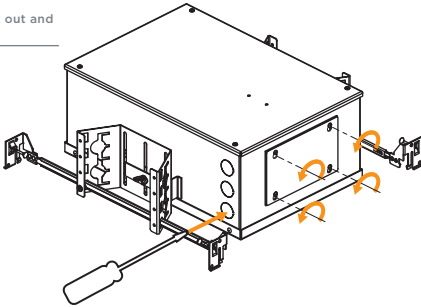
DOUBLE SIDE ADJUSTMENT / OUTSIDE

Loose the wing nuts to adjust the height of the housing, then tighten.

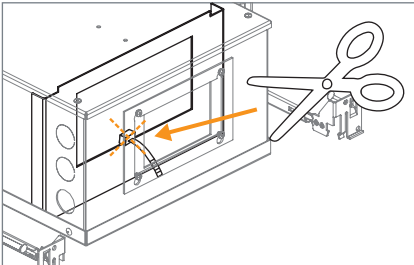


STEP 3 - MAKE ELECTRICAL CONNECTION

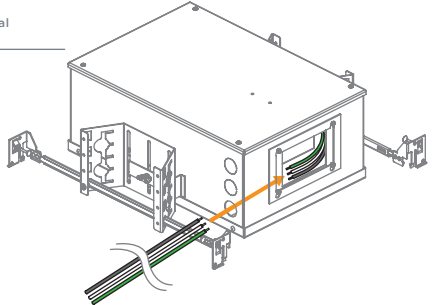
Step 3-1 :
Remove knock out and
access cover



Step 3-2 :
Must cut the cable
tie for transport.

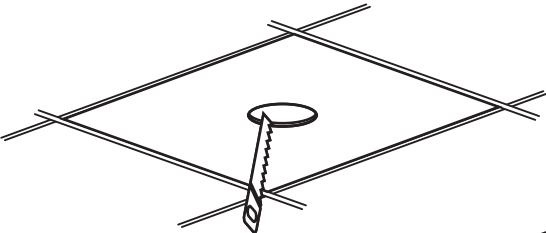


Step 3-3 :
Make electrical
connection.

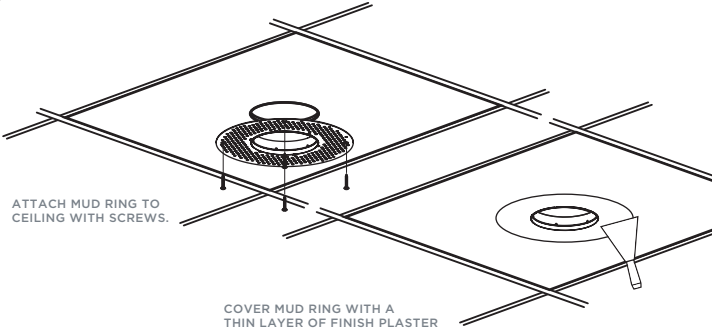


STEP 4A - CEILING CUTOUT

FOR TRIMLESS SEE 4B.



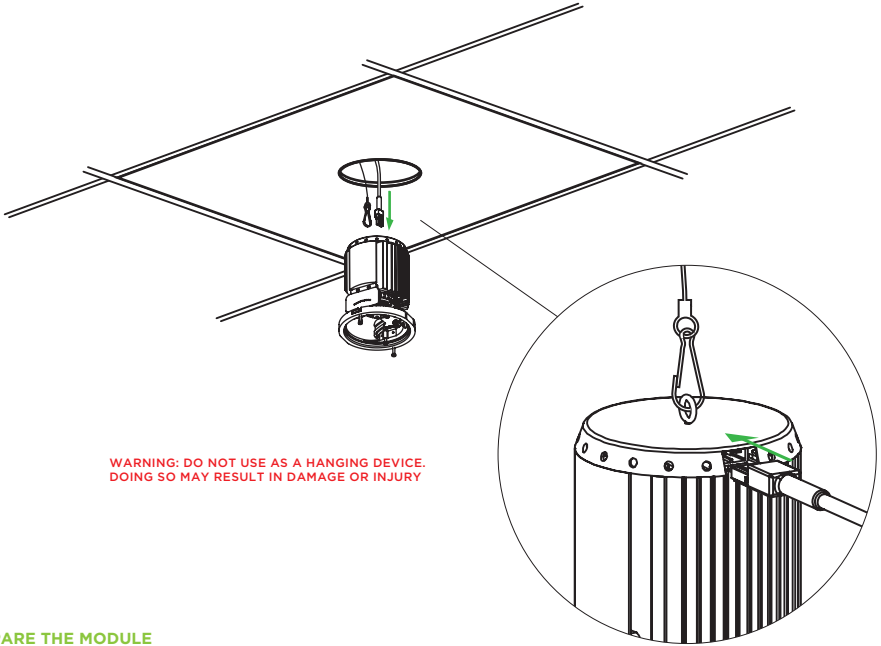
STEP 4B - MUD RING (TRIMLESS ONLY)



ATTACH MUD RING TO CEILING WITH SCREWS.

COVER MUD RING WITH A THIN LAYER OF FINISH PLASTER

STEP 1 - MAKE ELECTRICAL CONNECTION AND INSTALL SAFETY HOOK



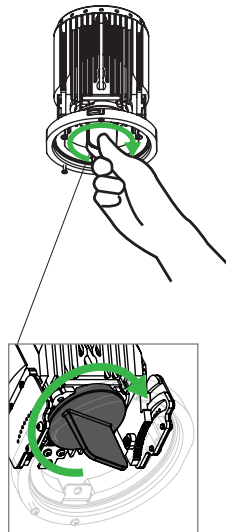
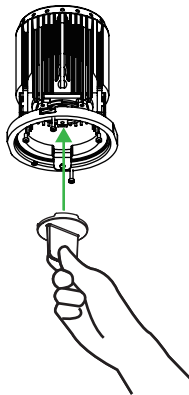
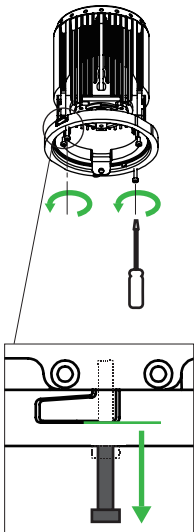
WARNING: DO NOT USE AS A HANGING DEVICE. DOING SO MAY RESULT IN DAMAGE OR INJURY

STEP 2 - PREPARE THE MODULE

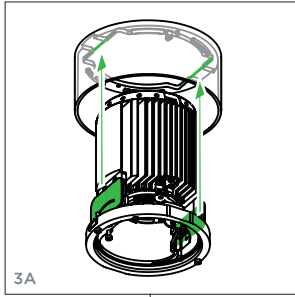
Step 2-1 :
Release the Screws
to this level.

Step 2-2 :
Locate the tool into the
module.

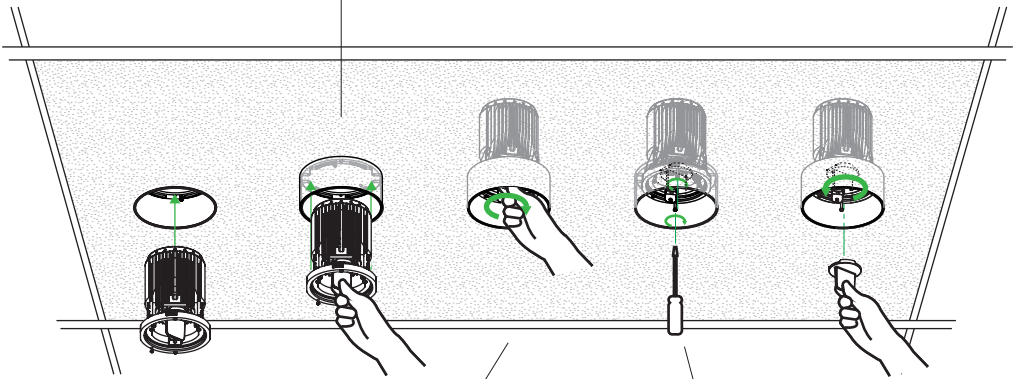
Step 2-3 :
Twist and lock the tool.



STEP 3 - INSTALL THE MODULE



3A



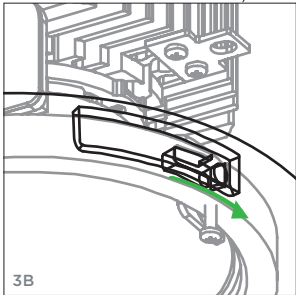
Step 3-1 :
Insert the module to
the collar

Step 3-2 :
Align the module
with the collar. (3A)

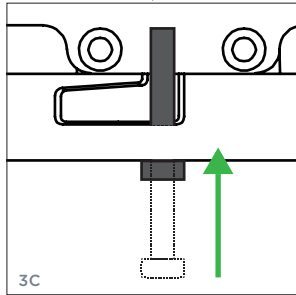
Step 3-3 :
Twist and lock the
module clockwise.
(3B)

Step 3-4 :
Tighten the screws
to secure the
module. (3C)

Step 3-5 :
Twist and release
the tool anticlockwise.
(↺)



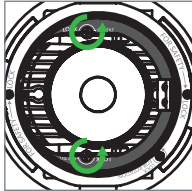
3B



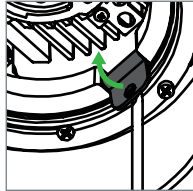
3C

STEP 4 - TILT ANGLE ADJUSTMENT 0° - 40°

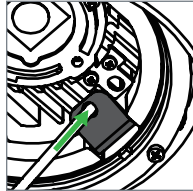
Step 4-1 :
Release this two Screws
of Lock for Tilt.



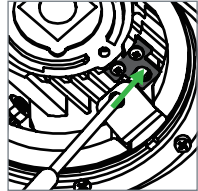
Step 4-2 :
Insert screwdriver through
the first clip



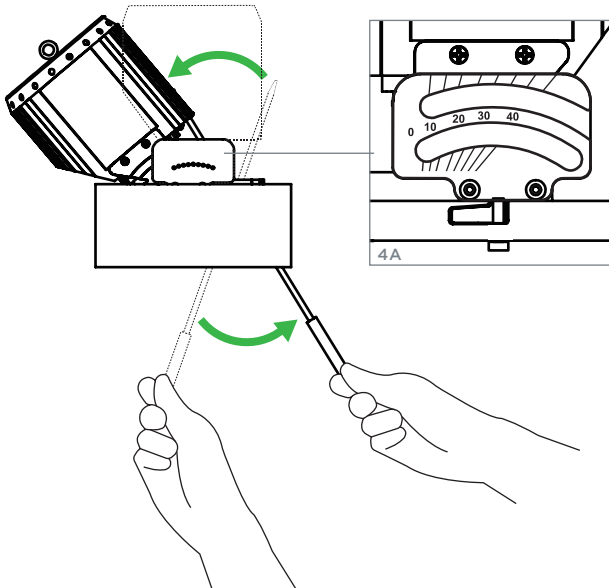
Step 4-3 :
Push the screwdriver to the
heat sink



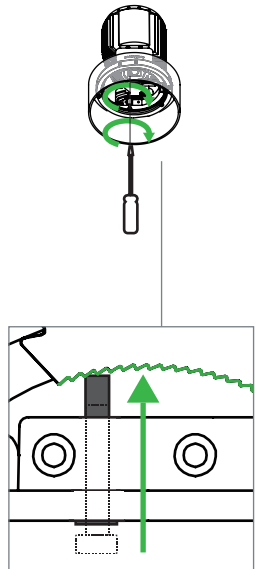
Step 4-4:
Insert screwdriver through the
second clip



Step 4-5 :
Use the Screwdriver and
adjust tilt angle, Scales on
the two side of module. (4A)

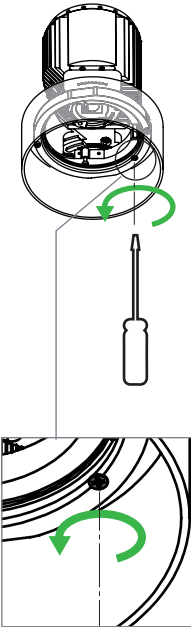


Step 4-6 :
Tight two Screws of Lock
for Tilt.

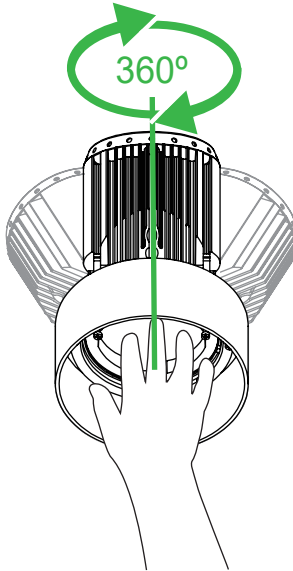


STEP 5 - ROTATION ADJUSTMENT 360°

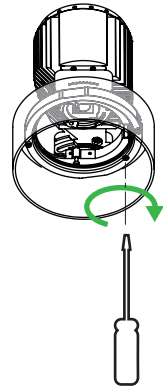
Step 5-1:
Release the Screw
of Lock for Rotation.



Step 5-2:
Adjust rotate.

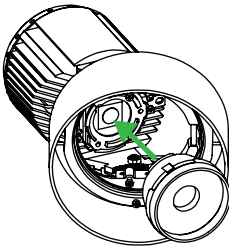


Step 5-3:
Tighten the Screw
of Lock for Rotation.

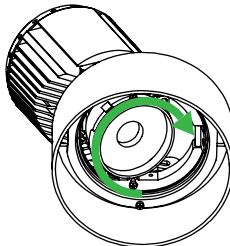


STEP 6 - INSTALL THE LENS

Step 6-1:
Locate the lens into the
module.

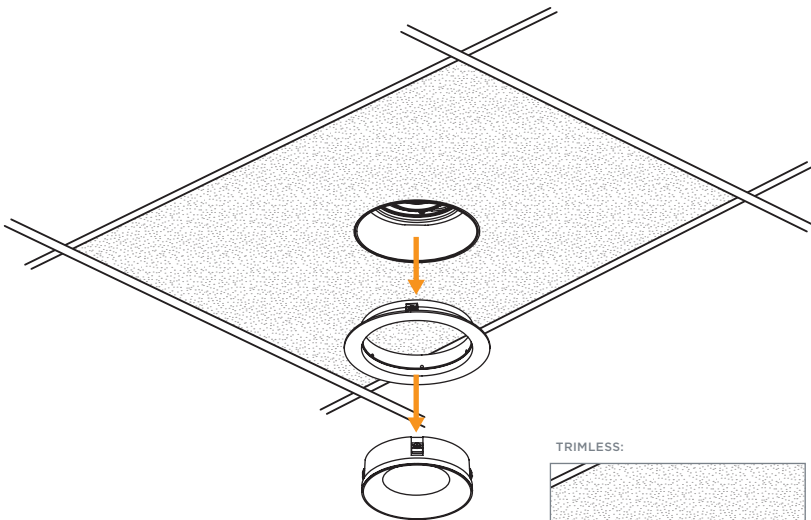


Step 6-2:
Twist and lock the lens.

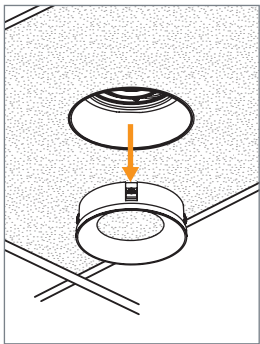


STEP 1 - RELEASE THE REFLECTOR AND FLANGE

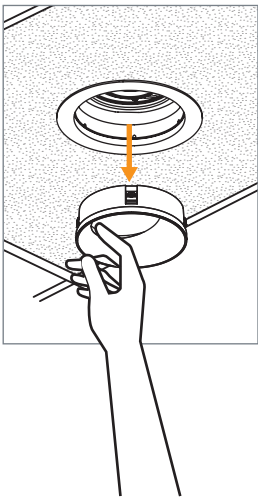
WARNING: TURN OFF THE POWER FIRST.



TRIMLESS:

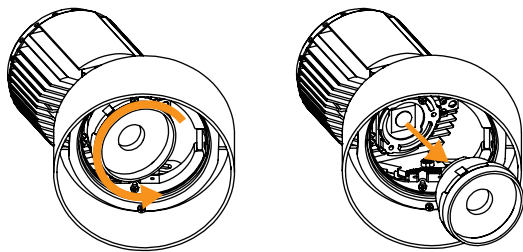


WALLWASH:



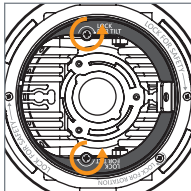
STEP 2 - RELEASE THE LENS

Twist and release the lens.

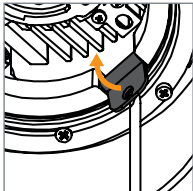
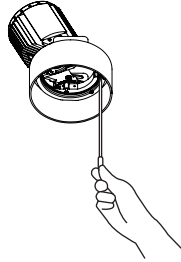


STEP 3 - TILT THE MODULE

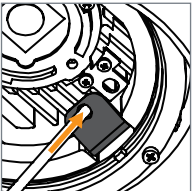
Step 3-1 :
Release this two Screws
of Lock for Tilt.



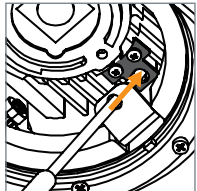
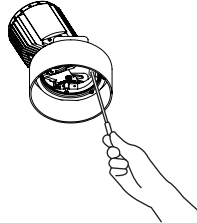
Step 3-2 :
Insert screwdriver through
the first clip



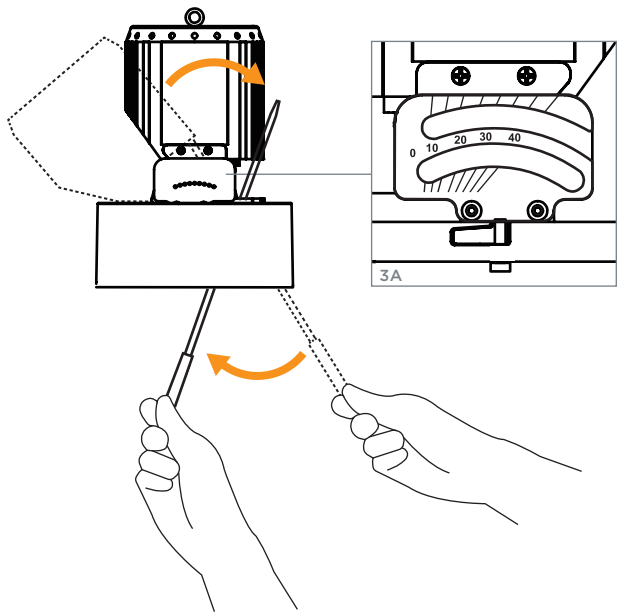
Step 3-3 :
Push the screwdriver to the
heat sink



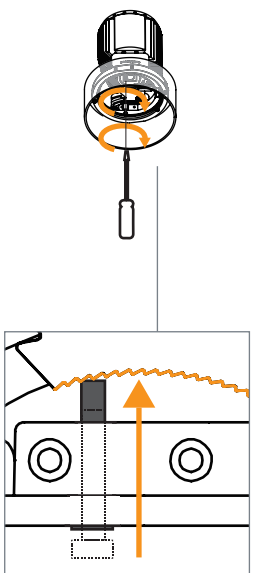
Step 3-4:
Insert screwdriver through the
second clip



Step 3-5 :
Use the Screwdriver and
adjust tilt angle to 0 ,
Scales on the two side of module. (2A)

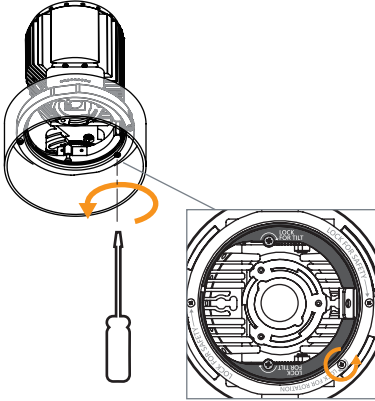


Step 3-6 :
Tight two Screws of Lock
for Tilt.

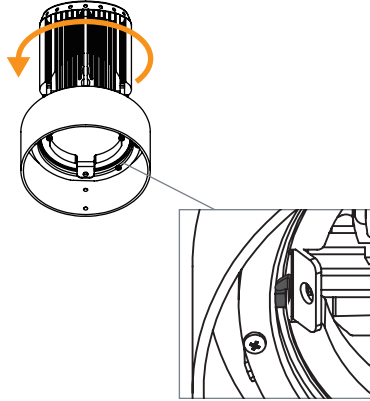


STEP 4 - ROTATE THE MODULE

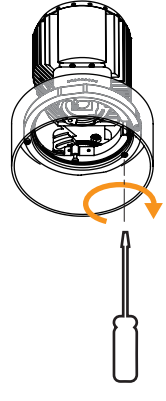
Step 4-1 :
Release the Screw
of Lock for Rotation.



Step 4-2 :
Rotate the module
Anticlockwise to the stop position.

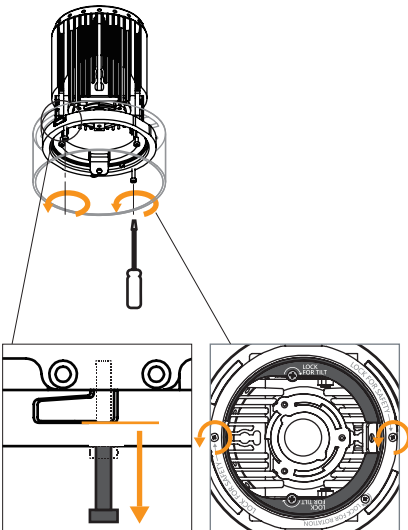


Step 4-3 :
Tighten the Screw
of Lock for Rotation.

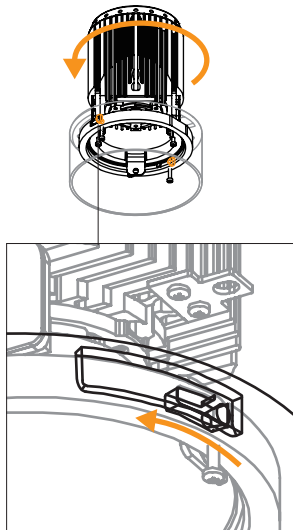


STEP 5 - REMOVE THE MODULE

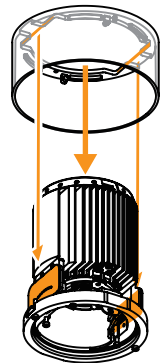
Step 5-1 :
Release the Screws
of Lock for safety
to this level.



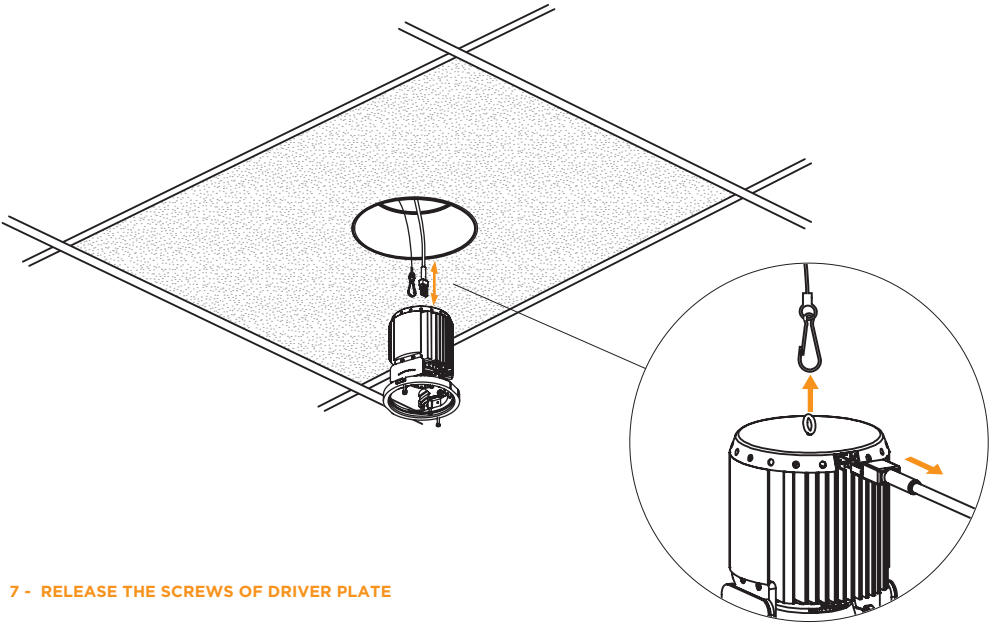
Step 5-2 :
Twist and unlock the
module anticlockwise.



Step 5-3 :
Remove the module.



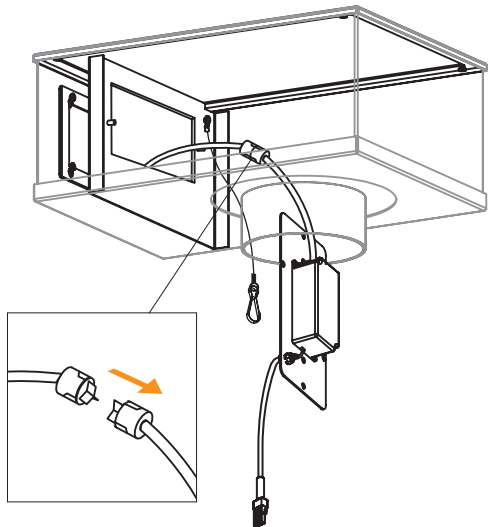
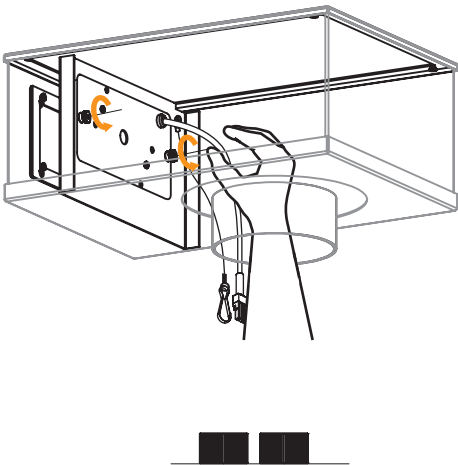
STEP 6 - RELEASE THE ELECTRICAL CONNECTION AND SAFETY HOOK



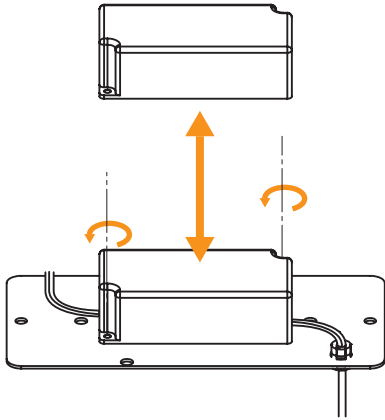
STEP 7 - RELEASE THE SCREWS OF DRIVER PLATE

Step 7-1 :
Release the Screws
of driver plate,
and take out this two screws.

Step 7-2 :
Pull out the driver plate.



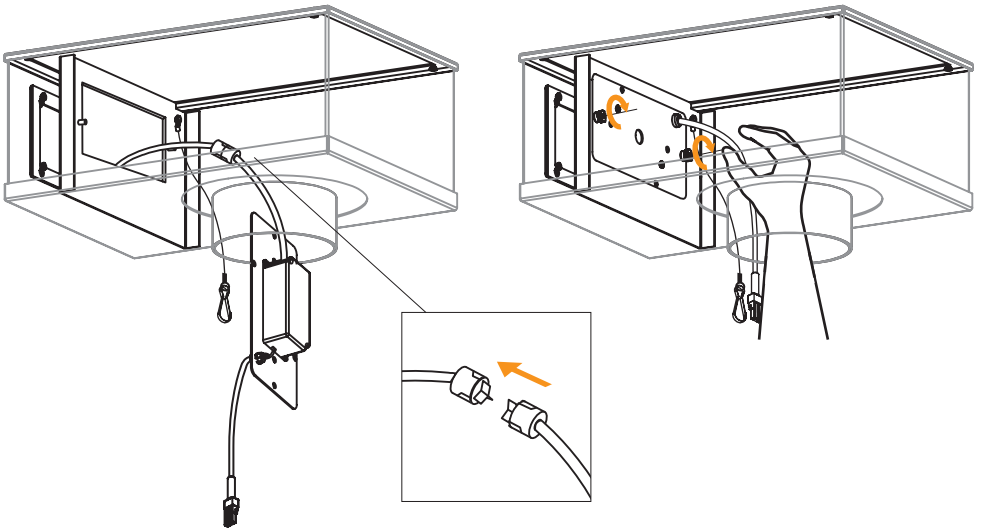
STEP 8 - DRIVER REPLACEMENT



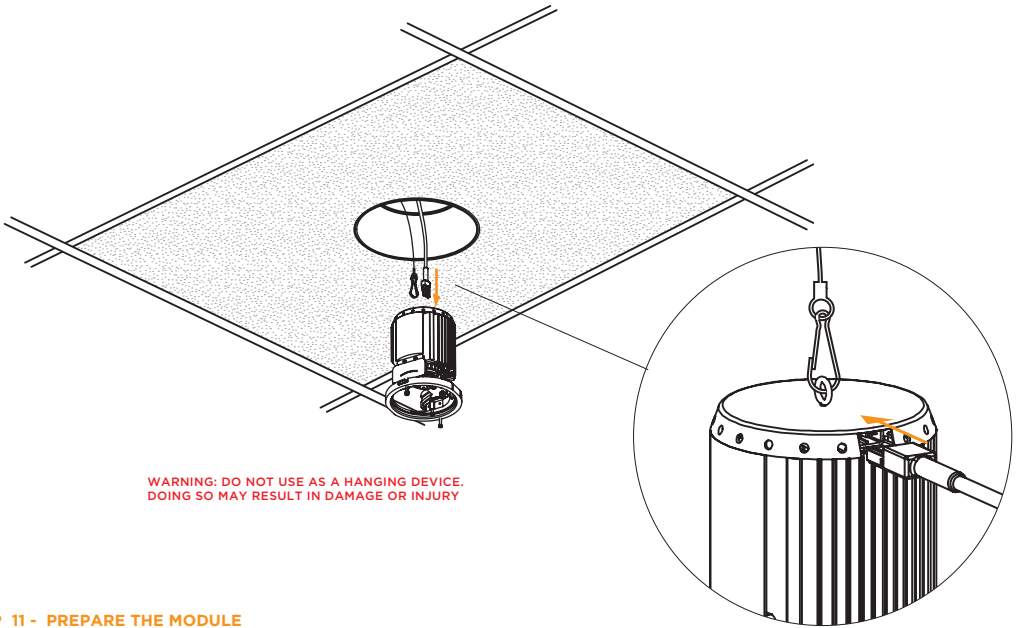
STEP 9 - PUT THE DRIVER PLATE BACK

Step 9-1 :
insert the driver plate.

Step 9-2 :
Tighten the Screws
of driver plate.



STEP 10 - MAKE ELECTRICAL CONNECTION AND INSTALL SAFETY HOOK



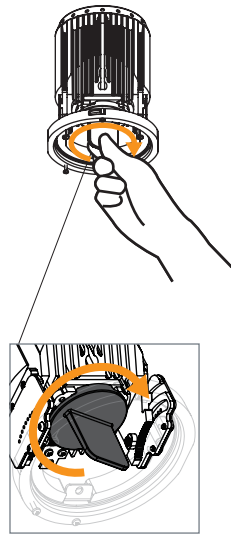
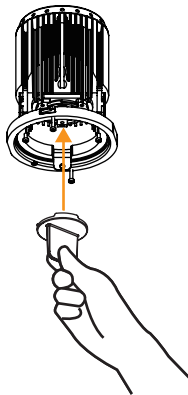
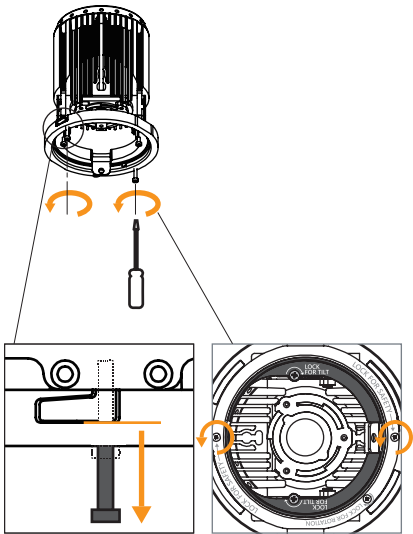
WARNING: DO NOT USE AS A HANGING DEVICE. DOING SO MAY RESULT IN DAMAGE OR INJURY

STEP 11 - PREPARE THE MODULE

Step 11-1 :
Release the Screws
of Lock for safety
to this level.

Step 11-2 :
Locate the tool into
the module.

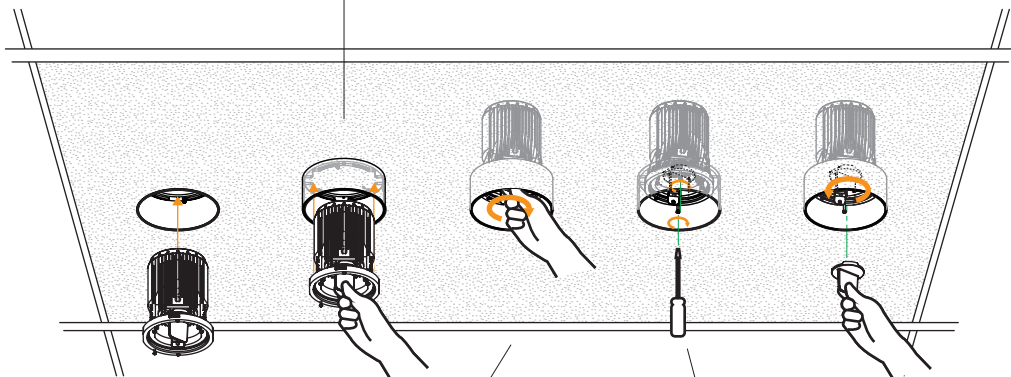
Step 11-3 :
Twist and lock the tool.



STEP 12 - INSTALL THE MODULE



12A



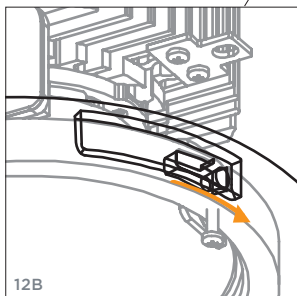
Step 12-1 :
Insert the module to
the collar

Step 12-2 :
Align the module
with the collar. (3A)

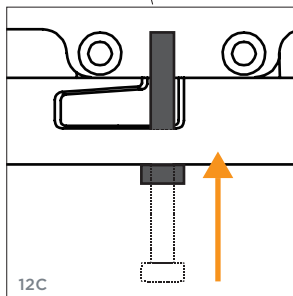
Step 12-3 :
Twist and lock the
module clockwise.
(12B)

Step 12-4 :
Tighten the screws
to secure the
module. (12C)

Step 12-5 :
Twist and release
the tool anticlockwise.
(↺)



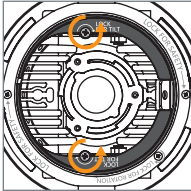
12B



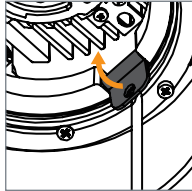
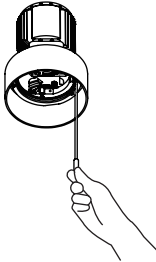
12C

STEP 13 - TILT ANGLE ADJUSTMENT 0° - 40°

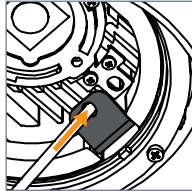
Step 13-1 :
Release this two Screws
of Lock for Tilt.



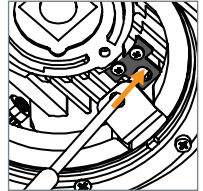
Step 13-2 :
Insert screwdriver through
the first clip



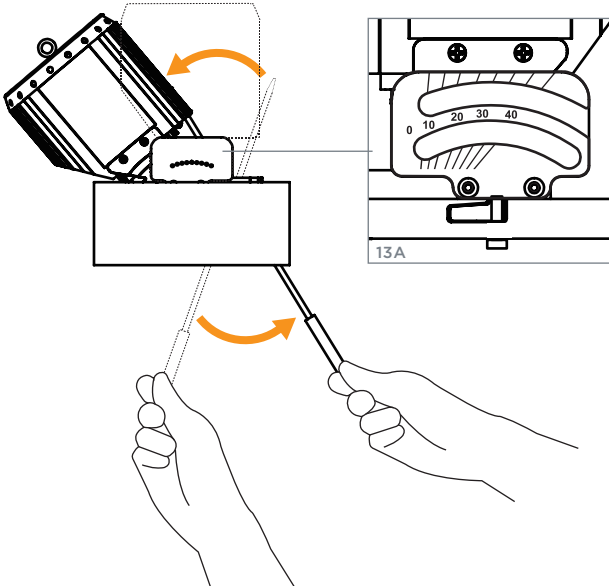
Step 13-3 :
Push the screwdriver to the
heat sink



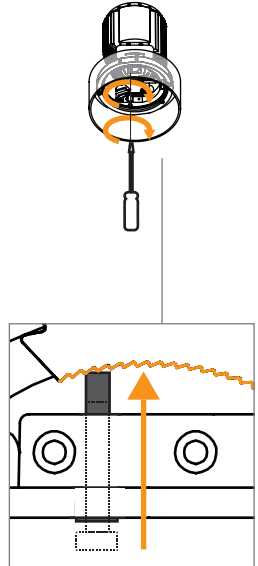
Step 13-4:
Insert screwdriver through the
second clip



Step 13-5 :
Use the Screwdriver and
adjust tilt angle, Scales on
the two side of module. (13A)

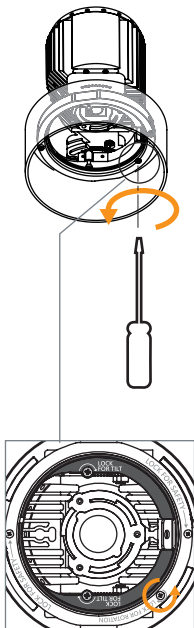


Step 13-6 :
Tight two Screws of Lock
for Tilt.

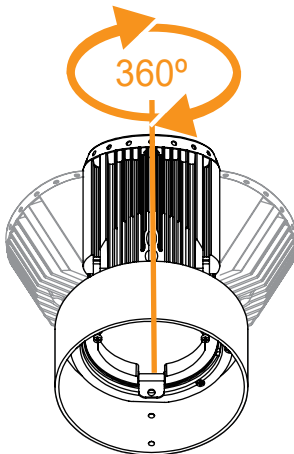


STEP 14 - ROTATION ADJUSTMENT 360°

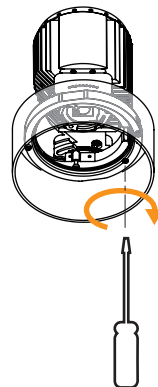
Step 14-1 :
Release the Screw
of Lock for Rotation.



Step 14-2 :
Adjust rotate.

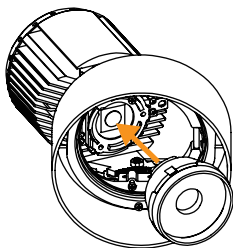


Step 14-3 :
Tighten the Screw
of Lock for Rotation.

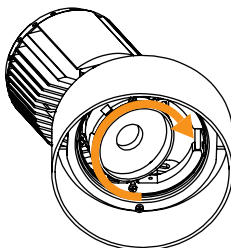


STEP 15 - INSTALL THE LENS

Step 15-1 :
Locate the lens into the
module.



Step 15-2 :
Twist and lock the lens.



STEP 16 - INSTALL THE REFLECTOR AND FLANGE

