

3" Cylinder

25W LED Pendant (Round or Square)

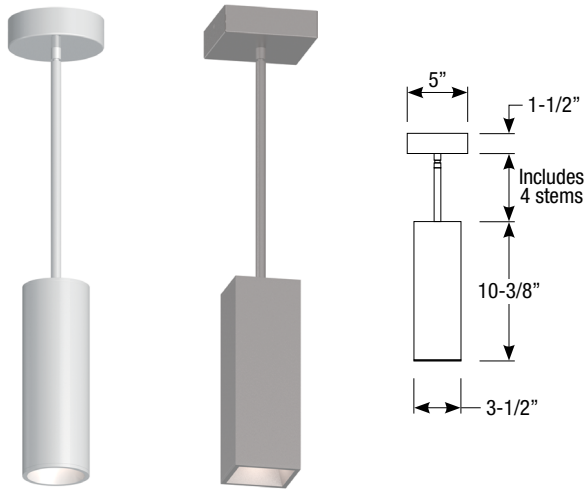
Catalog #:

Type:

Project:

Date:

Notes:



STANDARD FINISHES

	ABL (Aegean Blue)		PNC (Painted Natural Copper)
	BB (Burnished Bronze)		RD (Red)
	BK (Gloss Black)		SGR (Sage Green)
	BLU (Blue)		SND (Sand)
	DVG (Dove Gray)		SS (Satin Silver)
	FLG (Flannel Gray)		TBZ (Textured Bronze)
	GA (Galvanized)		TGP (Textured Graphite)
	GWT (Gloss White)		TNG (Tangerine)
	LG (Lime Green)		TTL (Tahitian Teal)
	MB (Matte Black)		WT (Semi Gloss White)
	MBL (Midnight Blue)		YEL (Yellow)
	PNA (Painted Natural Aluminum)		

Electrical Data (In one direction)

CCT	CRI	Wattage	Delivered Lumens	Efficacy
2700K	90 CRI	25W	1716lm	69lpw
3000K	90 CRI	25W	1838lm	74lpw
3500K	90 CRI	25W	1975lm	79lpw
4000K	90 CRI	25W	2107lm	84lpw

Multiplier for Delivered Lumens

Wattage	10	15	20	25
Multiplier	0.45	0.69	0.83	1

Specifications

Field Replaceable LED Light Engine

- LED with 2 SDCM binning
- 2700K, 3000K, 3500K and 4000K at 90 CRI
- 10°, 30°, 50° and 80° optics

- 5" x 1-1/2" canopy included with standard universal dim driver (7-1/8" x 2-1/4" round canopy or 6-1/4" x 2-1/4" square canopy included with Lutron and eldoLED drivers)

Field Replaceable Dimming Driver

- Multiple dimming drivers available
- Power factor > 0.9, 50/60Hz

Finishes

Available in 22 standard finishes with optional coastal coating to protect finish in coastal environments.

Mounting

- 4' of stem included; (1) 6", (2) 12" & (1) 18" (includes couplers)
- Contact the factory for custom sloped ceiling projects
- 10' field adjustable cord available, must specify

Listing / Warranty

- Five (5) year limited warranty
- UL listed to US and Canadian standards for damp locations



JA8 TITLE 24 COMPLIANT

Order Matrix

3" Cylinder (Example: LP3-25-35-10-BK-5-S-BC)

Series	Wattage	CCT / CRI	Optic	Finish	Coastal Coating	Rev	Driver	Hanging Option	Canopy
LP3 (Round)	-10	-27 (2700K/90CRI)	-10	-ABL (Aegean Blue)	(blank) (No coating)	-5	-S ² (ERP, Universal Dim, Triac/ELV/0-10V 1% 120-277V)	-ST Stem	(blank) (standard canopy)
	-15	-30 (3000K/90CRI)	-30	-BB (Burnished Bronze)	-C (Coating)				-CC1 ³ (Conduit 3-1/4" canopy)
SLP3 (Square)	-20	-35 (3500K/90CRI)	-50	-BK (Gloss Black)		-5	-L3 ¹ (Lutron Hi-lume® Fade-to-Black 1% 120-277V)	-WC 10' White Cord	-CC2 ³ (Conduit 3-7/8" canopy)
	-25	-40 (4000K/90CRI)	-80	-BLU (Blue)					
				-DVG (Dove Gray)			-EL1 ¹ (eldoLED DALI 1% 120-277V)	-LV 10' Low Voltage Aircraft Cable	
				-FLG (Flannel Gray)			-EL2 ¹ (eldoLED 0-10V 1% 120-277V)	-BCC 10' Black Cord with internal strain relief	
				-GA (Galvanized)			-DMX ¹ (DMX 1% 120-277V)	-WCC 10' White Cord with internal strain relief	
				-GWT (Gloss White)					
				-LG (Lime Green)					
				-MBL (Midnight Blue)					
				-MB (Matte Black)					
				-PNA (Painted Natural Aluminum)					
				-PNC (Painted Natural Copper)					
				-RD (Red)					
				-SGR (Sage Green)					
				-SND (Sand)					
				-SS (Satin Silver)					
				-TBZ (Textured Bronze)					
				-TGP (Textured Graphite)					
				-TNG (Tangerine)					
				-TTL (Tahitian Teal)					
				-WT (Semi Gloss White)					
				-YEL (Yellow)					

Emergency

EM-1000	(25W Remote Inverter)
EM-1002	(10W Remote Inverter)
EM-1003	(35W Remote Inverter)
EM-1003-CA	(35W Remote Inverter) Title 20
EM-1004	(50W Remote Inverter)
EM-1006	(25W Remote Inverter) Title 20

Optic

EDL-10-OPTIC-5	(10° Spot)
EDL-30-OPTIC-4	(30° Spot)
EDL-50-OPTIC-4	(50° Spot)
EDL-80-OPTIC-4	(80° Spot)

1. Includes larger canopy
2. Forward and reverse dimming at 120V only

3. CC1 and CC2 only for S driver option

Spec-00227 Revised 10/14/2022

