

INSTALLATION GUIDE

GYRO SHIFT | FLUSH & CONDUIT FLUSH

READ AND FOLLOW ALL SAFETY INSTRUCTIONS! SAVE THESE INSTRUCTIONS AND DELIVER TO OWNER AFTER INSTALLATION.

⚠ WARNING: RISK OF ELECTRIC SHOCK

- Before installation, servicing, or performing routine maintenance **DISCONNECT POWER BY TURNING OFF THE CIRCUIT** breakers both to the outlet box and to its associated wall switch.
- Installation and service of luminaires should be performed by a qualified licensed electrician in accordance with all local and National Electrical Codes.
- **DO NOT** install damaged product
- Verify that supply voltage is correct by comparing it with the luminaire label information.
- All wiring connections should be capped with UL approved recognized wire connectors

⚠ WARNING: RISK OF INJURY

- Allow luminaire to cool before servicing and performing maintenance.
- Follow all manufacturer’s warning and restrictions for driver type, mounting locations, replacement and recycling.
- Wear safety glasses and gloves when installing, maintaining or servicing.
- Avoid direct eye exposure to the light source while it is on.

⚠ WARNING: RISK OF PRODUCT DAMAGE

- Never connect components under load
- Do not touch the yellow surface of the LED as it may damage the light engine

⚠ WARNING

- **DO NOT** separate any other wires that may be in the box.
- **DO NOT** damage the insulation of older wiring.
- In regular circumstances the **BLACK** wire will be the “Hot” lead and the **WHITE** wire will be the “Neutral” or “Common” lead. A **GREEN** or **BARE COPPER** wire is “Ground”. In older buildings, it is always good practice to reconfirm the polarity of the wiring.

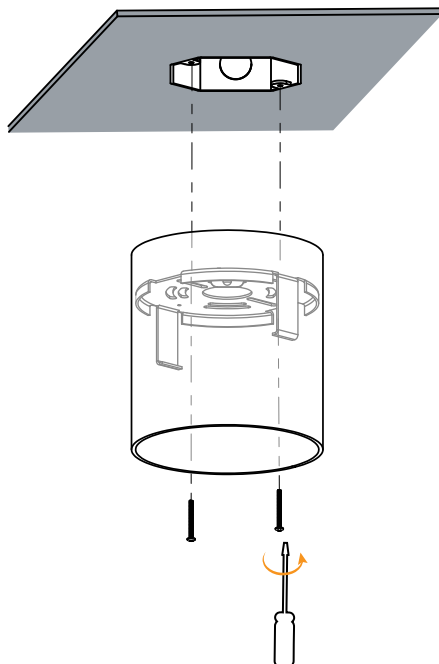
NOTICE

- This fixture is designed to be mounted on a correctly installed standard round or octagon box. The box must be securely mounted to the structure of the building. The cover plate and hardware supplied should be used. Directly mounting the fixture to the outlet box may make it impossible to correctly align the fixture.

STEP 1 - FIXTURE INSTALLATION

ATTACH HOUSING TO JUNCTION-BOX WITH SCREWS (8-32 x 1.5”) BRACKET (WELDED ON FIXTURE) IS DESIGNED TO BE MOUNTED OVER A CORRECTLY INSTALLED STANDARD ROUND OR OCTAGON BOX WITH A PLASTER FRAME. THIS BOX MUST BE SECURELY MOUNTED TO THE STRUCTURE OF THE BUILDING.

FLUSH CONFIGURATION



CONDUIT FLUSH CONFIGURATION

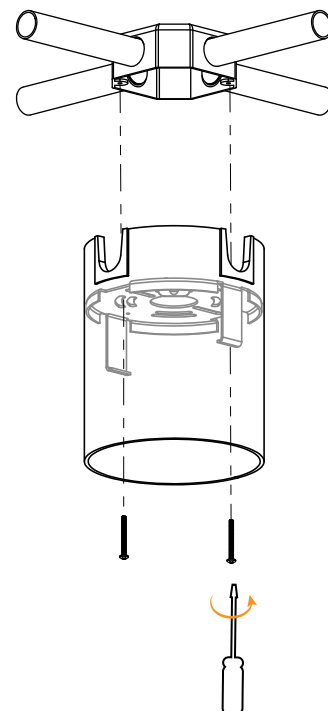


FIG-00002 Revised 09/26/19

INSTALLATION GUIDE

GYRO SHIFT | FLUSH & CONDUIT FLUSH

STEP 2 - MAKE ELECTRICAL CONNECTION

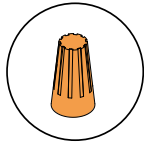
CONNECT WIRES WITH THE SAME COLOR USING APPROVED FASTENERS OR ELECTRICAL TAPE

WARNING
MAKE SURE THAT THERE IS NO EXPOSED STRANDS OF WIRE THAT COULD CAUSE A DANGEROUS SHORT CIRCUIT!

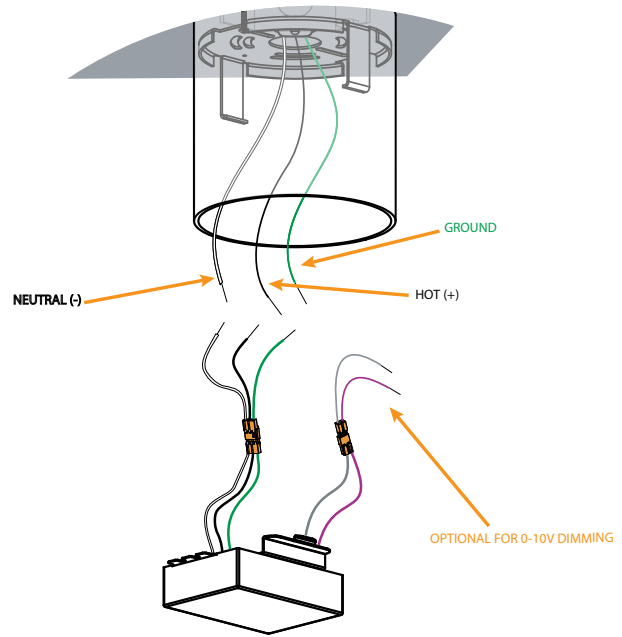
WARNING
NEVER FASTEN THE GROUND WIRE TO THE BLACK OR "HOT" WIRE!
FAILURE TO FOLLOW THIS INSTRUCTION COULD RESULT IN SERIOUS INJURY OR DEATH!



ELECTRICAL TAPE



APPROVED FASTENER WIRING NUT



STEP 3 - DRIVER INSTALL

ATTACH DRIVER TO HOUSING WITH SCREW. MAKE SURE THE LIFT ON BRACKET IS INSERTED THROUGH HOUSING SLOT BEFORE TIGHTEN SCREW.

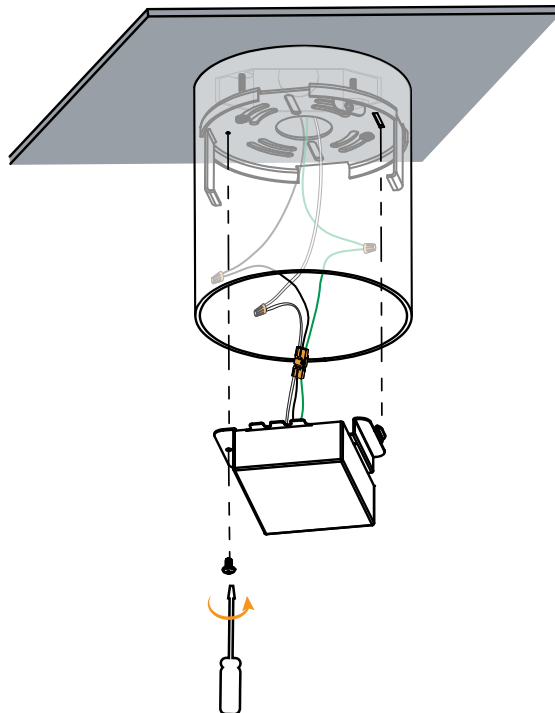


FIG-00002 Revised 09/26/19

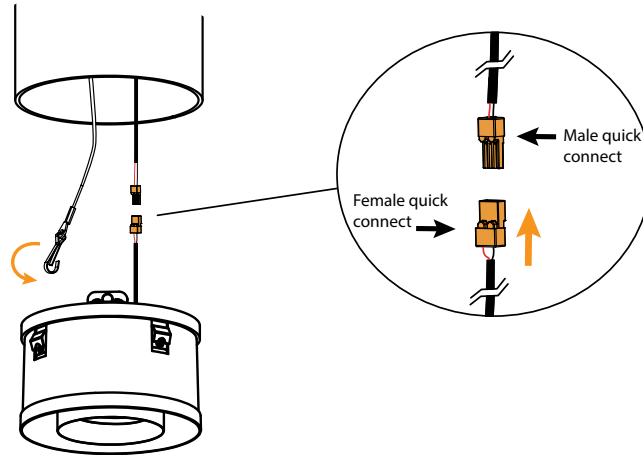
INSTALLATION GUIDE

GYRO SHIFT | FLUSH & CONDUIT FLUSH

STEP 4 - QUICK CONNECT / SAFETY CHAIN

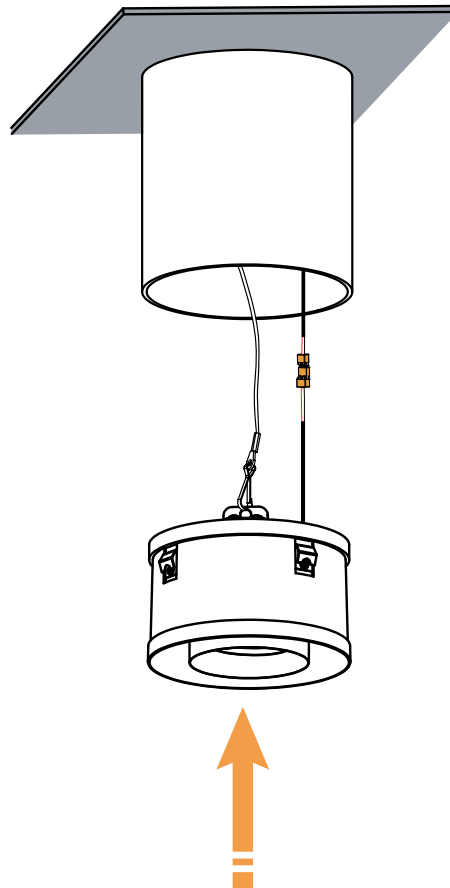
ATTACH HOUSING TO DRIVER WITH QUICK CONNECTS.

FOR SAFETY PURPOSES, MAKE SURE SAFETY CHAIN IS CORRECTLY SNAPPED TO HOUSING BRACKET



STEP 5 - INSTALL HOUSING

PUSH HOUSING INTO FIXTURE

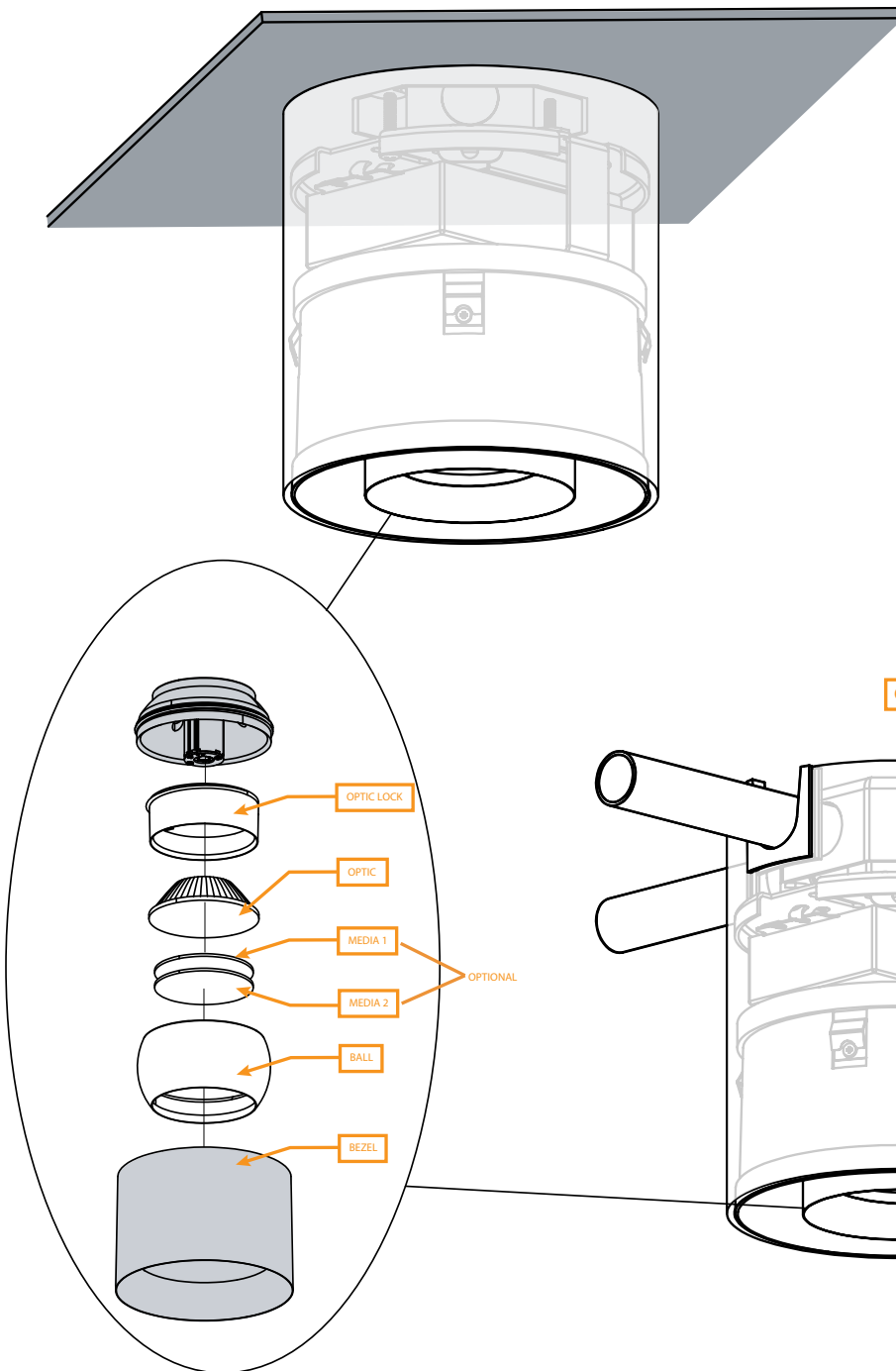


INSTALLATION GUIDE

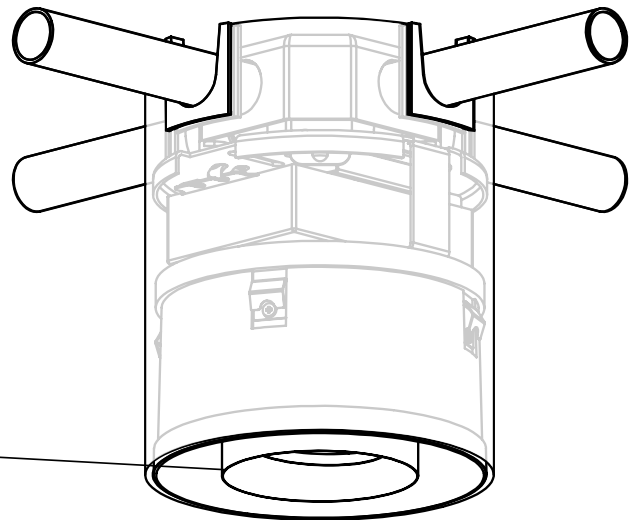
GYRO SHIFT | FLUSH & CONDUIT FLUSH

CONFIGURATION

FLUSH CONFIGURATION



CONDUIT FLUSH CONFIGURATION

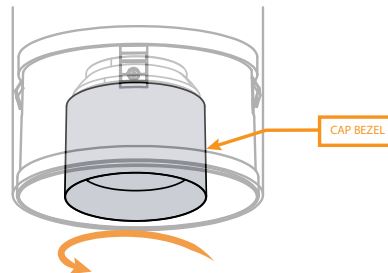


INSTALLATION GUIDE

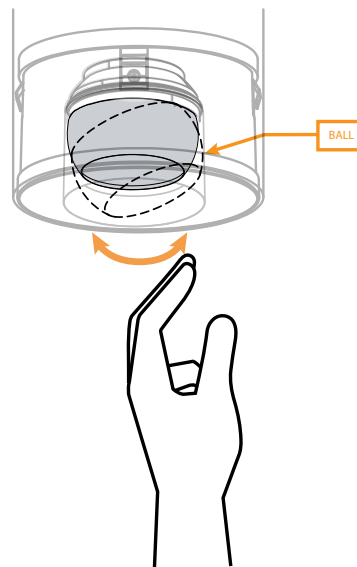
GYRO SHIFT | FLUSH & CONDUIT FLUSH

LIGHT BEAM ADJUSTMENT

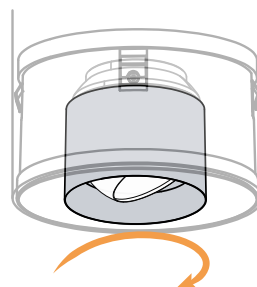
1. UN-THREAD CAP BEZEL COUNTER-CLOCK-WISE FOR 2 TURNS



2. ADJUST THE LIGHT BEAM TO DESIRE ANGLE WITH FINGERS AND PUSHING ON THE BEZEL OF THE OPTIC BALL (BALL CAN ROTATE 360° VERTICAL AND 45° HORIZONTAL)



3. RE-LOCK OPTIC BALL BY TURNING THE CAP BEZEL IN CLOCK-WISE BY HANDS UNTIL TIGHT.



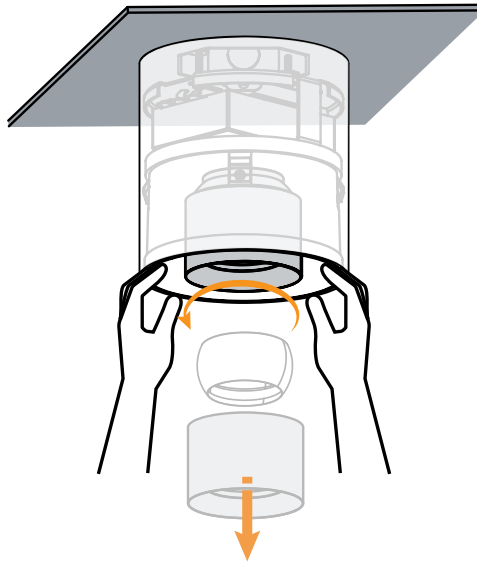
INSTALLATION GUIDE

GYRO SHIFT | FLUSH & CONDUIT FLUSH

UN-INSTALLATION

TO UN-INSTALL, TWIST THE BEZEL COUNTER CLOCKWISE UNTIL IT COMES OFF. SLOWLY REMOVE THE BEZEL AND THE OPTIC BALL.

 **WARNING**
MAKE SURE TO DISCONNECT ALL POWER BY TURNING OFF ELECTRICAL CIRCUIT BEFORE PERFORMING ANY SERVICE.



CAREFULLY PULL DOWN THE HOUSING TO MAKE ANY NECESSARY SERVICE.

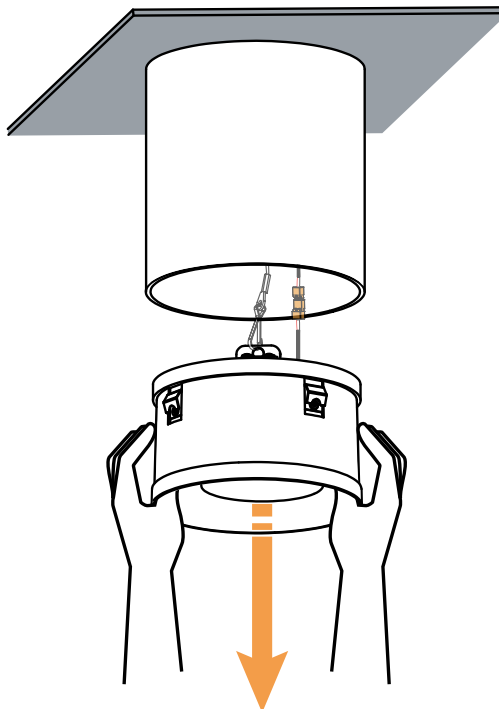


FIG-00002 Revised 09/26/19