

READ AND FOLLOW ALL SAFETY INSTRUCTIONS! SAVE THESE INSTRUCTIONS AND DELIVER TO OWNER AFTER INSTALLATION.

⚠ WARNING: RISK OF ELECTRIC SHOCK

- Before installation or servicing DISCONNECT POWER BY TURNING OFF THE CIRCUIT BREAKERS both to the outlet box and to its associated wall switch.
- Installation and service of luminaires should be performed by a qualified licensed electrician in accordance with all local and National Electrical Codes.
- Do not install damaged product
- Verify that supply voltage is correct by comparing it with the luminaire label information.
- All wiring connections should be capped with UL approved recognized wire connectors.

⚠ WARNING: RISK OF INJURY

- Allow luminaire to cool before servicing.
- Follow all manufacturer's warning and restrictions for driver type, mounting locations, replacement and recycling.
- Wear safety glasses and gloves when installing, maintaining or servicing.
- Avoid direct eye exposure to the light source while it is on.

⚠ WARNING: RISK OF FIRE

- Do not separate any other wires that may be in the box.
- Do not damage the insulation of older wiring.
- In regular circumstances the BLACK wire will be the "Hot" lead and the WHITE wire will be the "Neutral" or "Common" lead. A GREEN or BARE COPPER wire is "Ground". In older buildings, it is always good practice to reconfirm the polarity of the wiring.

⚠ RISK OF PRODUCT DAMAGE

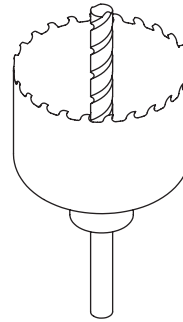
- Never connect components under load.
- Do not touch the yellow surface of the LED as it may damage the light engine.

◆ TOOLS REQUIRED

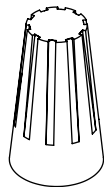
#1 Phillips Screw Driver



#2 Phillips Screw Driver



Hole Saw (or Speed Router)

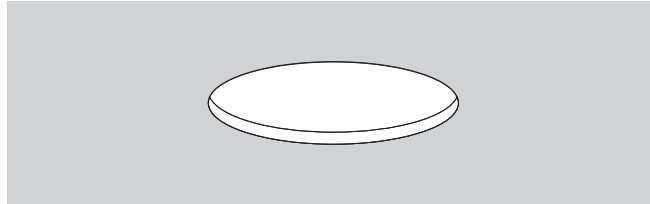
◆ ACCESSORIES REQUIRED

Electrical Wire Nut

PREPARATION

◆ MEASURE BEFORE YOU CUT

Consult the ceiling cutout table below to determine your application ceiling cutout requirements.



Model	Ceiling Cutout Size
Flush Mount	Ø 4" (Ø 101.6 mm)

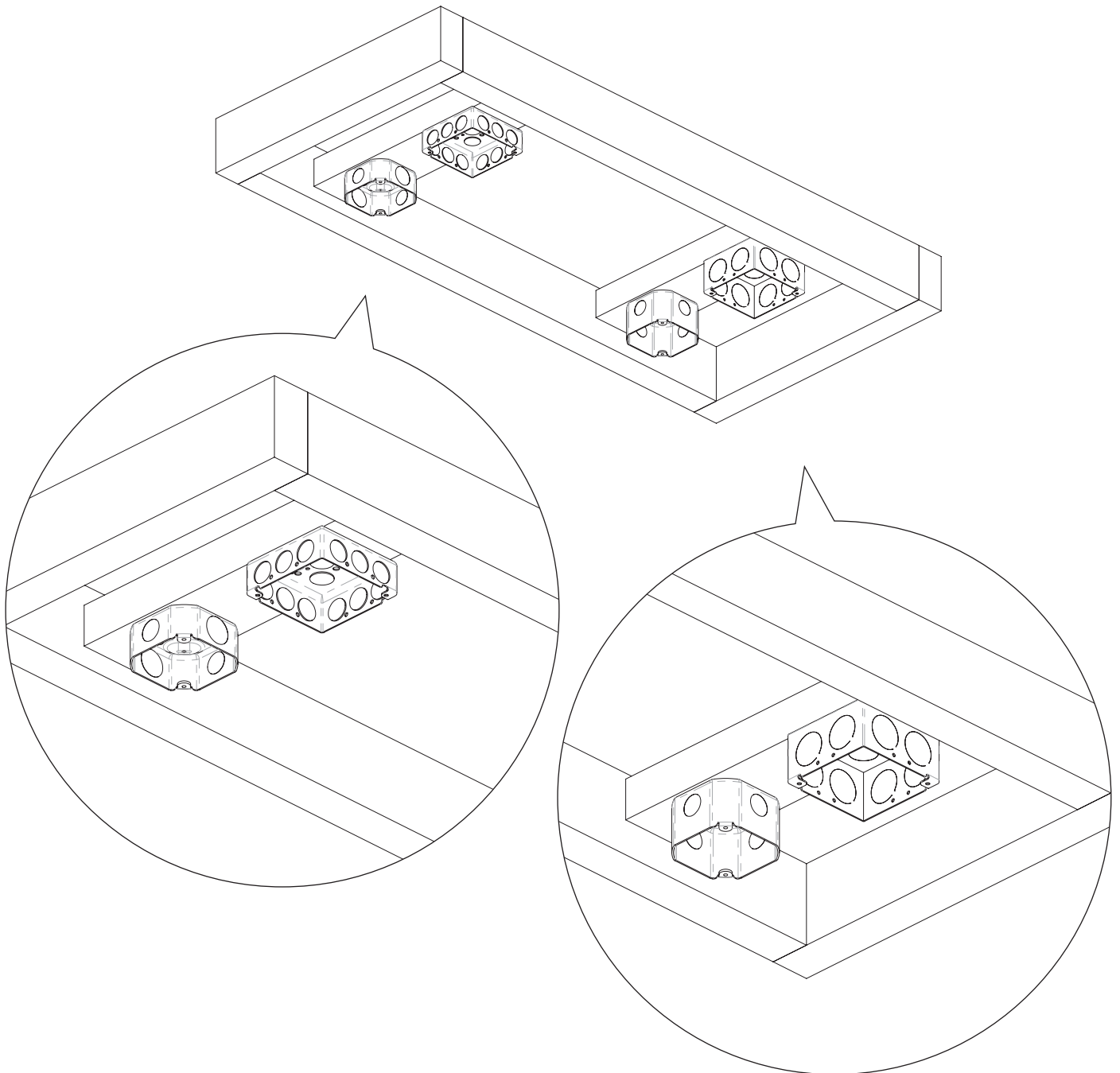
◆ JUNCTION BOX COMPATIBILITY

Consult the junction box chart for your application's junction box compatibility.

CYLINDER/CANOPY TYPE	 SQUARE JUNCTION BOX 4" x 4" x 1-1/2"	 SQUARE JUNCTION BOX 4" x 4" x 2-1/8"	 OCTAGON JUNCTION BOX Ø4" x 1-1/2"	 OCTAGON JUNCTION BOX Ø4" x 2-1/8"
STANDARD			✓	✓
ENTITY			✓	✓
ALTERNATIVE DRIVER	✓	✓	✓	✓

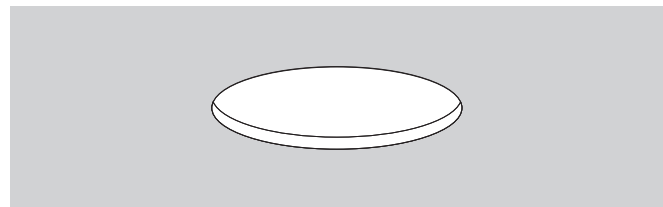
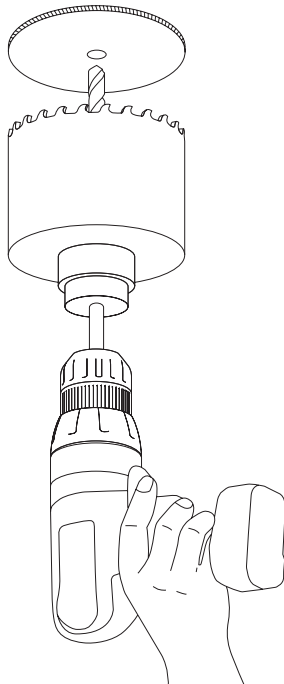
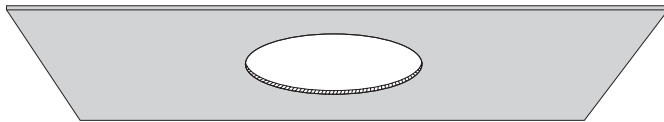
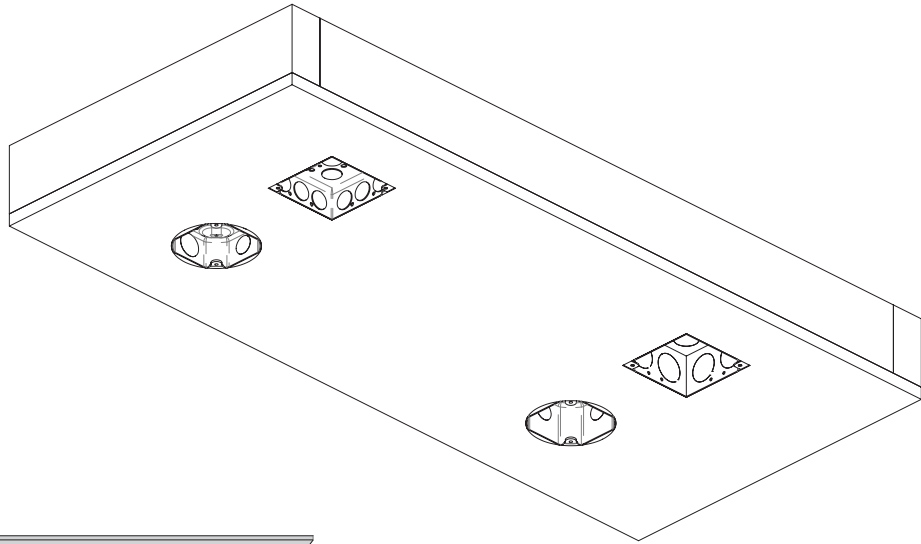
INSTALLATION

◆ STEP 1 | Mount Junction Box To Joist



INSTALLATION

◆ STEP 2 | Cut Hole and Install Ceiling



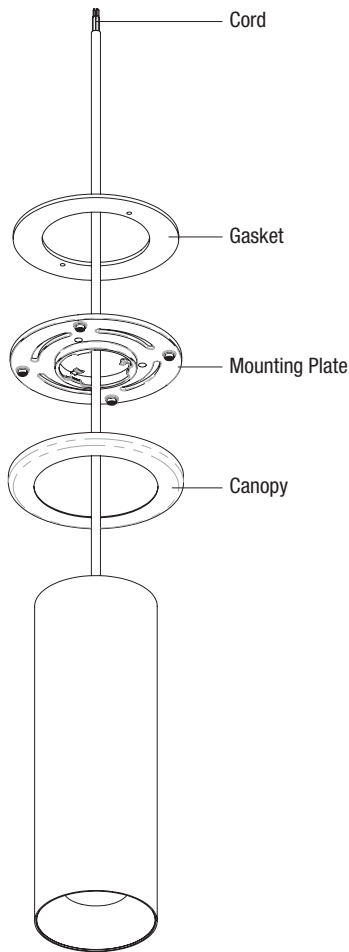
Model	Ceiling Cutout Size
Flush Mount	Ø 4" (Ø 101.6 mm)

INSTALLATION

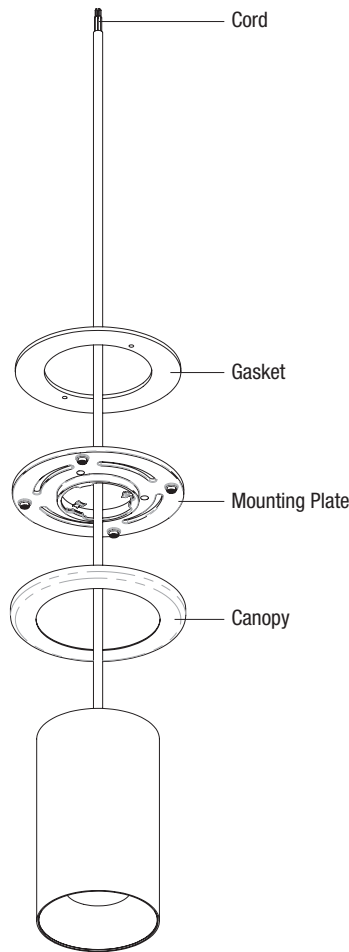
◆ STEP 3 | Assembly

Standard, Entity & Alternative Driver

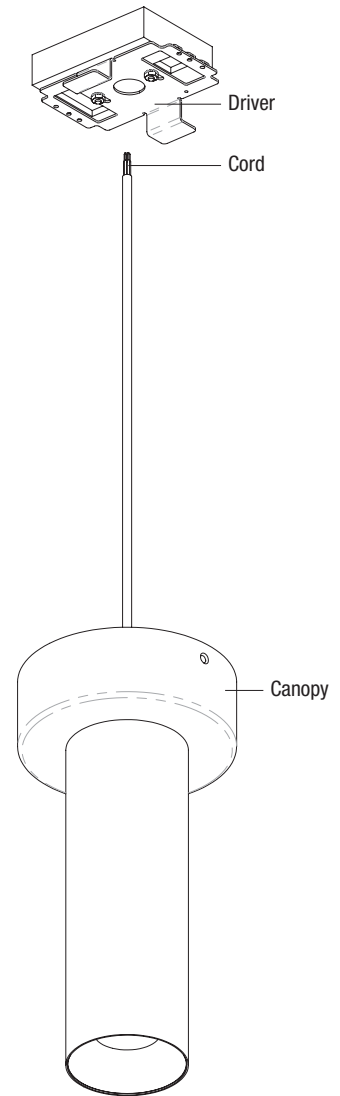
- Insert cord through mounting plate in order below.



Standard



Entity



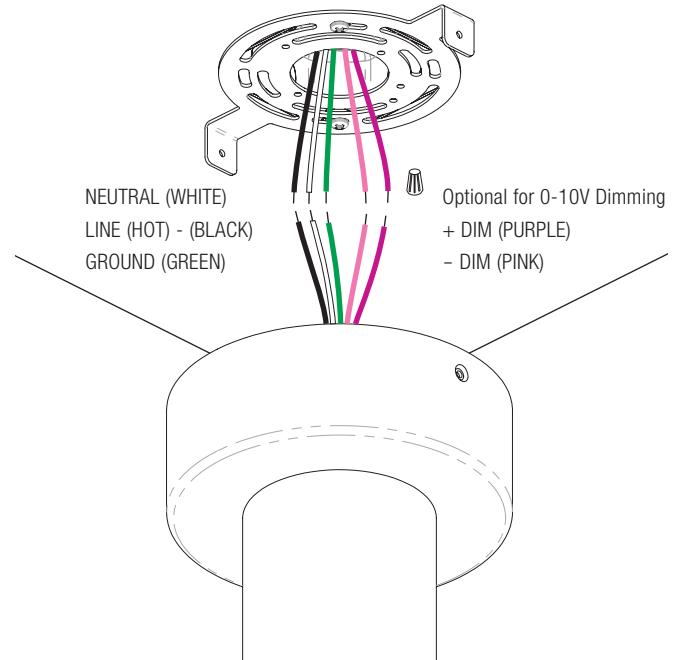
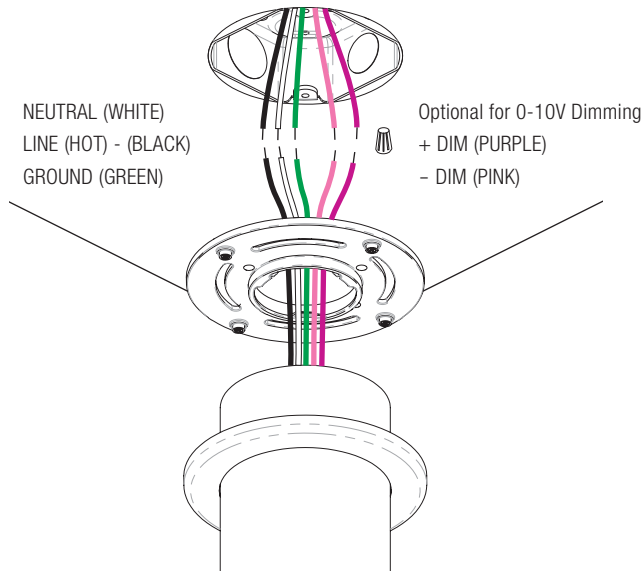
Alternative Driver

INSTALLATION

◆ STEP 4 | Make Electrical Connection

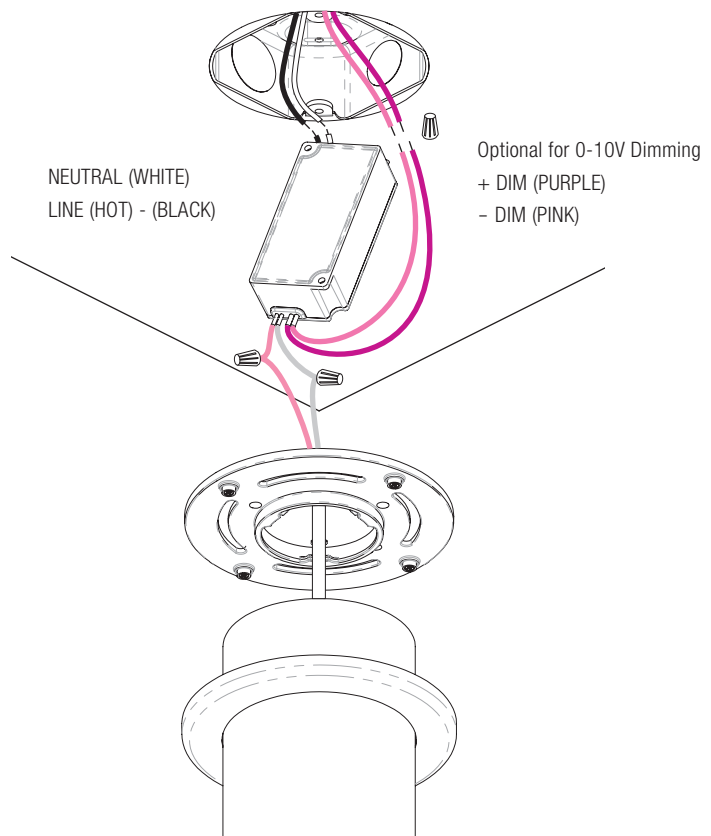
Standard & Alternative Driver

- Connect supply wires using approved wire nuts to the cylinder using the wiring diagram shown.



ENTITY

- Connect LED wires using approved wire nuts to driver.
- Connect supply wires using approved wire nuts to the cylinder using the wiring diagram shown.
- Place driver inside junction box.



⚠ WARNING
Make sure that there are no exposed strands of wire that could cause a dangerous short circuit!

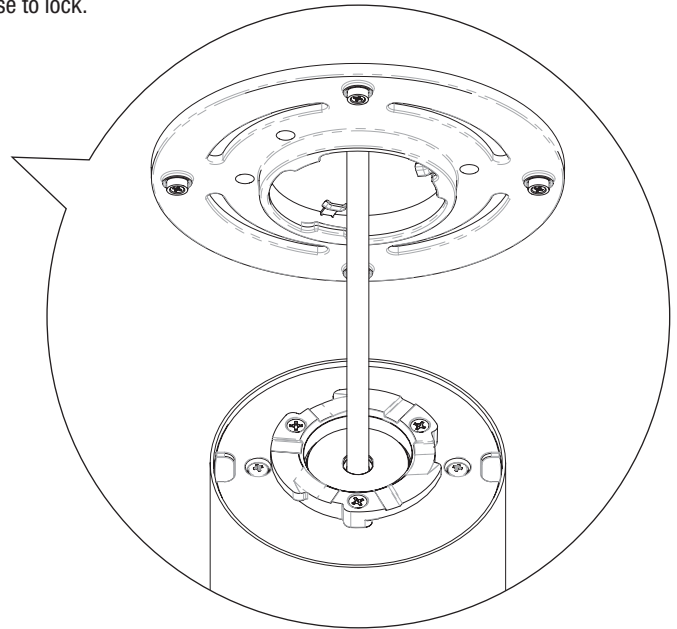
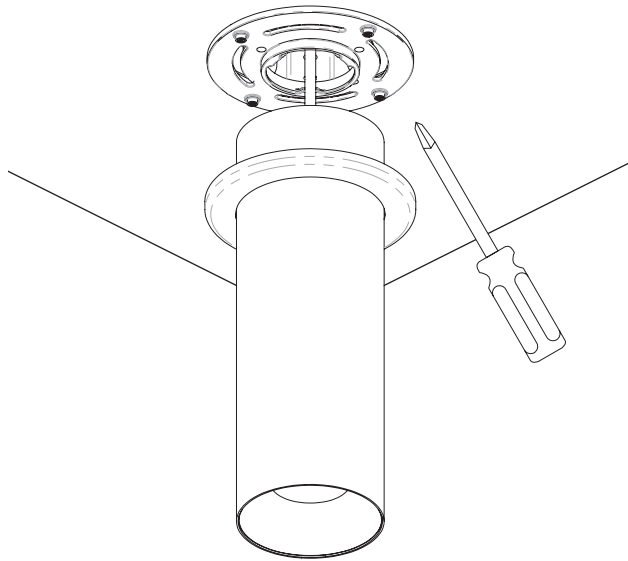
⚠ WARNING
Never fasten the ground wire (Green) to the hot (Black) wire! Failure to follow this instruction could result in serious injury or death!

INSTALLATION

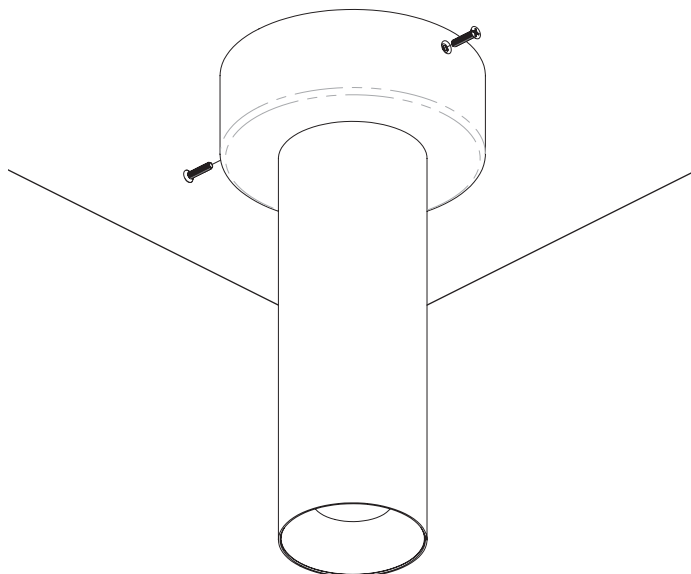
◆ STEP 5 | Attach Mounting Plate and Canopy

Standard & Entity

- Using #2 phillips screwdriver fasten mounting plate to junction box/junction box plate.
- Align cylinder bayonet to notches on mounting plate, push up & clockwise to lock.

**Alternative Driver**

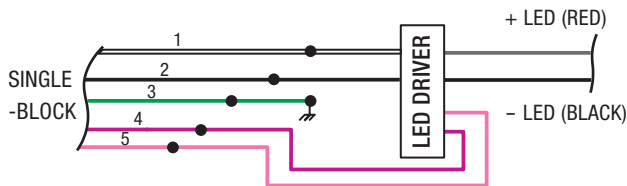
- Using #2 phillips screwdriver, fasten mounting plate to junction box/junction box plate.
- Align cylinder bayonet to notches on mounting plate, push up & clockwise to lock.



INSTALLATION

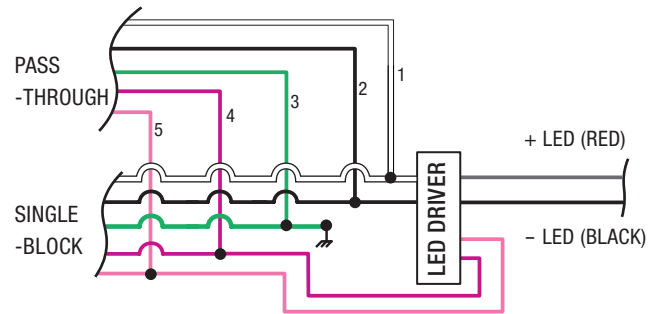
◆ Wiring Diagrams

For Single-Block Connection



- 1/ NEUTRAL (WHITE)
- 2/ LINE (HOT) - (BLACK)
- 3/ GROUND (GREEN)
- 4/ + DIM (PURPLE)
- 5/ - DIM (PINK)

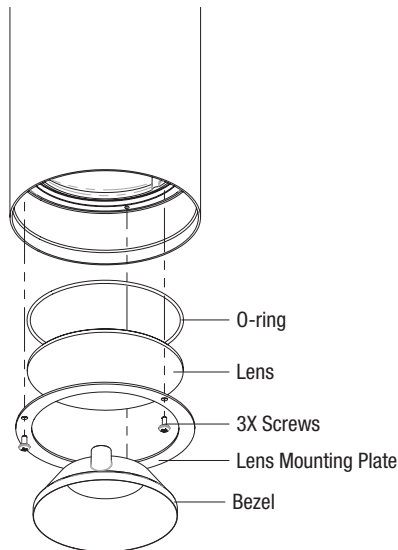
For Pass-Through Connection



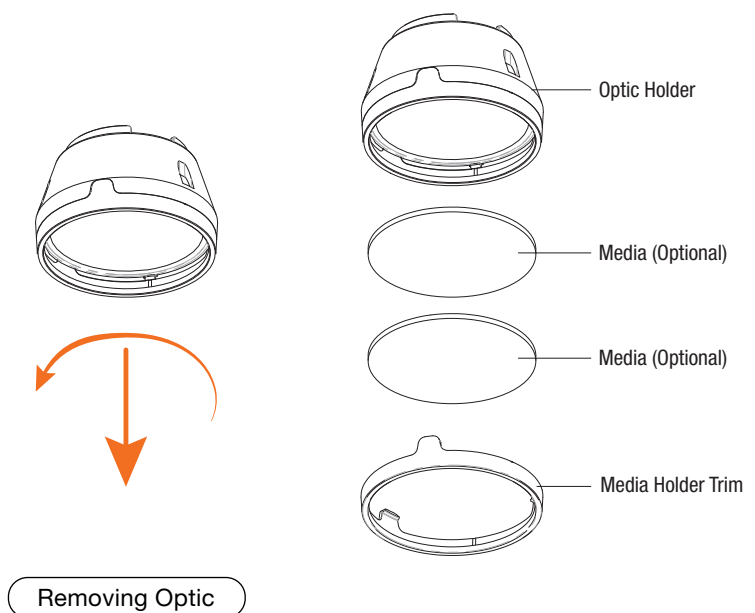
- 1/ NEUTRAL (WHITE)
- 2/ LINE (HOT) - (BLACK)
- 3/ GROUND (GREEN)
- 4/ + DIM (PURPLE)
- 5/ - DIM (PINK)

◆ Removing/Installing Optics Or Media

- Remove Bezel.
- Using #1 phillips screwdriver, remove 3X screws.
- Remove lens mounting plate, lens and o-ring.
- Remove optic by rotating it counter-clockwise (For 2", use optic removal tool).
- If attaching media, remove media holder, place media(s) and reattach media holder to optic.
- If installing optic, with desired optic reverse steps 1-4 ensuring the o-ring is placed within the o-ring groove.



To Change Optic or Media



INSTALLATION

◆ For Wet Location

Before attaching canopy apply RTV liberally inside of the canopy at ingress locations, place canopy to mounting plate, and cleanup any excess RTV.

