

# CSL

## CYLINDERS

### CYLINDER (Adjustable Pendant) 2", 3", 5" LED DOWNLIGHT (Round Twist)

PROJECT: \_\_\_\_\_

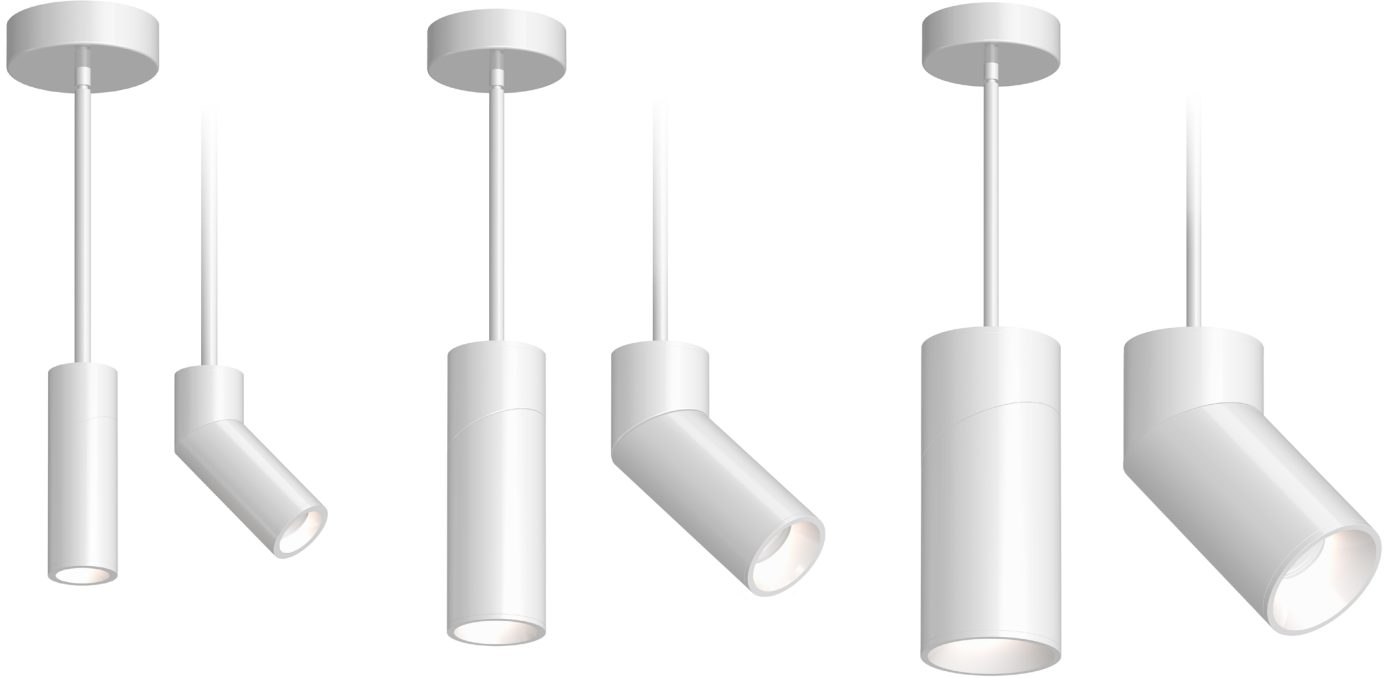
TYPE: \_\_\_\_\_

NOTE: \_\_\_\_\_

SPEC-00226 LP-TWIST 2" 3" 5", V-0.01,

UPDATED 01/03/24

LP2-TWIST, LP3-TWIST, LP5-TWIST



2" Adjustable Pendant Cylinder  
(Round Twist)

3" Adjustable Pendant Cylinder  
(Round Twist)

5" Adjustable Pendant Cylinder  
(Round Twist)

#### ADJUSTABILITY

Cylinder is cut at a 45° angle to allow pendant to bend and twist to 45°

#### LED LIGHT ENGINE

RATED WATTAGE	2" (10W-15W), 3" (10W-25W), 5" (10W-35W)
DELIVERED LUMENS	Up to: 2" 947 lm, 3" 2107 lm, 5" 2569 lm
CCT/CRI	2700K 90CRI, 3000K 90CRI, 3500K 90CRI, 4000K 90CRI
COLOR QUALITY	2700K-4000K 90+ CRI, 2-Step SDCM

#### SILENT VU™ OPTICS TECHNOLOGY

OPTICS	10°, 30°, 50°, 80° Available
ADJUSTABLE	Non Adjustable

#### POWER SUPPLY

INPUT VOLTAGE	120/277V, 50/60Hz
DIMMING	Multiple Dimming Drivers Available
SERVICABILITY	Driver Field Serviceable

SIZE	MAX POWER	2700K 90CRI	3000K 90CRI	3500K 90CRI	4000K 80CRI
2 Inch	15W	821	880	947	947
3 Inch	25W	1716	1838	1975	2107
5 Inch	35W	2265	2401	2401	2569

#### POWER MULTIPLIER CHART

SIZE	10W	15W	20W	25W	30W	35W
2 Inch	0.69	1.00				
3 Inch	0.45	0.69	0.83	1.00		
5 Inch	0.34	0.05	0.61	0.73	0.81	1.00

#### STANDARD FINISH

WT (Semi Gloss White)  MB (Matte Black)

- All custom finishes available (see finishes sample page)

#### MOUNTING

- 5" x 1 1/2" canopy included with standard universal dim driver (7 1/8" x 2 1/4" canopy included with Lutron, EldoLED and DMX Driver options)
- 4' of stem included; (1) 6", (2) 12" & (1) 18" (includes couplers)

#### LISTING / WARRANTY

- UL Listed to US and Canadian standards for damp locations
- Five (5) year limited warranty





CYLINDERS

**CYLINDER (Adjustable Pendant)  
2", 3", 5" LED DOWNLIGHT  
(Round Twist)**

PROJECT: \_\_\_\_\_

TYPE: \_\_\_\_\_

NOTE: \_\_\_\_\_

SPEC-00226 LP-TWIST 2" 3" 5", V-0.01, UPDATED 01/03/24

LP2-TWIST, LP3-TWIST, LP5-TWIST

**2" ADJUSTABLE PENDANT ORDER MATRIX**

**2" ADJUSTABLE CYLINDER LED PENDANT (EXAMPLE: LP2-TWIST-10-35-10-BK-4-S)**

SHAPE	WATTAGE	CCT/CRI	OPTIC	STANDARD FINISH	
LP2-TWIST 2" Round Twist Adjustable Pendant Downlight	-10 (10W)	-27 (2700K 90CRI)	-10 (10° Spot)	-WT (Semi Gloss White)	
	-15 (15W)	-30 (3000K 90CRI)	-30 (30° Narrow Flood)	-MB (Matte Black)	
		-35 (3500K 90CRI)	-50 (50° Flood)	<b>COLOR FINISH</b> -ABL (Aegean Blue)      -PNC (Painted Natural Copper) -BB (Burnished Bronze)      -RD (Red) -BK (Gloss Black)      -SGR (Sage Green) -BLU (Blue)      -SND (Sand) -DVG (Dove Gray)      -SS (Satin Silver) -FLG (Flannel Gray)      -TBZ (Textured Bronze) -GA (Galvanized)      -TGP (Textured Graphite) -GWT (Gloss White)      -TNG (Tangerine) -LG (Lime Green)      -TTL (Tahitian Teal) -MBL (Midnight Blue)      -YEL (Yellow) -PNA (Painted Natural Aluminum)	
		-40 (4000K 80CRI)	-80 (80° Wide Flood)		
STANDARD DRIVER	REV	STANDARD DRIVER		CANOPY	
(Blank) (No Coating)	-4	-S <sup>2</sup> (Universal Dim Driver: 1%-100% 0-10V, TRIAC, ELV, 120V/277V)		(Blank) (Standard Canopy)	
-C (Coating)		<b>ALTERNATIVE DRIVER</b>		-CC1 <sup>3</sup> (Conduit 3/4 Canopy)	
		-L3 <sup>1</sup> (Lutron Dim Driver: 1%-100% EcoSystem, 120V/277V) -EL1 <sup>1</sup> (EldoLED DALI Dim: 1%-100% DALI, 120V/277V) -EL2 <sup>1</sup> (EldoLED Dim: 0.1%-100% 0-10V, 120V/277V) -DMX <sup>1</sup> (DMX Dim: 1%-100% DMX, 120V/277V)		-CC2 <sup>3</sup> (Conduit 37/8 Canopy)	

1. Includes large canopy  
2. Forward and reverse dimming at 120V only

3. CC1 and CC2 only for S driver option

**ACCESSORIES (2" ADJUSTABLE CYLINDER)**

OPTIC	
<b>EDLM-10-OPTIC-3</b>	(10° Spot)
<b>EDLM-30-OPTIC-3</b>	(30° Narrow Flood)
<b>EDLM-50-OPTIC-3</b>	(50° Flood)
<b>EDLM-80-OPTIC-3</b>	(80° Wide Flood)

**EMERGENCY**

DRIVER	
<b>EM-1000</b>	(25W Remote Inverter)
<b>EM-1002</b>	(10W Remote EM Driver)
<b>EM-1003-CA</b>	(35W Remote Inverter) Title 20
<b>EM-1004</b>	(50W Remote Inverter)
<b>EM-1006</b>	(25W Remote Inverter) Title 20



CYLINDERS

# CYLINDER (Adjustable Pendant) 2", 3", 5" LED DOWNLIGHT (Round Twist)

PROJECT: \_\_\_\_\_

TYPE: \_\_\_\_\_

NOTE: \_\_\_\_\_

SPEC-00226 LP-TWIST 2" 3" 5", V-0.01, UPDATED 01/03/24

LP2-TWIST, LP3-TWIST, LP5-TWIST

## 3" ADJUSTABLE PENDANT ORDER MATRIX

### 3" ADJUSTABLE CYLINDER LED PENDANT (EXAMPLE: LP3-TWIST-10-35-10-BK-5-S)

SHAPE	WATTAGE	CCT/CRI	OPTIC	STANDARD FINISH	
LP3-TWIST 3" Round Twist Adjustable Pendant Downlight	-10 (10W)	-27 (2700K 90CRI)	-10 (10° Spot)	-WT (Semi Gloss White)	
	-15 (15W)	-30 (3000K 90CRI)	-30 (30° Narrow Flood)	-MB (Matte Black)	
	-20 (20W)	-35 (3500K 90CRI)	-50 (50° Flood)	COLOR FINISH	
	-25 (25W)	-40 (4000K 80CRI)	-80 (80° Wide Flood)	-ABL (Aegean Blue)	-PNC (Painted Natural Copper)
				-BB (Burnished Bronze)	-RD (Red)
			-BK (Gloss Black)	-SGR (Sage Green)	
			-BLU (Blue)	-SND (Sand)	
			-DVG (Dove Gray)	-SS (Satin Silver)	
			-FLG (Flannel Gray)	-TBZ (Textured Bronze)	
			-GA (Galvanized)	-TGP (Textured Graphite)	
			-GWT (Gloss White)	-TNG (Tangerine)	
			-LG (Lime Green)	-TTL (Tahitian Teal)	
			-MBL (Midnight Blue)	-YEL (Yellow)	
			-PNA (Painted Natural Aluminum)		
STANDARD DRIVER	REV	STANDARD DRIVER		CANOPY	
(Blank) (No Coating)	-5	-S <sup>2</sup> (Universal Dim Driver: 1%-100% 0-10V, TRIAC, ELV, 120V/277V)		(Blank) (Standard Canopy)	
-C (Coating)		ALTERNATIVE DRIVER		-CC1 <sup>3</sup> (Conduit 3/4 Canopy)	
		-L3 <sup>1</sup> (Lutron Dim Driver: 1%-100% EcoSystem, 120V/277V)		-CC2 <sup>3</sup> (Conduit 3 7/8 Canopy)	
		-EL1 <sup>1</sup> (EldoLED DALI Dim: 1%-100% DALI, 120V/277V)			
		-EL2 <sup>1</sup> (EldoLED Dim: 0.1%-100% 0-10V, 120V/277V)			
		-DMX <sup>1</sup> (DMX Dim: 1%-100% DMX, 120V/277V)			

1. Includes large canopy  
2. Forward and reverse dimming at 120V only

3. CC1 and CC2 only for S driver option

### ACCESSORIES (2" ADJUSTABLE CYLINDER)

OPTIC	
<b>EDLM-10-OPTIC-5</b>	(10° Spot)
<b>EDLM-30-OPTIC-4</b>	(30° Narrow Flood)
<b>EDLM-50-OPTIC-4</b>	(50° Flood)
<b>EDLM-80-OPTIC-4</b>	(80° Wide Flood)

### EMERGENCY

DRIVER	
<b>EM-1000</b>	(25W Remote Inverter)
<b>EM-1002</b>	(10W Remote EM Driver)
<b>EM-1003-CA</b>	(35W Remote Inverter) Title 20
<b>EM-1004</b>	(50W Remote Inverter)
<b>EM-1006</b>	(25W Remote Inverter) Title 20



CYLINDERS

**CYLINDER (Adjustable Pendant)  
2", 3", 5" LED DOWNLIGHT  
(Round Twist)**

PROJECT: \_\_\_\_\_

TYPE: \_\_\_\_\_

NOTE: \_\_\_\_\_

SPEC-00226 LP-TWIST 2" 3" 5", V-0.01, UPDATED 01/03/24

LP2-TWIST, LP3-TWIST, LP5-TWIST

**5" ADJUSTABLE PENDANT ORDER MATRIX**

**5" ADJUSTABLE CYLINDER LED PENDANT (EXAMPLE: LP5-TWIST-10-35-10-BK-2-S)**

SHAPE	WATTAGE	CCT/CRI	OPTIC	STANDARD FINISH	
LP5-TWIST 5" Round Twist Adjustable Pendant Downlight	-10 (10W)	-27 (2700K 90CRI)	-10 (10° Spot)	-WT (Semi Gloss White)	
	-15 (15W)	-30 (3000K 90CRI)	-30 (30° Narrow Flood)	-MB (Matte Black)	
	-20 (20W)	-35 (3500K 90CRI)	-50 (50° Flood)	COLOR FINISH	
	-25 (25W)	-40 (4000K 80CRI)	-80 (80° Wide Flood)	-ABL (Aegean Blue)	-PNC (Painted Natural Copper)
	-30 (30W)			-BB (Burnished Bronze)	-RD (Red)
	-35 (35W)			-BK (Gloss Black)	-SGR (Sage Green)
			-BLU (Blue)	-SND (Sand)	
			-DVG (Dove Gray)	-SS (Satin Silver)	
			-FLG (Flannel Gray)	-TBZ (Textured Bronze)	
			-GA (Galvanized)	-TGP (Textured Graphite)	
			-GWT (Gloss White)	-TNG (Tangerine)	
			-LG (Lime Green)	-TTL (Tahitian Teal)	
			-MBL (Midnight Blue)	-YEL (Yellow)	
			-PNA (Painted Natural Aluminum)		
STANDARD DRIVER	REV	STANDARD DRIVER		CANOPY	
(Blank) (No Coating)	-2	-S <sup>2</sup> (Universal Dim Driver: 1%-100% 0-10V, TRIAC, ELV, 120V/277V)		(Blank) (Standard Canopy)	
-C (Coating)		ALTERNATIVE DRIVER		-CC1 <sup>3</sup> (Conduit 3/4 Canopy)	
		-L3 <sup>1</sup> (Lutron Dim Driver: 1%-100% EcoSystem, 120V/277V)		-CC2 <sup>3</sup> (Conduit 37/8 Canopy)	
		-EL1 <sup>1</sup> (EldoLED DALI Dim: 1%-100% DALI, 120V/277V)			
		-EL2 <sup>1</sup> (EldoLED Dim: 0.1%-100% 0-10V, 120V/277V)			
		-DMX <sup>1</sup> (DMX Dim: 1%-100% DMX, 120V/277V)			

1. Includes large canopy  
2. Forward and reverse dimming at 120V only

3. CC1 and CC2 only for S driver option

**ACCESSORIES (2" ADJUSTABLE CYLINDER)**

OPTIC	
<b>EDLM-10-OPTIC-1</b>	(10° Spot)
<b>EDLM-30-OPTIC-1</b>	(30° Narrow Flood)
<b>EDLM-50-OPTIC-1</b>	(50° Flood)
<b>EDLM-80-OPTIC-1</b>	(80° Wide Flood)

**EMERGENCY**

DRIVER	
<b>EM-1000</b>	(25W Remote Inverter)
<b>EM-1002</b>	(10W Remote EM Driver)
<b>EM-1003-CA</b>	(35W Remote Inverter) Title 20
<b>EM-1004</b>	(50W Remote Inverter)
<b>EM-1006</b>	(25W Remote Inverter) Title 20

**STANDARD FINISH**

(Stem Mount Shown)



**WT**

Semi Gloss White



**MB**

Matte Black

**COLOR FINISH**

(Stem Mount Shown)



**ABL**

Aegean Blue



**BB**

Burnished Bronze



**BK**

Gloss Black



**BLU**

Blue



**DVG**

Dove Gray



**FLG**

Flannel Gray



**GA**

Galvanized



**GWT**

Gloss White



**LG**

Lime Green



**MBL**

Midnight Blue



**PNA**

Painted Natural Aluminum



**PNC**

Painted Natural Copper



**RD**

Red



**SGR**

Sage Green



**SND**

Sand



**SS**

Satin Silver



**TBZ**

Textured Bronze



**TGP**

Textured Graphite



**TNG**

Tangerine



**TTL**

Tahitian Teal

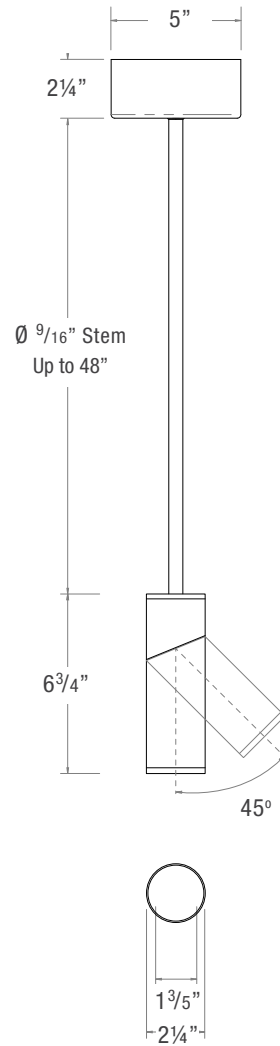


**YEL**

Yellow

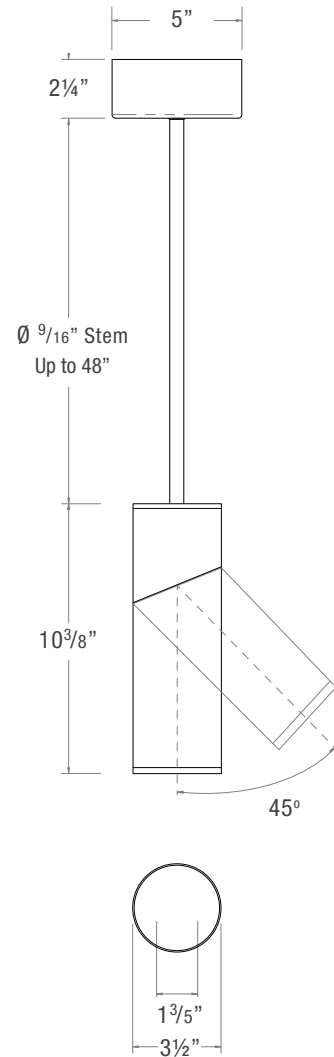
**2" ADJUSTABLE ROUND TWIST CYLINDER**

**LP2-TWIST (2" Round Twist Cylinder Downlight - Stem Mount)**



**3" ADJUSTABLE ROUND TWIST CYLINDER**

**LP3-TWIST (3" Round Twist Cylinder Downlight - Stem Mount)**



# CSL

## CYLINDERS

### CYLINDER (Adjustable Pendant) 2", 3", 5" LED DOWNLIGHT (Round Twist)

PROJECT: \_\_\_\_\_

TYPE: \_\_\_\_\_

NOTE: \_\_\_\_\_

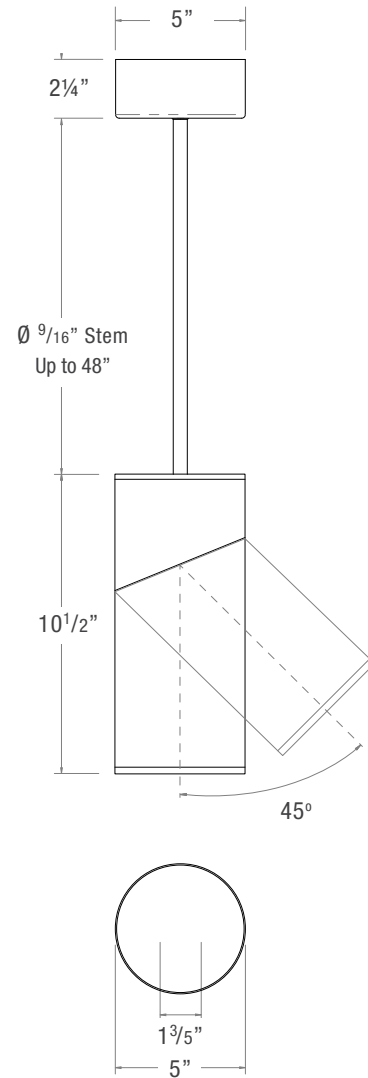
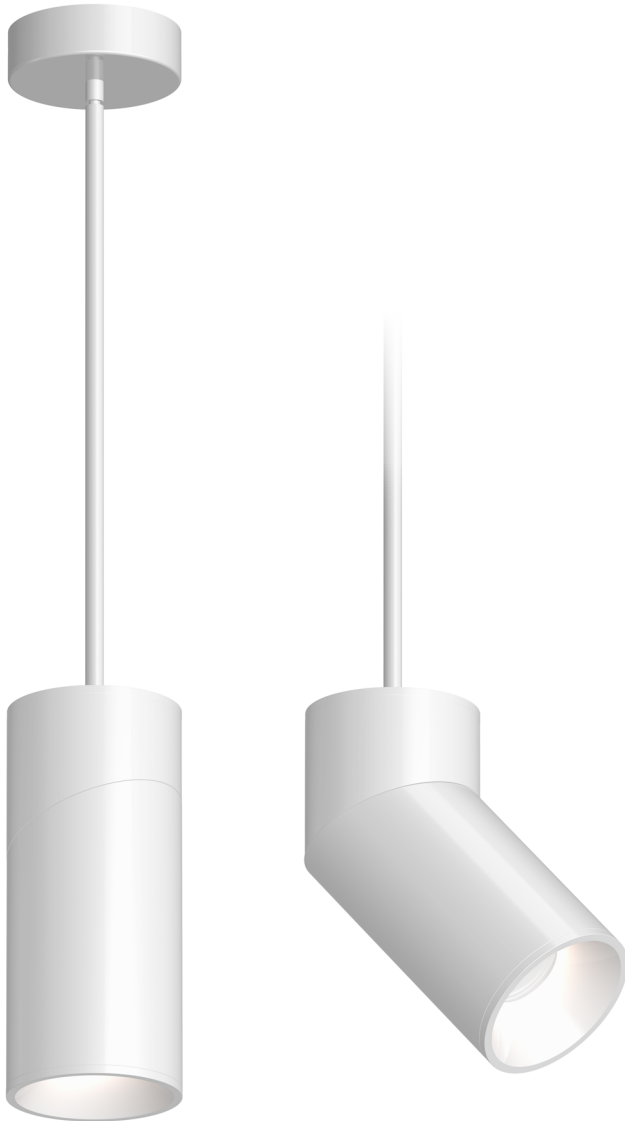
SPEC-00226 LP-TWIST 2" 3" 5", V-0.01,

UPDATED 01/03/24

LP2-TWIST, LP3-TWIST, LP5-TWIST

### 5" ADJUSTABLE ROUND TWIST CYLINDER

#### LP5-TWIST (5" Round Twist Cylinder Downlight - Stem Mount)





**DIMMING DRIVER COMPATIBILITY**

**DIMMER LIST**

"S" Standard Universal Dim			
Compatible Phase Cut Dimmer		Compatible 1-10V Dimmer	
Manufacturer	Product	Manufacturer	Product
Cooper	DAL06P	Leviton	IP740-DLZ
	DLC03P	Lightolier	ZP600FAM120
	SLC03P		V2000FAMU
Leviton	6161	Lutron	DVTV
	6631-2		NTFTV
	6633-P	Crestron	CLS-EXP-DIMFLV
	6673-10W		DIN-4DIMFLV4
	6683-IW		DIN-A08
	IPE04		GLX-DIMFLV8
	IPI06-1LZ		
	VPE06		
	Lightolier	ZP26QEW	
Lutron	CT103P		
	DV600P		
	DVCL-153P		
	DVEL303P		
	FAELV500		
	LG600P		
	MAELV600		
	S600P		
	S-603PG		
	SELV300P		
TG-600P			
	TGCL-153P		

**DIMMING DRIVER COMPATIBILITY**

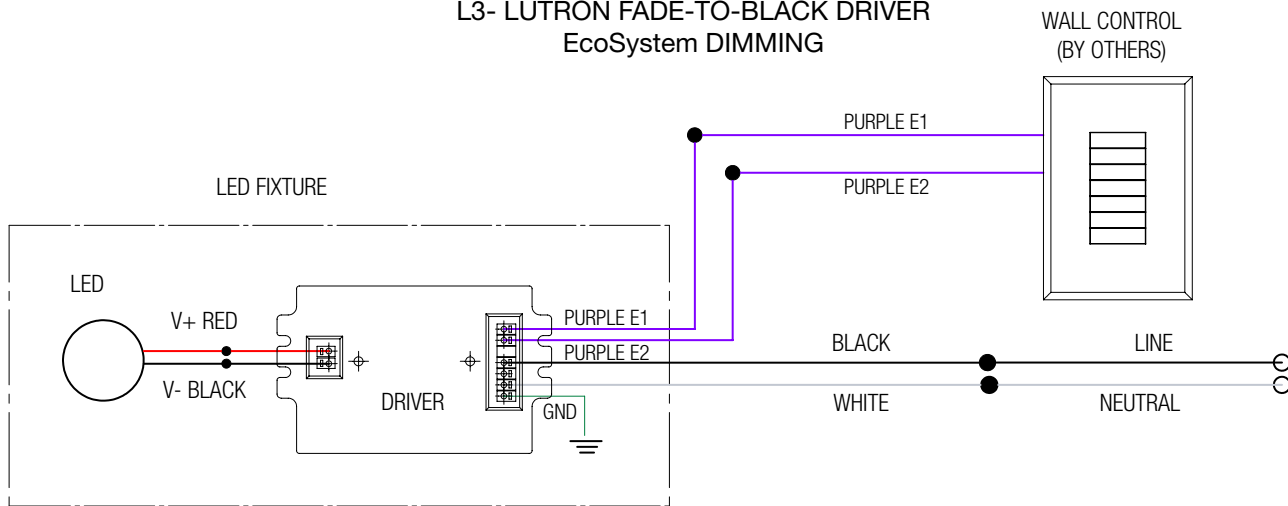
**DIMMER LIST**

"L3" Lutron Fade-to-Black	
Manufacturer	Product
Lutron	LQSE-2ECO-D
	RMJ-ECO32-DV-B
	FCJ/FCJS-ECO
	QSN-1ECO-S
	QSN-2ECO-S
	EcoSystem ESN
	Grafik Eye QS with EcoSystem
	Quantum

**NOTES:**

Wiring diagrams are examples of typical installations intended to illustrate the number of wires that must be run to fixture. These diagrams are not intended to specify all equipment necessary for a given dimming circuit. Refer to specific dimmer manufacturer's documentation for details.

**L3- LUTRON FADE-TO-BLACK DRIVER  
EcoSystem DIMMING**



**IMPORTANT SAFETY INSTRUCTIONS**

**- SAVE THESE INSTRUCTIONS**

1. Keep these instructions in a safe place for future reference.
2. Only qualified electricians in accordance to local codes should install these fixtures.
3. De-energize the electrical circuit at the circuit breaker prior to installation process or servicing.
4. Make sure all connections are in accordance with the National Electrical Code and any local regulations.
5. Cap any wires not used separately (not together).

**DIMMING DRIVER COMPATIBILITY**

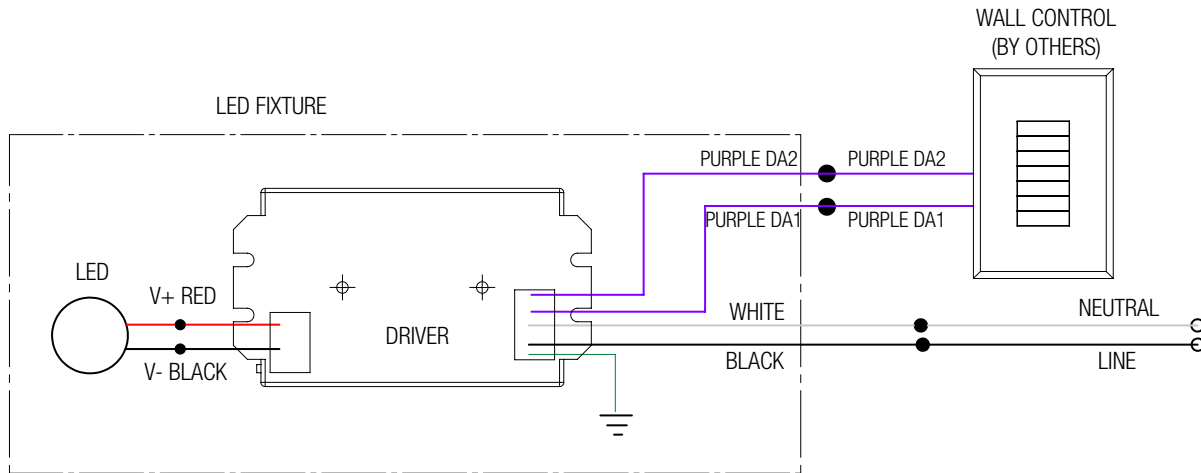
**DIMMER LIST**

"EL1" EldoLED DALI 1%	
Manufacturer	Product
	DALI Controls

**NOTES:**

Wiring diagrams are examples of typical installations intended to illustrate the number of wires that must be run to fixture. These diagrams are not intended to specify all equipment necessary for a given dimming circuit. Refer to specific dimmer manufacturer's documentation for details.

**EL1- EldoLED DRIVER  
DALI DIMMING**



**IMPORTANT SAFETY INSTRUCTIONS**

**- SAVE THESE INSTRUCTIONS**

1. Keep these instructions in a safe place for future reference.
2. Only qualified electricians in accordance to local codes should install these fixtures.
3. De-energize the electrical circuit at the circuit breaker prior to installation process or servicing.
4. Make sure all connections are in accordance with the National Electrical Code and any local regulations.
5. Cap any wires not used separately (not together).

**DIMMING DRIVER COMPATIBILITY**

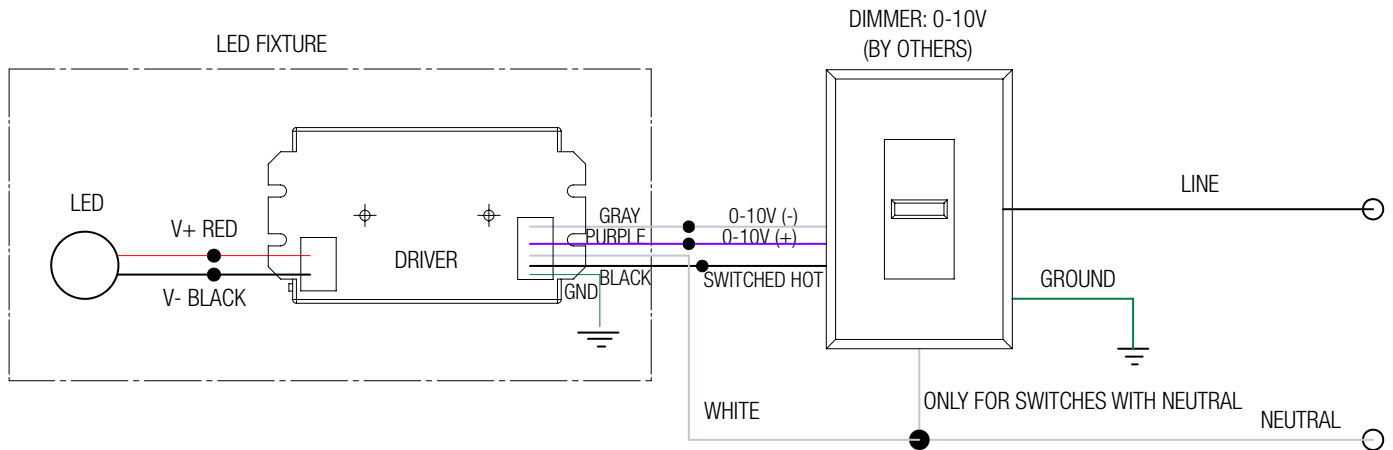
**DIMMER LIST**

"EL2" EldoLED 0-10V 1%	
Manufacturer	Product
Leviton	IP740-DLX
Lightolier	ZP600FAM120
Lutron	DVTV
	NTFTV
	NFTV
Crestron	CLS-EXP-DIMFLV
	DIN-4DIMFLV4
	DIN-A08
	GLX-DIMFLV8

**NOTES:**

Wiring diagrams are examples of typical installations intended to illustrate the number of wires that must be run to fixture. These diagrams are not intended to specify all equipment necessary for a given dimming circuit. Refer to specific dimmer manufacturer's documentation for details.

**EL2- EldoLED DRIVER  
0-10V DIMMING**



**IMPORTANT SAFETY INSTRUCTIONS**

**- SAVE THESE INSTRUCTIONS**

1. Keep these instructions in a safe place for future reference.
2. Only qualified electricians in accordance to local codes should install these fixtures.
3. De-energize the electrical circuit at the circuit breaker prior to installation process or servicing.
4. Make sure all connections are in accordance with the National Electrical Code and any local regulations.
5. Cap any wires not used separately (not together).

**DIMMING DRIVER COMPATIBILITY**

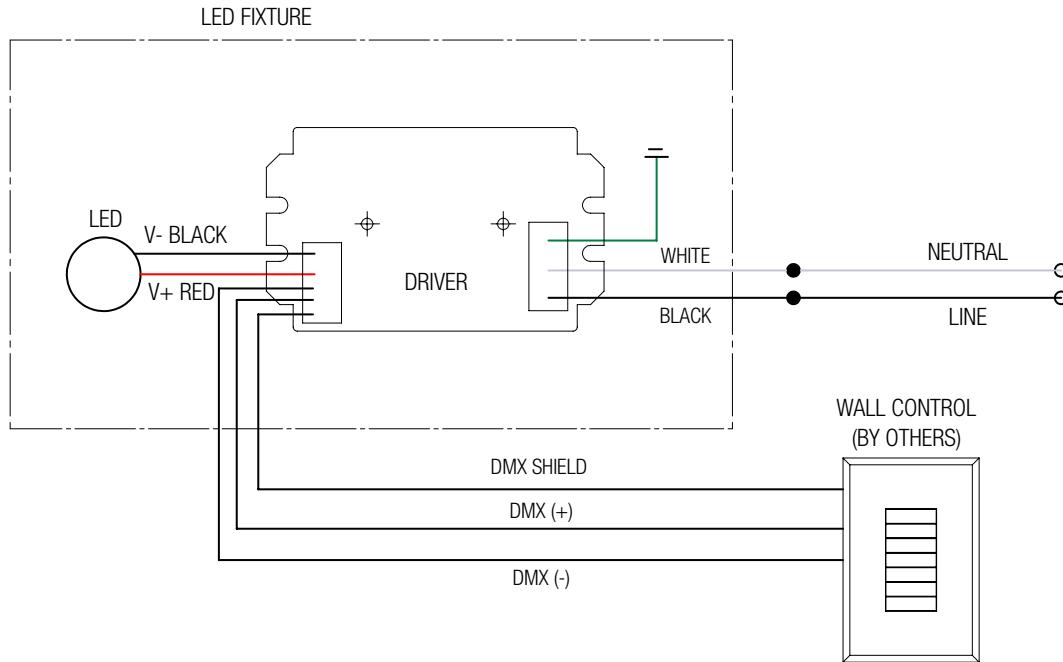
**DIMMER LIST**

"DMX" Moons	
Manufacturer	Product
	DMX Controls

**NOTES:**

Wiring diagrams are examples of typical installations intended to illustrate the number of wires that must be run to fixture. These diagrams are not intended to specify all equipment necessary for a given dimming circuit. Refer to specific dimmer manufacturer's documentation for details.

**DMX- MOONS DRIVER  
DMX DIMMING**



**IMPORTANT SAFETY INSTRUCTIONS**

**- SAVE THESE INSTRUCTIONS**

1. Keep these instructions in a safe place for future reference.
2. Only qualified electricians in accordance to local codes should install these fixtures.
3. De-energize the electrical circuit at the circuit breaker prior to installation process or servicing.
4. Make sure all connections are in accordance with the National Electrical Code and any local regulations.
5. Cap any wires not used separately (not together).